

INTRODUCTION

Thank you for purchasing this Da-Lite product. Before operating your screen, please read all instructions. Store this instruction book for future reference.

FOR YOUR SAFETY

This product has been designed with safety in mind. However inappropriate use of this product is dangerous and may cause personal injury. In order to prevent accidents, please follow the instructions below.

Inspect the product regularly.

Before you use the projection screen, make certain that all the parts such as the screen case, hook, upright bar, feet and lifting handle are not warped, loose, or damaged. Do not use if screen is out of order.

CAUTION

Avoid touching the screen films while raising or lowering of unit.

Do not set up the screen on an unstable or uneven surface. This may cause the screen to fall or tip over, resulting in damage to the screen or personal injury. Be especially careful when setting up where small children may be present. Do not let children operate or play with the screen.

Do not place the screen near any heating sources. Since the screen is made of a plastic material, it can be damaged by heat.

Do not disassemble the screen. This will void your warranty and may cause injury.

After the screen is set up, do not push or lean against the upright bar. Do not hang anything from the screen or the upright bar.

CARE OF SCREEN

Do not leave the screen in areas subject to high humidity and direct sunlight.

Keep the projection surface of the screen free from dirt and dust

If the screen becomes dirty, lightly wipe it off with soft cloth moistened in a mild solution of a mild neutral detergent and water. Benzine, thinner and other volatile agents can cause permanent damage to the screen and should never be used for cleaning.

Do not write on the screen film.

Do not set up the screen in areas subject to strong breeze. This may cause the screen to move and interfere with the quality of the projected image.

Before storing the screen, lock the release lever by rotating green knob. Do not carry the screen if the release lever and the green knob are not completely locked. Doing so may cause the screen case to slip off and discolor or damage the screen.

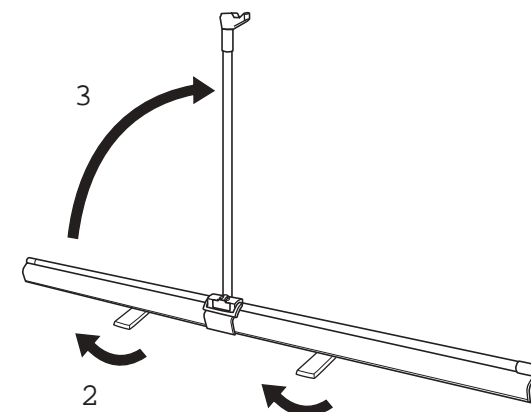
Operating Instructions

Setting up the screen

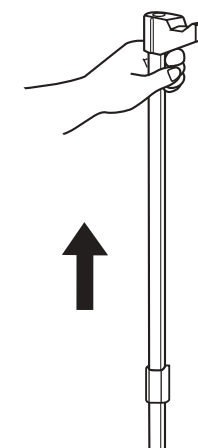
1 Determine where to set up the screen.

2 Rotate feet at the bottom of the case so they are perpendicular to the case.

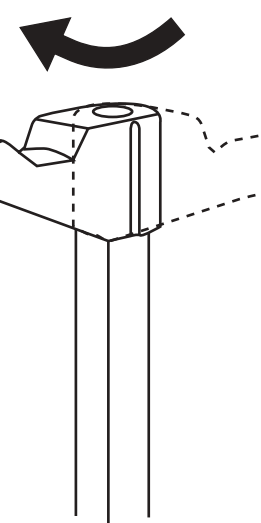
3 Rotate the upright bar 90 degrees vertically until it clicks.



4 Raise the telescopic upright bar (small) to the desired height.

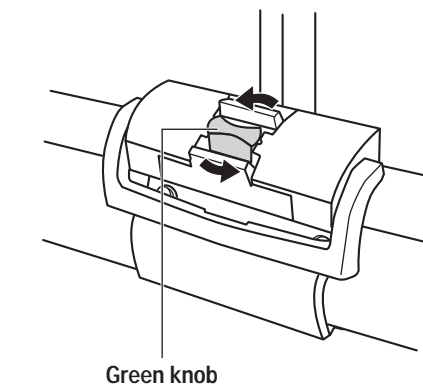


5 Raise the telescopic upright bar (medium) to the desired height. The height can be adjusted to 4 different levels.



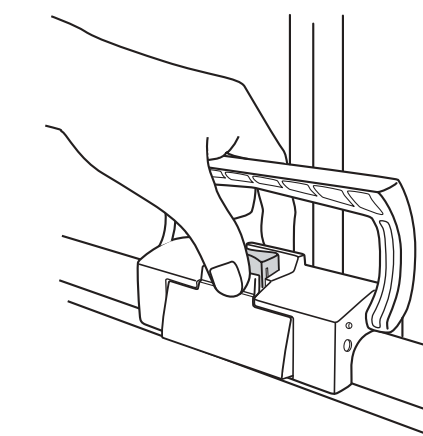
6 Rotate the hook at the top of the upright bar 90 degrees horizontally.

7 Unlock the release lever by rotating the green knob 90 degrees.



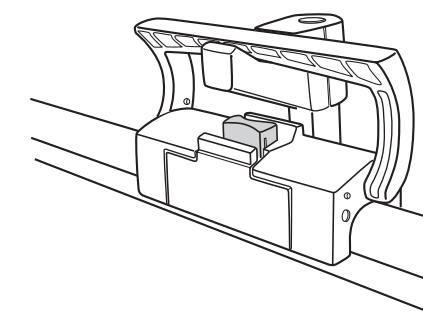
Green knob

8 Raise the screen by grasping the lifting handle while simultaneously squeezing the release latches.



9 Anchor the lifting handle on the upright hook.

Make sure that the notch of the handle is firmly on the hook.



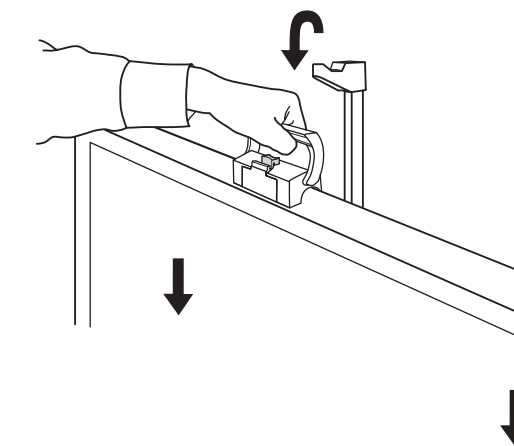
Storing the screen

1 Remove the lifting handle from the hook.

2 Grasp the lifting handle, lower the screen, and allow it to retract into the case.

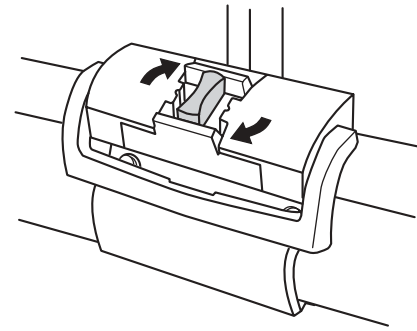
Lower the screen, as straight as possible, until it clicks and the screen is completely stowed and locked in the case.

Do not carry the product while the screen is not completely stowed and locked. Doing so may cause the case to accidentally slip off and discolor or damage the product.

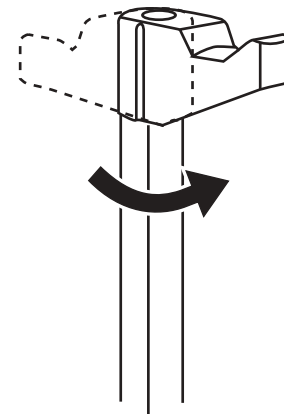


3 Lock green knob by rotating it 90 degrees.

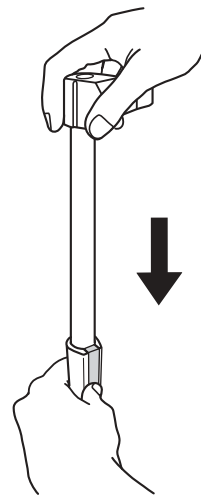
Do not carry the product while the green knob is not completely set. Doing so may cause the case to accidentally slip off and discolor or damage the screen.



4 Rotate the hook at the top of the upright bar 90 degrees.



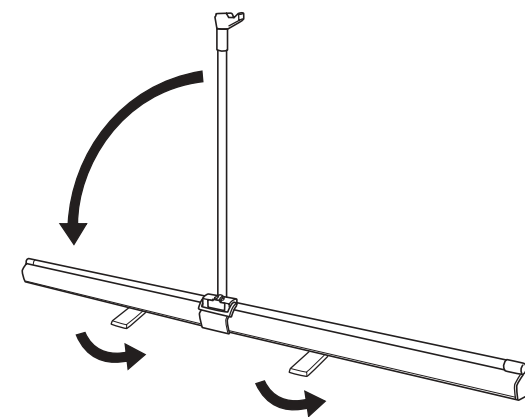
5 Press the green release tab at the base of the medium upright bar and push down until retracted. (small and medium)



6 Rotate upright bar 90 degrees into a horizontal position

Hold the upright bar firmly to keep it from falling over accidentally.

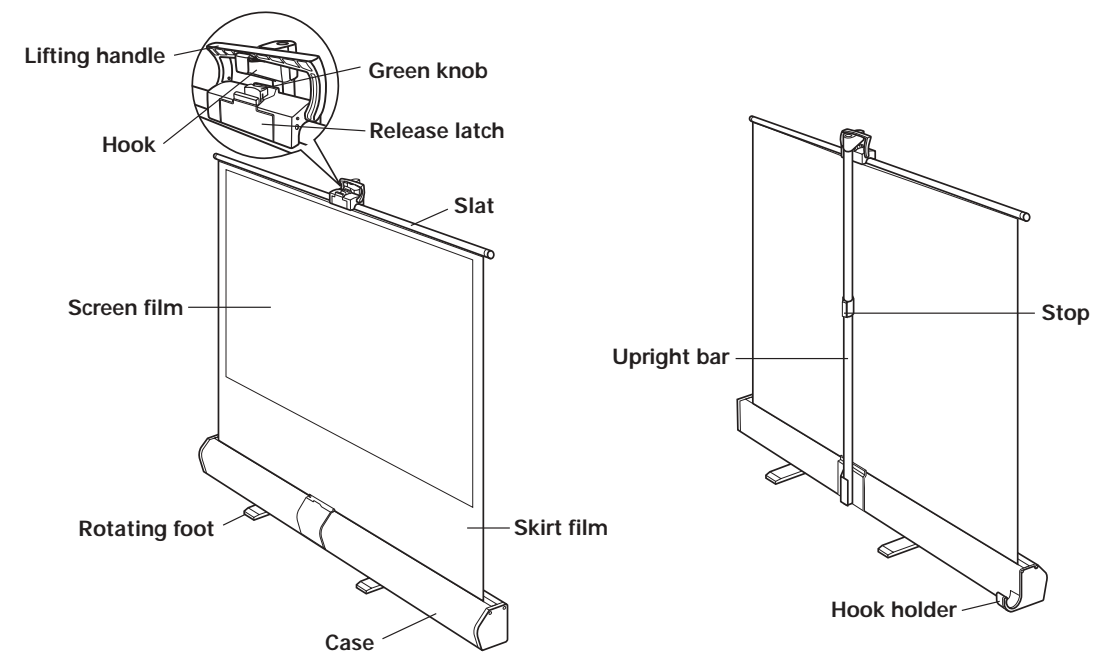
Pull down the upright bar gently until it is locked its holder.



7 Rotate the feet horizontally until they are aligned with the screen case.

Specifications

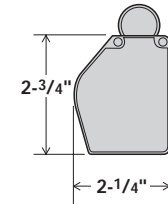
Parts identification



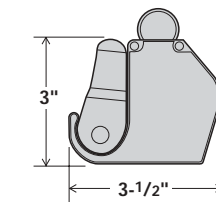
Specifications

Weight : 60" 7.75 Lbs.
80" 10.00 Lbs.

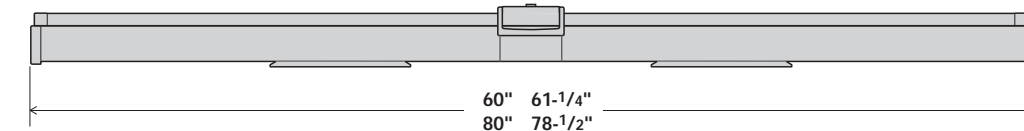
Right side



Left side



In the harvesting



The POWER In PRESENTATION PRODUCTS



Instruction Book for THEATER-LITE



DA-LITE SCREEN COMPANY, INC.
3100 North Detroit Street
Post Office Box 137
Warsaw, Indiana 46581-0137
Phone: 574/267-8101
800-622-3737
Fax: 574/267-7804
[http:// www.da-lite.com](http://www.da-lite.com)
e-mail: info@da-lite.com