

# PROFESSIONAL PROJECTOR | SH960

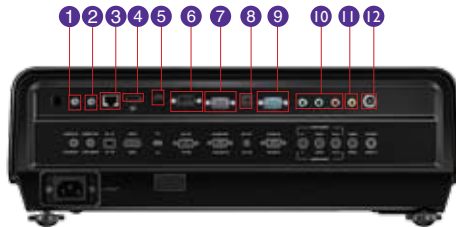


## Features

- Native Full HD (1920x1080) Resolution
- 5500 ANSI Lumens, 3000:1 Contrast Ratio
- Dual Lamp Design
- H+V Lens Shift; 1.5x Zoom Ratio; 2D Keystone
- HDMI x1, RJ45 (LAN Control)
- Speaker: 5W x 2 (Amp 4W)



## Input and Output Terminals



- |                         |                               |
|-------------------------|-------------------------------|
| 1 Audio In (Mini Jack)  | 7 Monitor Out (D-sub 15pin)   |
| 2 Audio Out (Mini Jack) | 8 DC 12V Trigger (3.5mm)      |
| 3 LAN (RJ45)            | 9 Computer In (D-sub 15pin)   |
| 4 HDMI (v1.3)           | 10 Component Video In         |
| 5 USB Mini B            | 11 Composite Video In (RCA)   |
| 6 RS232 (DB-9pin)       | 12 S-Video In (Mini DIN 4pin) |

## Specifications

PRO A/V

Projection System	DLP
Native Resolution	1080p (1920 x 1080)
Brightness	5500 ANSI Lumens
Contrast Ratio	3000:1 (Full on/Full off)
Display Color	Full 1.07 Billion Colors Palette
Lens	F= 2.48~2.81, f= 24.1~36.15mm
Aspect Ratio	Native 16:9 (5 aspect ratio selectable)
Throw Ratio	1.62 ~2.43 (55.7" @ 6.6 Feet)
Image Size Diagonal	28" ~ 500"
Zoom Ratio	1.5x
Lamp Type	Philips UHP 330W x2
Lamp Life (Normal/Eco Mode)	2000/3000 hours
Keystone Adjustment	2D, Vertical & Horizontal +/- 30 degrees
Projection Offset	V=125%±5%, H=40%±5%
Resolution Support	VGA (640x480) to WUXGA (1920x1200)
Horizontal Frequency	31-92 kHz
Vertical Scan Rate	23-85 Hz
HDTV Compatibility	480i, 480p, 576i, 576p, 720p, 1080i, 1080p
Video Compatibility	NTSC, PAL, SECAM, PAL 60
Interface	Computer In (D-Sub 15pin) x1 Monitor Out (D-Sub 15 pin) x1 HDMI (v1.3) x1 Composite Video In (RCA) x1 S-Video In (Mini DIN 4pin) x1 Component Video in x1 (Shared with D-sub 15pin) Audio In (Mini Jack) x1 Audio Out (Mini Jack) x1 USB (Type Mini-B) x1 (Download) Speaker 5W x 2 (Amp. 4W) LAN (RJ45) x1 (LAN Control) DC 12V Trigger (3.5mm Jack) X1 RS232 (DB-9-pin) x1
Dimensions (WxHxD)	17.44" x 13.98" x 6.57" (443 x 355 x 167 mm)
Weight	≤29 lbs (13 kgs)
Power Supply	AC 100 to 240 V, 50/60 Hz
Power Consumption	857W (Typical), Standby <1W
Audible Noise	41/37/38/35 dBA (2 Lamp Normal/2 Lamp Eco/1 Lamp Normal/1 Lamp Eco)
On-Screen Display Languages	English/ France/ Germany/ Italian/ Spanish/ Russian/ Traditional English/ France/ Germany/ Italian/ Spanish/ Russian/ Traditional Chinese/ Simplified Chinese/ Japanese/ Korean/ Swedish/ Dutch/ Turkish/ Czech/ Portuguese/ Thai/ Polish/ Hungarian/ Croatian/ Romanian/ Norwegian/ Danish/ Bulgaria/ Finnish/ Indonesian/ Greek/ Hindi/ Arabic (28 Languages)
Picture Mode	Cinema/Dynamic/Presentation/sRGB/User 1/User 2
Accessories (Standard)	Remote Control w/ Battery, Power Cord, User Manual CD, Quick Start Guide, Warranty Card, VGA (D-sub 15 pin) Cable
Accessories (Optional)	Universal Ceiling Mount: P/N: 5J.J2K01.001 Spare Lamp Kit #1 P/N: 5J.J4L05.001, #2 P/N: 5J.J4L05.021

\*Lamp life results will vary depending on environmental conditions and usage.

SH960-7/19/11-US



BenQ America Corp.  
15375 Barranca Parkway, Suite A-205, Irvine, CA 92618 ☎ Tel: (949) 255-9500 🌐 www.BenQ.us

BenQ is a registered trademark of BenQ Corp. DLP is a registered trademark of Texas Instruments. All rights reserved. Corporate and trademarks are the property of their respective companies. Specifications subject to change without notice.



Enjoyment Matters

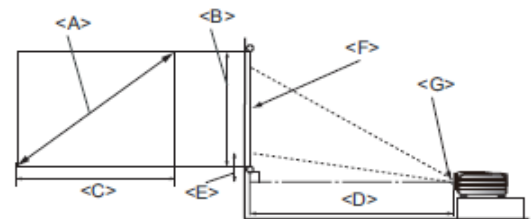
# SH960 Digital Projector

## Distance Chart

■ The screen aspect ratio is 16:9 and the projected picture is 16:9

Screen dimensions			Projection distance <D> [cm]			Lowest/ Highest lens position <E> [cm]
Diagonal <A> [inch (mm)]	Height <B> [cm]	Width <C> [cm]	Min distance (with max zoom)	Average	Max distance (with min zoom)	
30 (762)	37	66	108	135	162	4.7
40 (1016)	50	89	144	180	215	6
50 (1270)	62	111	180	224	269	8
60 (1524)	75	133	215	269	323	9
70 (1778)	87	155	251	314	377	11
80 (2032)	100	177	287	359	431	12
90 (2286)	112	199	323	404	485	14
100 (2540)	125	221	359	449	539	16
110 (2794)	137	243	495	494	592	17
120 (3048)	149	266	431	539	646	19
130 (3302)	162	288	467	583	700	20
140 (3556)	174	310	503	628	754	22
150 (3810)	187	332	539	673	808	23
160 (4064)	199	354	575	718	862	25
170 (4318)	212	376	610	763	916	26
180 (4572)	224	398	646	808	969	28
190 (4826)	237	421	682	853	1023	30
200 (5080)	249	443	718	898	1077	31
250 (6350)	311	553	898	1122	1346	39
300 (7620)	374	664	1077	1346	1616	47

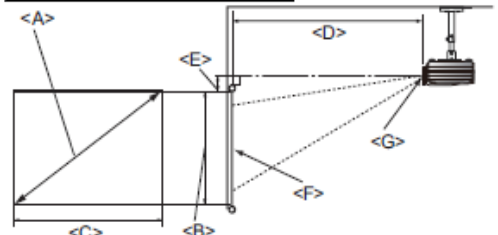
### Floor Installation



<F>: Screen

<G>: Center of lens

### Ceiling Installation

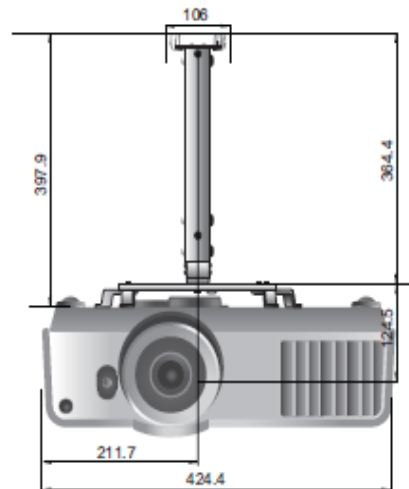
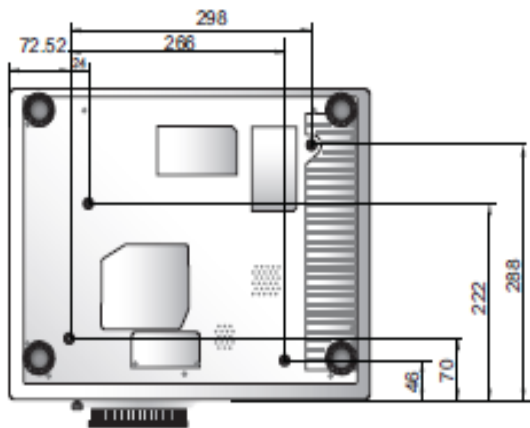


<F>: Screen

<G>: Center of lens

## Ceiling Mount Chart

Ceiling Mount Screws  
M6 x 8 (Max. L-8 mm)



## Dimensions

