

DRAPER

www.draperinc.com
draper@draperinc.com

411 South Pearl St.
Spiceland, Indiana
U.S.A. 47385-0425
Tel. 765/987-7999
Fax 765/987-7142

SP-KSM

3-Pos. Key Switch (Momentary)

Technical Data Sheet

USES: The SP-KSM replaces the standard 3-position key switch (KS-3) where a momentary (spring-loaded) action is required. It combines the directional functions (Up and Down) with the security of a key switch. It can be used as a single- or multiple-station control.

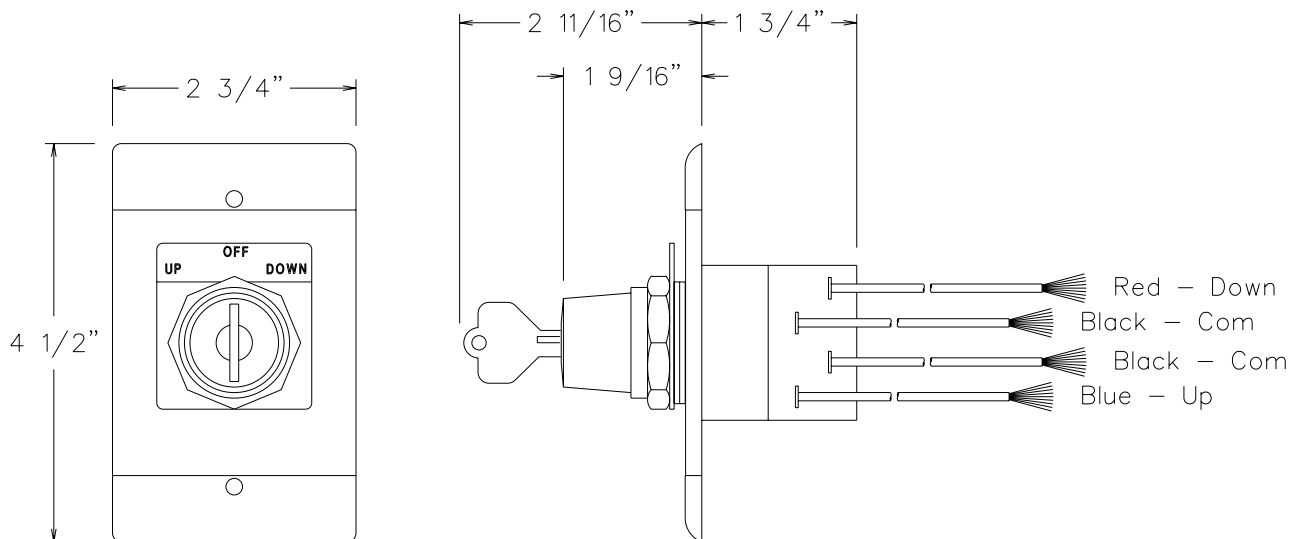
COMPATIBILITY: SP-KSM can be used in multiples, for either high- or low-voltage systems. LVC III (low voltage module) can be triggered by SP-KSM (Stop doesn't work). LVC-S (low voltage switch) can be used in conjunction with SP-KSM. KS-1 Power Supply Key Switch.

CONTACTS: Two cam-operated Single-Pole, Single-Throw contact blocks (On-Off), wired to emulate Single-Pole, Double-Throw, Center Off (On-Off-On). Momentary action.

RATING: 600 Volts, UL recognized, CSA recognized.

DESCRIPTION: 3-position key operator, momentary action.
Cover plate is stainless steel.
Four 6" wire leads: black, black, red and blue (2 commons, down and up).
2-3/4" x 4-1/2" cover plate fits a single-gang box.

ILLUSTRATION:



ISSUED: 5-12-98