

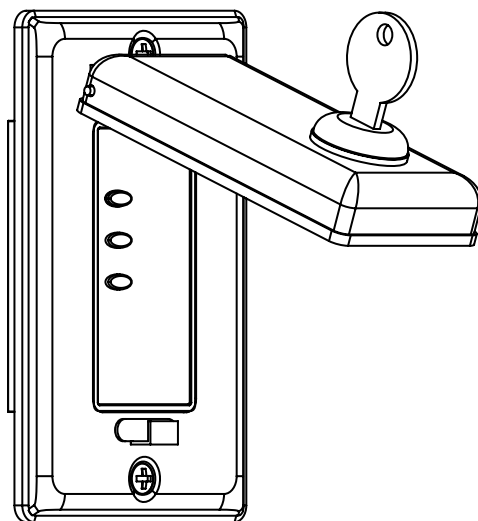
## Technical Data Sheet

# LVC-S with Locking Cover Plate—Low Voltage Control Switch By Draper

- USES:** Up, Down and Stop control of a low voltage controller via wall switch.
- COMPATIBILITY\*:** The LVC-S with Locking Cover Plate can be used with built-in low voltage controllers or the MC1. Other controls may be connected simultaneously:
- a. WRT/R radio frequency remote control package, and
  - b. IRT/R infrared remote control package.
  - c. LVC-S low voltage control switch.
  - d. LVC-SL LED low voltage control switch.
  - e. Multiple LVC-Ss may be used to control one built-in Low Voltage Control or MC1.
  - f. Auxiliary control systems employing momentary “dry” contacts.
  - g. SP-KSM 3-position momentary key switch (beware: Stop won’t work).
- CONTACTS:** Three individual Single Pole, Single Throw contacts (On/Off). Momentary action. Latching contacts are part of the LVC-III and MC1.
- RATING:** 10V 25mA
- DESCRIPTION:** The LVC-S with Locking Cover Plate is a 3-button (Up, Stop, Down) wall switch which controls a motor with a built-in low voltage controller or an MC1. The buttons are oval. The locking cover plate is metal, and provided with a lock and key. It fits a single-gang box. There are no wire leads: there are screw terminals on the back for Down, Common, and Up.

***\*Please Note: when using the LVC-S with Locking Cover Plate to control an ILT or ILT Quiet Motor, you must adjust limits with the switch provided with the screen. Once the limits are adjusted using the standard switch, you may disconnect that switch and connect the LVC-S with Locking Cover Plate.***

### ILLUSTRATION:



# DRAPER

411 S. Pearl St., Spiceland, IN 47385 USA ■ 765-987-7999  
www.draperinc.com ■ fax 765-987-7142

Copyright ©2007 Draper Inc. Form LVC-S-LCP\_TechDataSheet07 Printed in U.S.A.