

8406

ImagePro 8406 Portable DLP Projector



The ImagePro 8406 is a bright (3500 lumens) versatile DLP projector with Brilliant Color™ and HDTV compatible

8406 FEATURES

- 3500 lumen brightness
- XGA resolution (1024 X 768)
- Brilliant Color™ DLP Technology
- Filter Free Design
- Contrast ratio of 2500 to 1
- Lamp life of 3000/4000 hours
- HDTV ready, HDMI input
- Audio pass-through for volume control when operating
- Dukane 5-Year Warranty
- Control, diagnosis and email alerts over the network, RJ-45 port

THE ALL NEW
DUKANE
Education. Presentation. Inspiration.



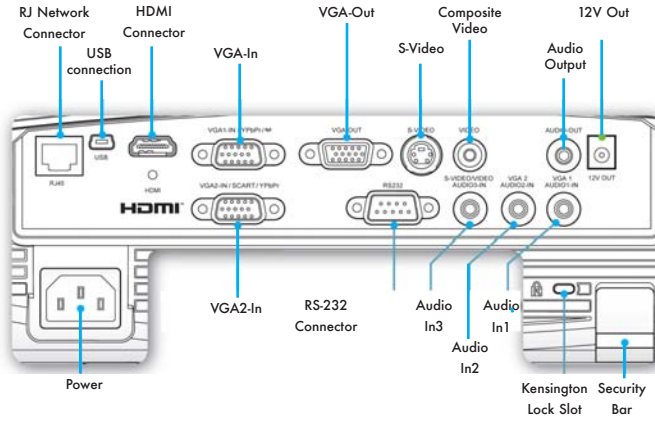
Convey by Dukane delivers control of classroom audio visual assets in sync with our Convey AClick Student Response System. Experience tomorrow's classroom today with Convey. Visit www.conveyclassrooms.com.

Toll-free: 866-280-4298 • Web: www.dukane.com/av
Fax: 630-584-5156 • E-mail: avsales@dukane.com

Call Dukane: 866.280.4298

ImagePro 8406 Portable DLP projector

Back Panel Connections



FEATURES

- XGA (1024 x 768) resolution
- 3500 ANSI lumens of brightness
- 2500:1 contrast ratio
- Status, control and maintenance over the network
- 5 Watt X 2 Speakers
- Brilliant color images
- Vertical keystone correction
- Only 6.4 lbs.
- No filter to service
- Easy lamp replacement through top door
- Controllable remotely
- Lamp life of 3000/4000 hours
- 5-Year Warranty

8406 Projection Table

Image Size 4:3		Throw Distance	
Diagonal	Width	Min.	Max.
Inches	Inches	Feet	Feet
40	32	5.2	5.7
60	48	7.8	8.6
80	64	10.4	11.5
100	80	13.0	14.3
120	96	15.6	17.4

Throw Ratio (distance to width): 1.95 2.15

THE ALL NEW
DUKANE
Education. Presentation. Inspiration.

Audio Visual Products
2900 Dukane Drive
St. Charles, Illinois 60174
Toll-free: 866.280.4298
Fax: 630-584-5156
E-mail: avsales@dukane.com
Web: www.dukane.com/av



Specifications

Image Element 0.55" DND DLP "Brilliant Color"
Brightness 3500 ANSI lumens (2100 econo mode)
Resolution 1024 x 768 pixels (H X V), XGA
Contrast 2,500:1
Scanning Frequency fh 15-91 kHz, fv 25-85 Hz
Lens Manual zoom, 1.2X

Lens Throw Ratio 1.95 - 2.15 throw distance to image width
Keystone Correction Digital vertical +/-40°
Aspect Ratio 4:3 native, 16:9 selectable
Computer VGA, SVGA, XGA, SXGA, UXGA
Compatibility Mac 13", Mac 16"

Video Compatibility NTSC, PAL, PAL-M
SECAM, HDTV1080i/p, 720p, 480i/p,

Closed Caption CC1, CC2
Projection Modes Front/rear/ceiling
Color Reproduction 1.07 billion colors
Lamp 230W P-VIP
Lamp Life 3000 hours (4000 hours econo mode)
Audio Two 5 watt speakers
Throw Distance 4 to 33'
Screen Size, diagonal 30" to 300"

Inputs, Video (1) S-video, Min DIN 4-pin,
(1) Composite video, RCA x 1
(1) Audio, Stereo, Mini jack
Inputs, Computer (2) RGB Signal: D-sub, 15 pin,
component, video shared
(1) HDMI
(2) Audio, Stereo mini jack

LAN Connection (1) LAN, RJ-45
Outputs Monitor 15 pin, D-sub
Outputs Audio Audio, Stereo mini jack x 1
Outputs, Other DB9, RS232
USB type B (remote mouse only)

Security Kensington slot, security bar,
keypad lock

Fan Level 34dB, (29dB in econo mode)
Operating Temperature 41 to 104 deg. F (5-40 deg C)
Power AC 100-120V, AC220-240V
50/60 Hz, 328 watt

Size (WxHxD) 13" x 4" x 9"
Weight 6.4 lbs. (2.9 kg)
Carton Size 13" x 7" x 19"
Shipping Weight 12 lbs.

Accessories Included Remote control, batteries (AA), power
cord, Computer cable, User manual,
lens cap
Safety UL, CUL

Optional Accessories Lamp 456-8406
Ceiling mount, universal, RPA-U
or PRG-UNV

Five (5) year limited warranty on parts and labor in North
America, lamp excluded (for other locations, local warranties
apply). Includes Dukane's FREE 1 year Peace-of-Mind Loaner
Program.