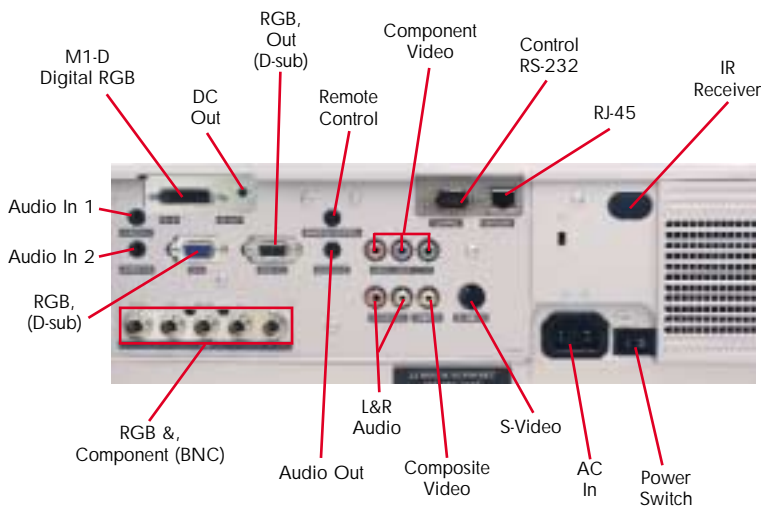




ImagePro 9135 Portable LCD Projector

- 3500 lumen brightness
- SXGA+ resolution
- 650 to 1 contrast ratio
- Easy lamp replacement
- Optional bayonet lenses available
- Powered lens shift
- Progressive scan
- Keystone correction
- Network capability



Exclusive five year warranty
the best warranty in the industry



9135 DUKANE

ImagePro 9135

Portable LCD projector

The Dukane ImagePro 9135 combines high brightness with super high resolution to offer one of the most impressive projectors available even in the most demanding presentation applications. When attention detail is extremely important the 9135 truly shines with SXGA+ resolution and 3500 lumens of brightness. Ideal for command and control, engineering, and CAD applications, this full featured LCD makes installations easy with optional bayonet lenses and power zoom and focus.



Key features:

- 3500 lumen brightness
- SXGA+ resolution
- 650 to 1 contrast ratio
- Easy lamp replacement
- Optional bayonet lenses available
- Lens shift
- Network capability
- Picture-In-Picture
- Five year warranty and One year Peace-of-Mind service

Image Size 4:3		Throw Distance	
Diagonal	Width	Min.	Max.
Inches	Inches	Feet	Feet
40	32	3.8	5.9
60	48	5.9	8.9
70	56	6.9	10.5
100	80	10.0	15.1
120	96	12.0	18.1
150	120	15.1	22.7
200	160	20.3	30.3

Throw Ratio (distance to width) 1.50 2.27

DUKANE

Dukane Corporation
 Audio Visual Products Division
 2900 Dukane Drive
 St. Charles, Illinois 60174
 800-676-2485 or 2486
 630-584-5156
 avsales@dukcorp.com
 www.dukcorp/av.com



toll-free
 fax
 e-mail

ImagePro is a registered trademark of Dukane Corporation
 #11677-G-05

Specifications 9135

Image Element	0.99" polysilicon TFT x3, MLA
Brightness	3500 ANSI lumens 2800 (whisper mode)
Resolution	1400 x 1050 pixels (H X V), SXGA+
Contrast	650 to 1
Scanning Frequency	fh 15-91 kHz, fv 50-120 Hz
Lens	Power zoom (F=1.7 to 2.4), 1.5X
Lens Throw Ratio	1.5 -2.2:1 throw distance to image width
Keystone Correction	Digital, vertical +/-15 deg, horizontal +/- 3 deg
Aspect Ratio	4:3, 16:9, selectable
Computer Compatibility	SVGA, VGA, XGA, and SXGA/UXGA Compressed, Mac 13" and Mac 16"
Video Compatibility	NTSC, NTSC 4.43, PAL, PAL-M, PAL-N, PAL60, SECAM, HDTV 1080i, 720p, 575i, 480i/p
Image Control	Freeze function, electronic magnification and pan
Mouse Control	Using M1 to USB
Projection Modes	Front/rear/ceiling
Color Reproduction	24 bit (16.7 million)
Lamp	310W UHB
Lamp Life	2000 hours
Audio	1.0 W x 2
Throw Distance	46" to 364"
Screen Size, diagonal	40" to 500"
Inputs, Video	(1) Component, RCA x 3, BNC (shared) (1) S-video, Min DIN 4-pin, (1) Composite video, RCA x 1 Audio, Stereo, RCA x 2
Inputs, Computer	(1) RGB Signal: D-sub, 15 pin (1) BNC x 5 (shared), RGBHV (1) M1-D (digital RGB) & Audio, Stereo mini jack x 2
Outputs Monitor	15 pin, D-sub Audio, Stereo mini jack x 1
Outputs, Control	9 pin D-sub Connector, RS-232 M1-D with USB for mouse 3.5mm mini jack (wired remote control)
Network	RJ-45 port / 10Base-T
Security	Kensington slot
Fan Level	42dB, (38dB in whisper mode)
Operating Temperature	32 to 95 deg. F (0-35 deg C)
Power	AC 100-120V, AC220-240V 50/60 Hz, 470 watt
Size (WxHxD)	16.5" x 6.3" x 12.6"
Weight	17 lbs.
Carton Size	20.5" x 13.5" x 19"
Shipping Weight	27 lbs.
Accessories Included	Remote control, batteries, power cord, RGB Cable, Video/Audio Cable, M1 cable (DVI & USB to M1), and operator/safety manual.
Safety	UL/CSA, FCC/DOC Class B, CE
Optional Accessories	Lamp 456-8942

Five (5) year limited warranty on parts and labor in North America,
 lamp excluded (for other locations, local warranties apply). Includes
 Dukane's FREE 1 year *Peace-of-Mind Loaner Program*.

5YR