

MODEL #	WEIGHT	SHIPPING WEIGHT
DS13, DS13W	9.5 LBS. (4.31 KG.)	12.0 LBS. (5.44 KG.)
DS20, DS20W	11.0 LBS. (5.00 KG.)	13.5 LBS. (6.12 KG.)

Two models available for 13"(33-40cm), and 19"-20"(42-55cm) TVs. Also available for 27"(63-70cm) TVs (see DS27 Technical Data Sheet).

Support Tray has three tilt positions (0°, 5°, 10°).
Safety belt included.

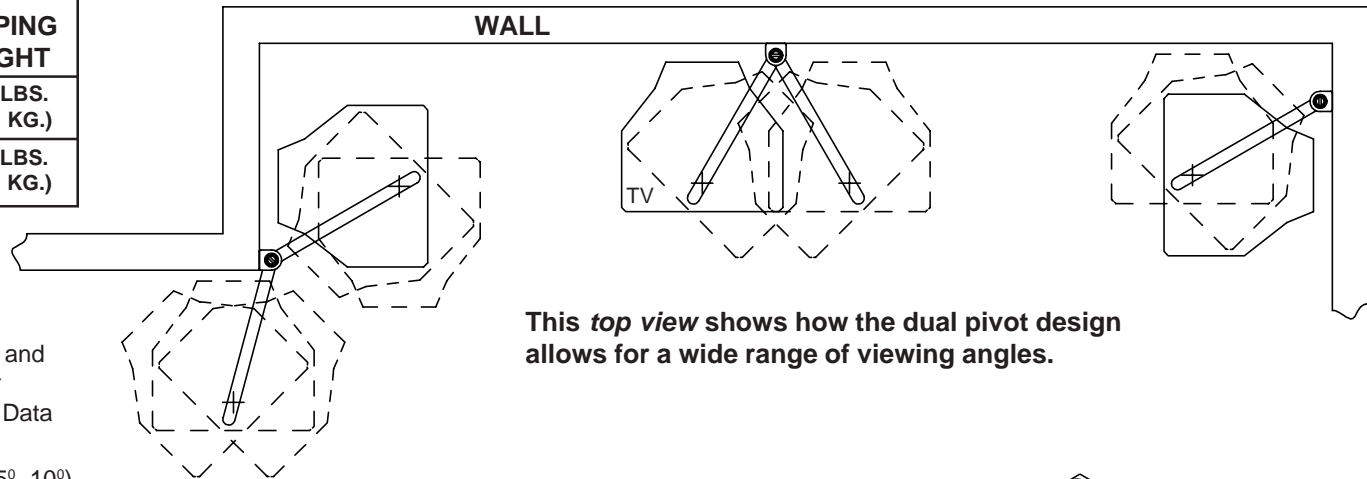
Dual swivel feature allows TV to be pointed in almost any direction.

VCR mounting bracket (sold separately) attaches below the support tray.

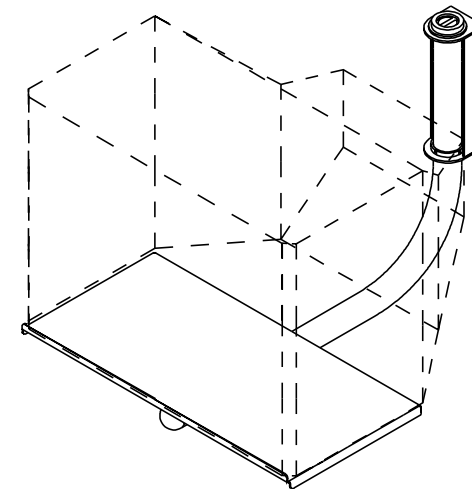
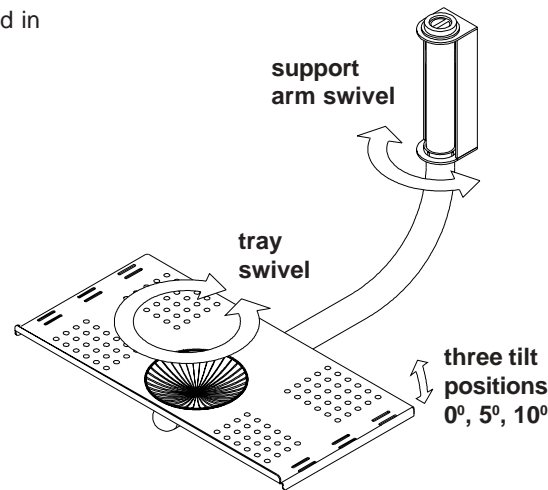
Attachment hardware for wood stud walls provided. For attachment to concrete walls order accessory kit #ACC205.

Hardware for concrete wall attachment may be included with product by special order.

For metal stud wall installations order External Wall Plate for Metal Stud Walls - several models available.



This top view shows how the dual pivot design allows for a wide range of viewing angles.



Most of the bracket is concealed by the TV resulting in a clean finished assembly.

See opposite side for specific dimensions.



THIS PRODUCT IS U.L. LISTED AND IS INTENDED FOR USE WITH U.L. LISTED TV's AND MONITORS ONLY.



Architects Specifications:

The television mount shall be a Peerless model DS _____ and shall be located where indicated on the plans. The finish shall be scratch resistant Black or White Fused Epoxy. The point of attachment must be to a wood stud, solid concrete, brick, or concrete block wall. The television mount shall be constructed primarily of heavy gauge cold rolled steel. It shall feature three tilt positions and dual swivel. Assembly and installation shall be done according to instructions provided by the manufacturer.

Protected by U.S. Patent no. 5,127,617. Other U.S. and international patents pending.

**TECHNICAL DATA SHEET
DESIGNER SERIES WALL MOUNT**

Peerless Industries, Inc.

1980 Hawthorne Ave.

phone: (708)865-8870

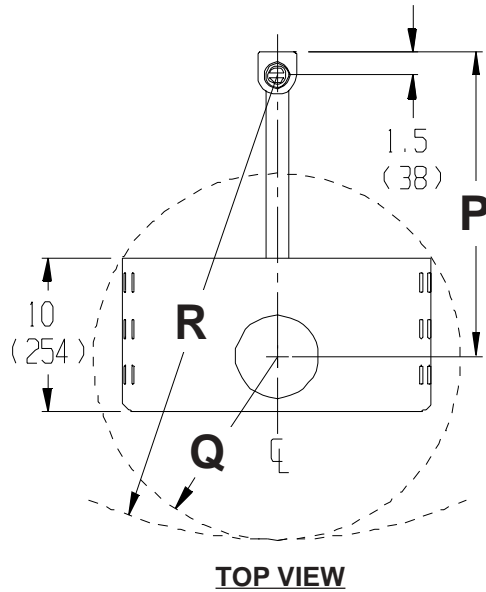
Melrose Park, IL 60160

fax: (708)865-2941

© 2002 Peerless Industries, Inc. All rights reserved.

Peerless is a registered trademark of Peerless Industries, Inc.

ISSUED: 7-17-96 SHEET NO:170-9504-1 06-18-02



DIMENSION	MODEL NUMBER	
	DS13, DS13W for 13" TVs	DS20, DS20W for 19"-20" TVs
W	14 (356)	20 (506)
D	20.5 (521)	23 (584)
P	16.85 (428)	17.75 (451)
Q	9.5 (241)	12 (305)
R	24.75 (529)	29.75 (756)
T	0°, 5°, 10°	0°, 5°, 10°
MAXIMUM LOAD	110 lb. (49.9 kg.)	110 lb. (49.9 kg.)

NOTES

All dimensions:
inch
(mm)
unless otherwise specified.

☒ = centerline

Material: Cold rolled steel and steel tubing

Finish: black or white fused epoxy

* Distance from surface of TV support tray to bottom mounting hole in wall plate.

