

PROJECTOR CEILING MOUNTS

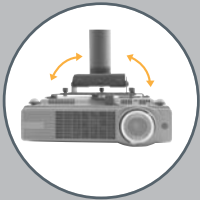
CUSTOM SOLUTION

RPA series™ RPA™ SERIES INVERTED CUSTOM PROJECTOR MOUNT

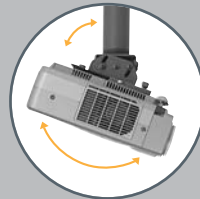
This top-selling, custom projector mount with quick installation and low-profile design is perfect for offices, schools and homes.



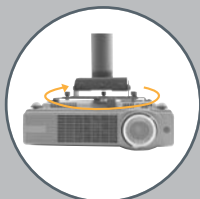
FEATURING



ROLL ADJUSTMENT: $\pm 4^\circ$



PITCH ADJUSTMENT: $\pm 25^\circ$



YAW ADJUSTMENT: 360°

MOUNTING OPTIONS

1. Flush mount to ceilings using the four corner slots in the top of the mount. Suitable access is provided to allow flush mounting without disassembly.
2. 1/4" Threaded Rod using the four corner slots in the top of the mount.
3. 1-1/2" NPT Threaded Extension Column using the threaded opening at the top of the mount.

Note: Threaded Extension Column and Threaded Rod not included.

SPECIFICATIONS

Roll	$\pm 4^\circ$
Pitch	$\pm 25^\circ$
Yaw	360°
Dimensions*	6.25" x 1.75" x 5.5"
WxHxD	(159 x 44 x 140 mm)
Color	Black
Weight	
Capacity	50 lbs (22.7 kg)

* Height doesn't include interface bracket

- **Integrated Cable Management**
Allows routing of cables through top of the mount without additional accessories.
- **Independent Roll, Pitch and Yaw**
For quick and precise image registration.

- **Quick & easy installation with no assembly required!**

Quick Projector Connect/Disconnect

With convenient lamp and filter access on most projectors.

- Always maintains registration
- Disconnecting doesn't affect pre-set adjustments

- **Custom-Designed SLB Bracket**
Includes an SLB bracket designed for each specific projector.

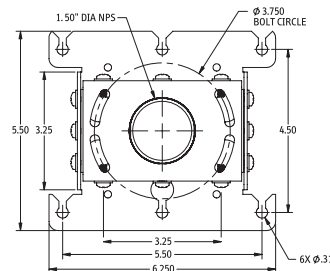
All-Points™ Security System

Exclusive locking hardware at all key connection points to protect against theft.

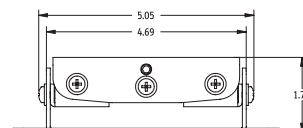
- Steel-into-steel design is more effective than other security systems
- Included at no additional cost!
- For additional RPA security, see the security accessories on page 35

- **Compatible with many accessories for all your installation needs.**

- **Custom Solution**
Projector maintenance is easy by using a mount with a custom bracket.
 - Easily replace filter or bulb on most projectors
 - Allows proper ventilation
 - Fits the contour of the projector for the lowest profile possible!



Top View



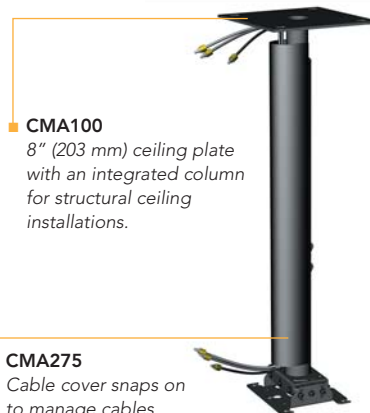
Front View:
Add 0.75" (19 mm) for most interface brackets

PROJECTOR CEILING MOUNTS

COMMON INSTALLATIONS AND ACCESSORIES



- **CMA440 Lightweight Suspended Ceiling Kit**
 - A flexible solution for mounting projectors from a suspended ceiling
 - Mount above an existing ceiling tile (ceiling tile not shown)
 - Safety cable and hardware included
 - Weight Capacity: 50 lbs (22.7 kg)



■ **CMA100**
8" (203 mm) ceiling plate with an integrated column for structural ceiling installations.

■ **CMA275**
Cable cover snaps on to manage cables, providing a clean look!

POPULAR PRODUCT

Get the Next Level in Projector Security with the PL1 Projector Lock!

- Provides an added level of security with multiple locking options
- Easily integrates into new or existing RPA installations
- Ships fully assembled
- Convenient lamp and filter access with a slotted design for projector ventilation
- Sliding doors for easy projector access
- Great for professional applications, schools and gymnasiums



RECOMMENDED ACCESSORIES

RPA	PAGE
CMA100 8" (203 mm) Ceiling Plate with Attached Adjustable 1-1/2" NPT Column	30
CMA110 8" (203 mm) Ceiling Plate with 1-1/2" NPT Opening	30
CMS115 Speed Connect Ceiling Plate	30
CMA152 1-1/2" to 1-1/2" NPT Coupler with Cable Access	34
CMA330 Offset Ceiling Plate	30
CMA347 Projector Vibration Isolator	34
CMA372 Offset Unistrut Adapter	33
CMS440 Speed Connect Lightweight Suspended Ceiling Kit	31
CMS445 Speed Connect Advanced Ceiling Replacement Kit	31
CMA450 Suspended Ceiling Kit	31
CMS Speed Connect Fixed and Adjustable 1-1/2" NPT Extension Columns	32
LSB100 Lateral Shift Bracket	36
PG1A or PG2A Projector Guards	35
PL1 or PL2 Projector Lock	35
WMA300 Wall Mount Arm	33

FAQ

1. How do I know which mount to order?

A Chief's cross-reference chart will help determine which mount to order based on the projector model.

2. Do I need to order a separate bracket?

A The RPA ships complete with an SLB bracket.

3. How much assembly is required?

A None, just attach the mount to the provided bracket.

4. How much weight does the mount hold?

A Each mount is designed to support the weight of the projector model(s) specified. However, your ceiling must hold at least five times the weight of your installation.

5. How much height will the mount add to my installation?

A The RPA adds approximately 2.5" (64 mm).

6. Do I need additional accessories for my installation?

A For flush mounting, no additional accessories are needed. Often you will need to lower your projector from a structural, suspended or finished ceiling. For these common applications, you will want to order the appropriate accessories.

7. If I use the RPA with a Suspended Ceiling Kit, do I need an extension column?

A Yes. Any 1-1/2" NPT Threaded Extension Column will work with Chief's Suspended Ceiling Kits.

HOW TO ORDER

1. Determine which mount to order by looking in the cross-reference chart. For the most recent cross-reference chart, visit www.chiefmfg.com or call Customer Service at 1.800.582.6480 (domestic) or 952.894.6280 (international).

2. Choose any appropriate accessories needed for your installation.

3. Fax or e-mail your order to Customer Service at 877.894.6918 (domestic) or 952.894.6918 (international), or orders@chiefmfg.com.