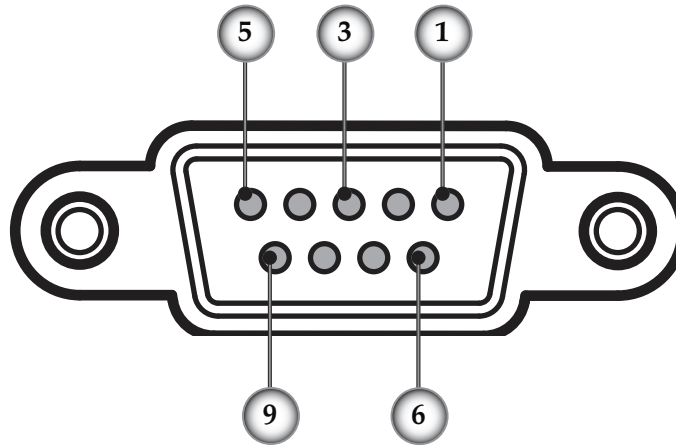


RS232 Commands and Protocol Function List

RS232 Pin Assignments



Pin no.	Name	I/O (From Projector Side)
1	NC	—
2	RXD	IN
3	TXD	OUT
4	NC	—
5	GND	—
6	NC	—
7	NC	—
8	NC	—
9	NC	—

Appendices

RS232 Protocol Function List

Interface: 9 wires RS-232C
Baud Rate: 115200

Data Bit: 8
Parity: none
Stop Bits: 1
Flow Control: none

Default ACK:
 "**00<CR>" : Received OK
 "**001<CR>" : Invalid Command

Terminator:
 <LF> = 0Ah = "r"
 <CR> = 0Dh = "n"

Viewed As	Command	TERMINATOR 1	TERMINATOR 2	SILENCE / g e t	Function Description	ACK	Hex
OKOKOKOKOK	OKOKOKOKOK <CR> <LF>			s	Power On	Default ACK	4F4B4F4B4F4B4F4B0D

Viewed As	Header	Address Code	Blank	Command Header	Blank	Command	TERMINATOR 1	TERMINATOR 2	SILENCE / g e t	Function Description	ACK	Hex
* 0 IR 002	H	A	B	C	O	M	T	T	S	Power Off	Default ACK	2A 20 30 20 20 49 52 20 30 30 32 0D
* 0 IR 008	H	A	B	C	O	M	T	T	O	Menu	Default ACK	2A 20 30 20 20 49 52 20 30 30 38 0D
* 0 IR 009	H	A	B	C	O	M	T	T	O	Up	Default ACK	2A 20 30 20 20 49 52 20 30 30 39 0D
* 0 IR 010	H	A	B	C	O	M	T	T	O	Down	Default ACK	2A 20 30 20 20 49 52 20 30 31 30 0D
* 0 IR 011	H	A	B	C	O	M	T	T	O	Right	Default ACK	2A 20 30 20 20 49 52 20 30 31 31 0D
* 0 IR 012	H	A	B	C	O	M	T	T	O	Left	Default ACK	2A 20 30 20 20 49 52 20 30 31 32 0D
* 0 IR 013	H	A	B	C	O	M	T	T	O	Enter	Default ACK	2A 20 30 20 20 49 52 20 30 31 33 0D
* 0 IR 014	H	A	B	C	O	M	T	T	S	Source	Default ACK	2A 20 30 20 20 49 52 20 30 31 34 0D
* 0 IR 015	H	A	B	C	O	M	T	T	S	Re-sync	Default ACK	2A 20 30 20 20 49 52 20 30 31 35 0D
* 0 IR 016	H	A	B	C	O	M	T	T	S	Source: DVI_Digital	Default ACK	2A 20 30 20 20 49 52 20 30 31 36 0D
* 0 IR 017	H	A	B	C	O	M	T	T	S	Source: HDMI 1	Default ACK	2A 20 30 20 20 49 52 20 30 31 37 0D
* 0 IR 018	H	A	B	C	O	M	T	T	S	Source: Composite Video	Default ACK	2A 20 30 20 20 49 52 20 30 31 38 0D
* 0 IR 019	H	A	B	C	O	M	T	T	S	Source: S-Video	Default ACK	2A 20 30 20 20 49 52 20 30 31 39 0D
* 0 IR 020	H	A	B	C	O	M	T	T	S	Source : DVI_Analog	Default ACK	2A 20 30 20 20 49 52 20 30 32 30 0D
* 0 IR 025	H	A	B	C	O	M	T	T	S	Aspect Ratio 16:9	Default ACK	2A 20 30 20 20 49 52 20 30 32 35 0D
* 0 IR 026	H	A	B	C	O	M	T	T	S	Aspect Ratio 4:3	Default ACK	2A 20 30 20 20 49 52 20 30 32 36 0D
* 0 IR 027	H	A	B	C	O	M	T	T	O	Aspect ratio LetterBox	Default ACK	2A 20 30 20 20 49 52 20 30 32 37 0D
* 0 IR 028	H	A	B	C	O	M	T	T	O	Aspect ratio 1:1	Default ACK	2A 20 30 20 20 49 52 20 30 32 38 0D
* 0 IR 030	H	A	B	C	O	M	T	T	S	Source Lock On	Default ACK	2A 20 30 20 20 49 52 20 30 33 30 0D
* 0 IR 031	H	A	B	C	O	M	T	T	S	Source Lock Off	Default ACK	2A 20 30 20 20 49 52 20 30 33 31 0D
* 0 IR 032	H	A	B	C	O	M	T	T	S	IRIS	Default ACK	2A 20 30 20 20 49 52 20 30 33 32 0D
* 0 IR 033	H	A	B	C	O	M	T	T	S	SupwerWide	Default ACK	2A 20 30 20 20 49 52 20 30 33 33 0D

Appendices

Viewed As	H E A D B	A D D R B	C O M M B	C O M	T E R M 1	T E R M 2	S I L N g	Function Description	ACK	Hex
* 0 IR 035	*	0	IR	035	<CR>	--	s	Brightness	Default ACK	2A 20 30 20 49 52 20 30 33 35 0D
* 0 IR 036	*	0	IR	036	<CR>	--	s	Contrast	Default ACK	2A 20 30 20 49 52 20 30 33 36 0D
* 0 IR 037	*	0	IR	037	<CR>	--	s	Tint	Default ACK	2A 20 30 20 49 52 20 30 33 37 0D
* 0 IR 038	*	0	IR	038	<CR>	--	s	Color	Default ACK	2A 20 30 20 49 52 20 30 33 38 0D
* 0 IR 039	*	0	IR	039	<CR>	--	s	Image shift up	Default ACK	2A 20 30 20 49 52 20 30 33 39 0D
* 0 IR 040	*	0	IR	040	<CR>	--	s	Image shift down	Default ACK	2A 20 30 20 49 52 20 30 34 30 0D
* 0 IR 041	*	0	IR	041	<CR>	--	s	mode	Default ACK	2A 20 30 20 49 52 20 30 34 31 0D
* 0 IR 042	*	0	IR	042	<CR>	--	s	edge mask(overscan)	Default ACK	2A 20 30 20 49 52 20 30 34 32 0D
* 0 IR 043	*	0	IR	043	<CR>	--	s	overscan(zoom)	Default ACK	2A 20 30 20 49 52 20 30 34 33 0D
* 0 IR 046	*	0	IR	046	<CR>	O	s	Keystone shift up	Default ACK	2A 20 30 20 49 52 20 30 34 36 0D
* 0 IR 047	*	0	IR	047	<CR>	O	s	keystone shift down	Default ACK	2A 20 30 20 49 52 20 30 34 37 0D
* 0 IR 048	*	0	IR	048	<CR>	O	s	Image shift left	Default ACK	2A 20 30 20 49 52 20 30 34 38 0D
* 0 IR 049	*	0	IR	049	<CR>	O	s	Image shift right	Default ACK	2A 20 30 20 49 52 20 30 34 39 0D
* 0 IR 050	*	0	IR	050	<CR>	--	s	Source: HDMI 2	Default ACK	2A 20 30 20 49 52 20 30 35 30 0D

Viewed As	H E A D B	A D D R B	C O M M B	C O M	T E R M 1	S I L N g	Function Description	Return	Note	Hex	
* 0 IR 801	*	0	IR	801	<CR>	--	g	Get Lamp Hour	*002 xxxxx	Range of xxxxx is 0 <-> 99999 xx means 00 : no source 01 : DVI_Digital 02 : HDMI 1 03 : Composite Video 04 : S-Video 05 : DVI_Analog 06 : Component Video 07 : HDMI 2 08 : Testing	2A 20 30 20 49 52 20 38 30 31 0D
* 0 IR 802	*	0	IR	802	<CR>	--	g	Get Video Source	*003 xx	xx means 00 : no source 01 : DVI_Digital 02 : HDMI 1 03 : Composite Video 04 : S-Video 05 : DVI_Analog 06 : Component Video 07 : HDMI 2 08 : Testing	2A 20 30 20 49 52 20 38 30 32 0D
* 0 IR 803	*	0	IR	803	<CR>	--	g	Get Lamp Status	*004 xx	xx means 00 : Brite Mode Off 01 : Brtire Mode	2A 20 30 20 49 52 20 38 30 33 0D
* 0 IR 804	*	0	IR	804	<CR>	--	g	Get Projector status	*005 xx	xx means projector is in 00 : Standby mode 01 : Power On 03 : Cooling on or cooling off 04 : Lamp error 05 : Thermal error	2A 20 30 20 49 52 20 38 30 34 0D