

Zoom Lens

This fixed-focus lens is designed for use with Panasonic's applicable projectors. The short-throw lens is ideal for rear projection.

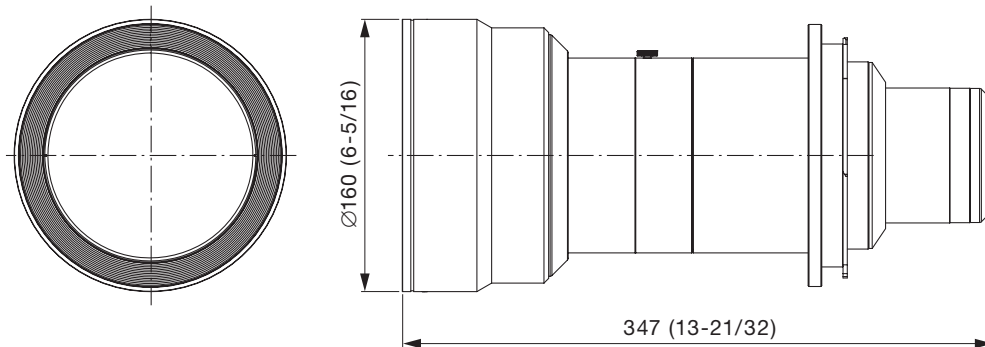
NOTE: Please use the lens only on the specified Panasonic projector.

Specifications

F value:	2.5
Focal distance (f):	14.8 mm
Throw ratio:	0.7:1 for PT-DZ21K/DZ8700/DZ110X (16:10 aspect ratio), 0.8:1 for PT-DS20K/DS8500/DS100X (4:3 aspect ratio), 0.8:1 for PT-DW17K/DW8300/DW90X (16:9 aspect ratio)
Dimensions (W × H × D):	160 × 160 × 347 mm (6-5/16 × 6-5/16 × 13-21/32 inches)
Weight:	Approximately 7.1 kg* (15.7 lbs*)
Applicable projector	[Group A] PT-DZ21K/DZ21K2/DS20K/DS20K2/DW17K/DW17K2/DZ16K/DZ16K2 [Group B] PT-DZ13K/DS12K/DW11K/DZ10K/DZ8700/DZ110K/DS8500/DS1100K/DW8300/DW90K [Group C] PT-RZ12K/RS11K PT-RQ13K

*Average value. May differ depending on the actual unit.
The throw ratio is an approximate value calculated by dividing the screen width by the projection distance.

Dimensions

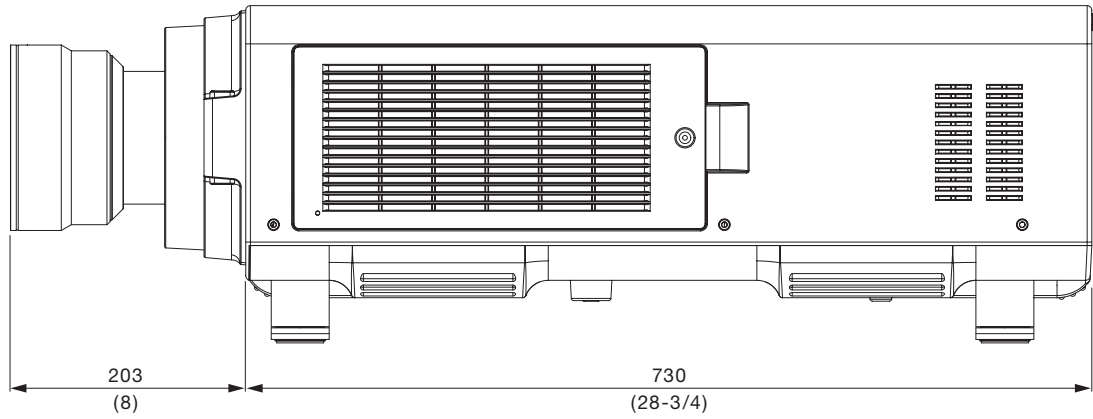


unit : mm (inch)

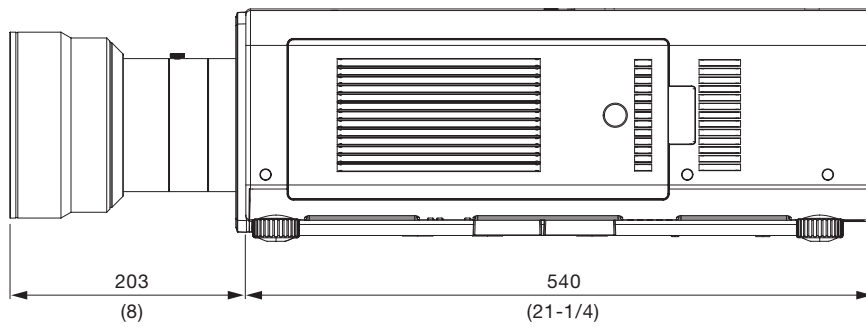
NOTE: This illustration is not drawn to scale.

NOTE: Please read the projector's instruction manual for throw distances.
Weights and dimensions shown are approximate. Specifications subject to change without notice.

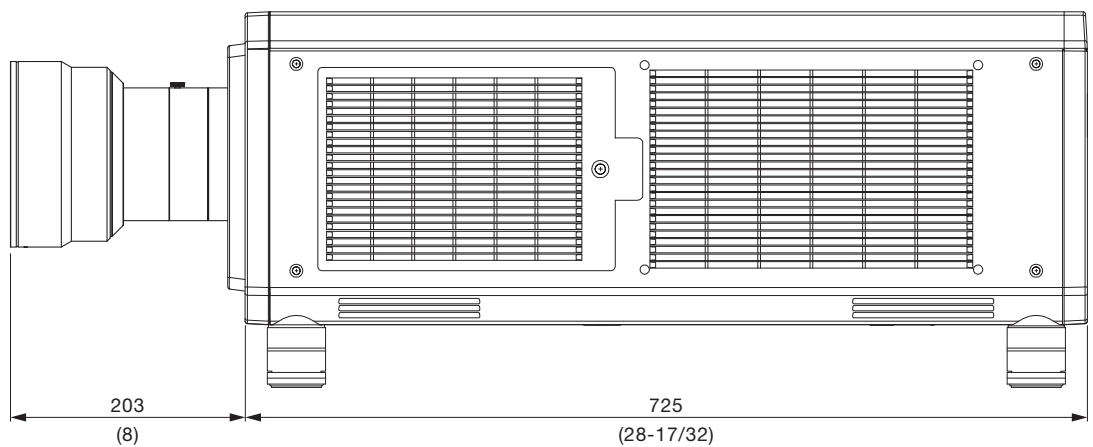
[Group A]



[Group B]



[Group C]



unit : mm (inch)
NOTE: This illustration is not drawn to scale.

NOTE: Please read the projector's instruction manual for throw distances.
Weights and dimensions shown are approximate. Specifications subject to change without notice.