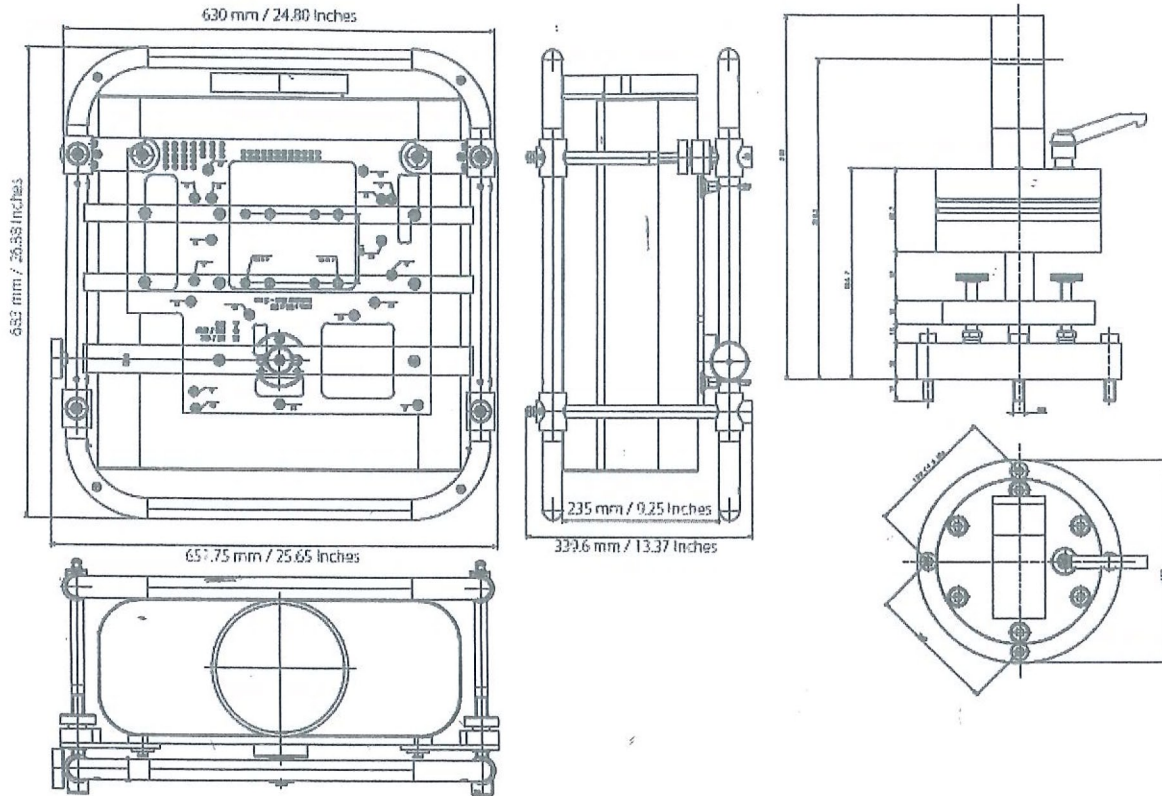


**ET-PFD350 MOUNTING FRAME DIMENSIONS**

**ET-PFD550TMS2 TRUSS MOUNT DIMENSIONS**



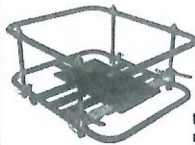
Recognizing the importance of the new PT-DZ13K Series of 3-Chip DLP projectors to the rental and staging market, we are introducing a smaller version of our deluxe mounting frame, the ET-PFD350. This is based on the same successful design of its bigger sibling, the ET-PFD550, but scaled to fit the more compact dimensions of the newer projector. This frame will also fit the PT-DZ8700 Series.

**ET-PFD350 Premium Mounting Frame**

- Designed for use with PT-DZ13KU, PT-DS12KU, PT-DW11KU and PT-DZ10KU large venue projectors, this frame was designed specifically to answer the needs of the market. The frame offers built-in fine pitch tools for adjusting tilt and skew. When combined with the ET-PFD550TMS2 truss mount hardware (optional, for overhead mounting), setup of even the most complex two-projector stacking becomes such a painless experience that people might start volunteering to do the install! The truss mount goes from fully floating to completely locked in 1/2 turn of the adjustment lever. All of the mounting hardware is included including safety wiring.

Picture of "Book" mapping here

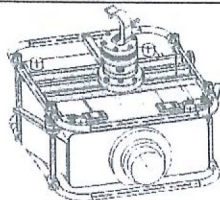
ET-PFD350 mounting frame shown with the PT-DZ13KU projector in portrait mode



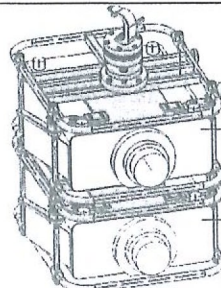
ET-PFD350 mounting frame



ET-PFD550TMS2 truss short double mount hardware for use with the ET-PFD550/PFD350 frame



One frame with truss mount hardware



Upper projector

Lower projector

Two stacked frames with truss mount hardware

The ET-PFD350 mounting frame is designed for use with Panasonic's PT-DZ13K Series projectors and can also be used in a dual stack configuration in which two projectors are used together. Only a qualified installer should install this product. Stacking of more than two projectors is not recommended.