

Panasonic
ideas for life

PT-D5600U
PT-D5600UL
DLP®-Based Projector



A New Dimension in Reliability. A New Experience in Picture Quality.



5 000lm

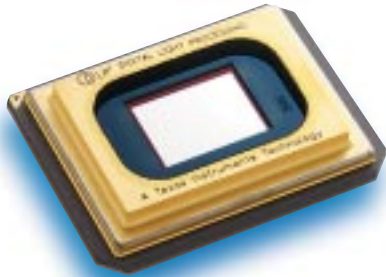
XGA



Panasonic system projector

for bright, high-quality image projection in large spaces.

Panasonic system projector for stable performance over extended time periods.
Panasonic has further improved the image quality.



High 2 000:1 Contrast Ratio

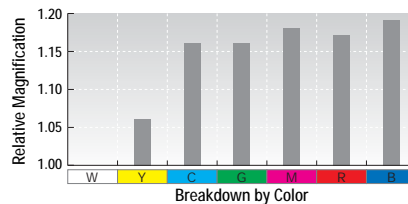
Even though the PT-D5600U/D5600UL is a 1-chip DLP® projector, its liquid-cooling system and dual-lamp optical system team up to give it a brightness of 5 000 lumens. This enables bright, large-screen projection even in well-lit condition.

This high-contrast combines with an outstanding brightness for crisp, high-resolution images in virtually any viewing environment.

Vivid Color Control

A new and unique control technology is used to maximize the color segment areas of the color wheel. Compared with our previous model, the brightness of each color is increased by an average of about 15%. This results in sharper, clearer color reproduction.

Luminance Comparison by Color-Wheel Color



*Calculated by setting the previous model value to 1.00.

3D Color Management System

Combined with Vivid Color Control, this greatly improves the reproduction of natural midtones.

Previous model

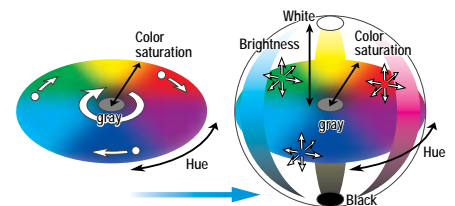
2D Color Correction

Corrects only color saturation and hue. The correction range is narrow, and the correction affects other colors.

D5600

3D Color Correction

Corrects color saturation, hue, and brightness. Correction is done automatically by the processor, resulting in natural image reproduction.



PREMIUM RELIABILITY



Panasonic system projectors have opened another new horizon. Their advanced imaging technologies have further enhanced the high image quality of the intricate DLP® chip. A full 5000 lumens of brightness makes it possible to render vivid images in a variety of spaces. Original Panasonic technologies, such as our popular dual lamp system and liquid-cooling system, provide an ultra-reliable design to meet requests for 24/7* operation.

* Refer to "Operating the Projector Continuously" in the NOTES ON USE section on the back cover.



Projection of bright, high-quality images in large spaces such as halls, conference rooms, classrooms, control centers, and churches.

Conference rooms



Classrooms



Control rooms



Churches



Greatly Refined Functions and Installation Ease



High Picture Quality

High Uniformity of Brightness and Color

The PT-D5600U/D5600UL's outstanding brightness and contrast ratio assures high uniformity of brightness and color, resulting in vivid and natural image.

Progressive Cinema Scan (3/2 Pull-down)

This interlace/progressive conversion technology automatically detects when the input signal is derived from filmed material and selects the optimum progressive processing method to assure faithful reproduction of the original image.

Dynamic Sharpness Control

The Dynamic Sharpness Control circuit adjusts the video signal waveforms based on the difference in brightness of adjacent pixels for a sharp, clear picture that is relatively unaffected by signal noise.

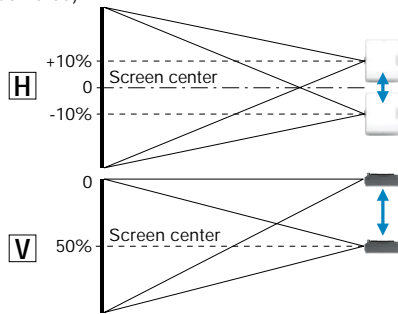
Flexible System Applications

Lens-Centered Design

A lens-centered, symmetrical design provides flexible system layout, eliminating the need for any special considerations when planning the installation site.

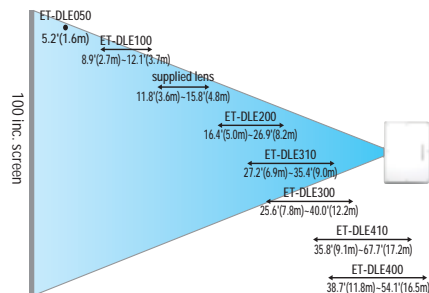
Horizontal/Vertical Lens Shift

A wide adjustment range of the horizontal/vertical lens shift assures distortion free images and adds convenience and versatility. (Horizontal : manual, Vertical : powered)



Optional Lenses for Various Venues

Seven optional lenses with different throw distances are available in addition to the supplied lens. These powered zoom/focus lenses enable the projectors to perform superbly in an array of projection environments.



*Projection Range Example

Easy Lens Replacement

The PT-D5600U/D5600UL uses the bayonet system, so lenses attach and detach with one-touch ease.



Multiple Terminals Including DVI-D

The PT-D5600U/D5600UL has an array of terminals—two RGB inputs including a 5-BNC connector, serial in/out, one S-video inputs, two remote in, one remote out, DVI-D and control capability—to support a broad range of projection needs HDCP (High-Bandwidth Digital Content Protection) compliant.



Control Panel and Wireless Remote Control

The rear control panel allows for easy operation when the PT-D5600U/D5600UL is set on a desk or floor. A Multi-function wireless remote control with mouse control also comes supplied with each projector.*

*Requires the optional ET-RMRC2 wireless mouse receiver



Quiet Operation, 29dB*

The unique Panasonic silent design ensures that the audience is not disturbed by projector noise.

* with lamp mode:low

Other Valuable Features

Mechanical Lens Shutter

A mechanical lens shutter minimizes annoying light leakage when the PT-D5600U/D5600UL is on standby or temporarily not in use, such as during a meeting.

Direct Power Off

Built-in capacitor provides power to cool the internal parts. This means that you can switch off the room's main power as soon as the presentation ends. PT-D5600U/D5600UL doesn't make you wait around and helps minimize lamp damage.

Anti-Theft Features with Chain Opening

Anti-theft features help protect the PT-D5600U/D5600UL from unauthorized use, including a password protection function and an operation key lock function that disables the control buttons on the main unit. It also features a Kensington lock and an additional security chain opening.

Flexible Angle Setting

The PT-D5600U/D5600UL can be rotated vertically. This means you can install it at any up-and-down angle you wish to accommodate different installation conditions.



Easy Replacement of Dust Filter and Lamp

Dust filter is replaced from the side and lamps are replaced from the back panel. Both of them are replaced very easily even if PT-D5600U/D5600UL is installed.

Others

- 6 colors-matching function (red, green, blue, cyan, magenta, yellow)
- ID assignment for up to 65 units
- Coordinated group control for up to 26 groups (A-Z)
- Digital vertical keystone correction
- 3x digital zoom
- Built-in test pattern
- Selectable 9-language on-screen menu (English, German, French, Spanish, Italian, Russian, Japanese, Chinese, Korean)

The PT-D5600UL delivers the same performance as the PT-D5600U, but comes without lens. Combine it with an optional lens to get the exact performance you need according to usage and operating conditions.

Ecology-Conscious Design

Panasonic works from every angle to minimize environmental impact in the product design, production and delivery processes, and in the performance of the product during its life cycle. The PT-D5600U/D5600UL reflects the following ecological considerations.

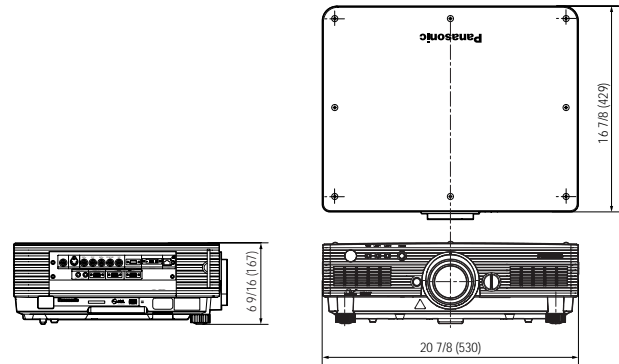
- Lead-free solder is used to mount components to the printed circuit boards.
- The non-coated cabinet enables easy recycling.
- Lamp power switching further reduces power consumption.
- Auto Power Save activates standby mode when no signal is input.
- The packing case and operating manual are made from recycled paper.

Specifications

System	DLP® system
Device	0.7" (diagonal) DLP® (x 1), 4:3
Pixels	786,432 (1,024 x 768) x 1
Lamp	300 W UHM™ lamp x 2 (Dual Lamp System)
Brightness (normal lamp)	5,000 lumens (dual lamp, high power mode)
Brightness (long life lamp)	2,500 lumens (dual lamp)
Contrast ratio	2,000:1 (full on/full off, contrast mode: high)
Resolution	
RGB	1,024 x 768 pixels
Video	560 TV lines
Lens	
PT-D5600U	Powered zoom/focus lens (1:1.8-1:2.5) F 1.7-2.0, f 25.6-33.8 mm
PT-D5600UL	Optional powered zoom/focus lenses
Screen size	50 - 600 inches
Lens shift	Vertical, horizontal
RGB input scanning frequency	f _H 15-91 kHz, f _V 50-85 Hz Dot clock 108 MHz or lower
Component signal	480i, 480p, 576i, 576p, 720/60p, 720/50p, 1035/60i, 1080/60i, 1080/50i
Video signal	NTSC, PAL, SECAM, NTSC4.43, PAL60, PAL-M, PAL-N
Terminals	
VIDEO IN	BNC
S-VIDEO IN	Mini DIN 4-pin
RGB1/Y/PaPr IN	BNC x 5
RGB2 IN	D-sub HD 15-pin
DVI-D IN	24 pin
RS-232C IN	D-sub 9-pin female
RS-232C OUT	D-sub 9-pin male
REMOTE 1 IN	M3 jack
REMOTE 1 OUT	M3 jack
REMOTE 2 IN	D-sub 9-pin female (parallel)
LAN	RJ-45 (10 Base-T/100 Base-TX)
Keystone correction range	±30° (with standard lens)
Installation	Front/rear, ceiling/floor
Power cord length	3.0m (9'9")
Power supply	120 V AC, 50/60Hz
Power consumption	770 W (770 VA) (10 W during standby mode with fan stopped)
Dimensions (W x H x D)	20-7/8" x 6-9/16" x 16-7/8" (530 x 167 x 429 mm) (without lens)
Weight	
PT-D5600U	32.0 lbs (14.5 kg) with supplied lens
PT-D5600UL	30.2 lbs (13.7 kg) without lens
Operating temperature	32 - 113 F (0 - 45 C)
Operating humidity	20-80% (no condensation)
Supplied accessories	Power cord, Wireless/wired remote control unit, Batteries for remote control (x 2)

Dimensions

unit: inch [mm]



Optional accessories

 Normal Lamp Replacement Unit ET-LAD55 ET-LAD55W (twin pack)	 Zoom Lens (1.3-1.8:1):ET-DLE100 Zoom Lens (2.5-4.0:1):ET-DLE200 Zoom Lens (3.7-5.7:1):ET-DLE300 Zoom Lens (3.4-4.5:1):ET-DLE310 Zoom Lens (5.7-8.0:1):ET-DLE400 Zoom Lens (4.5-8.4:1):ET-DLE410 Fixed Focus Lens (0.8:1):ET-DLE050	 Wireless Mouse Receiver ET-RMRC2
 Long Life Lamp Replacement Unit ET-LAD55L ET-LAD55LW (twin pack)		Ceiling Mount Bracket ET-PKD56H
		Low-Ceiling Mount Bracket ET-PKD55S

Projection distance

Screen size (4:3)	Throw distance															
	With ET-DLE050 0.8:1		With ET-DLE100 1.3-1.8:1		With supplied lens 1.7-2.1:1		With ET-DLE200 2.5-4.0:1		With ET-DLE300 3.7-5.7:1		With ET-DLE310 3.4-4.5:1		With ET-DLE400 5.7-8.0:1		With ET-DLE410 4.5-8.4:1	
	min.	max.	min.	max.	min.	max.	min.	max.	min.	max.	min.	max.	min.	max.	min.	max.
50"(4.2) 1.3 m	2.60' 0.79 m	4.38' 1.33 m	5.94' 1.81 m	5.85' 1.79 m	7.79' 2.38 m	8.05' 2.45 m	13.26' 4.04 m	12.59' 3.84 m	19.78' 6.03 m	11.08' 3.38 m	14.58' 4.44 m	19.37' 5.9 m	27.21' 8.3 m	14.74' 4.49 m	27.93' 8.51 m	
80"(6.7) 2.0 m	4.24' 1.29 m	7.09' 2.16 m	9.60' 2.93 m	9.50' 2.9 m	12.59' 3.84 m	13.01' 3.97 m	21.37' 6.52 m	20.41' 6.22 m	31.90' 9.73 m	17.94' 5.47 m	23.53' 7.17 m	30.94' 9.43 m	43.40' 13.23 m	23.85' 7.27 m	44.95' 13.7 m	
100"(8.3) 2.5 m	5.33' 1.62 m	8.90' 2.71 m	12.04' 3.67 m	11.92' 3.64 m	15.79' 4.76 m	16.32' 4.97 m	26.78' 8.16 m	25.62' 7.81 m	39.98' 12.19 m	22.51' 6.86 m	29.50' 8.99 m	38.65' 11.78 m	54.20' 16.53 m	29.92' 9.12 m	56.30' 17.16 m	
150"(12.5) 3.8 m	8.05' 2.45 m	13.43' 4.09 m	18.15' 5.53 m	17.99' 5.49 m	23.80' 7.26 m	24.58' 7.49 m	40.29' 12.28 m	38.66' 11.79 m	60.18' 18.35 m	33.94' 10.35 m	44.43' 13.54 m	57.94' 17.66 m	81.20' 24.76 m	45.11' 13.75 m	84.67' 25.81 m	
200"(16.7) 5.1 m	10.77' 3.28 m	17.96' 5.47 m	24.25' 7.39 m	24.06' 7.34 m	31.80' 9.70 m	32.85' 10.01 m	53.81' 16.4 m	51.70' 15.76 m	80.39' 24.51 m	45.37' 13.83 m	59.35' 18.09 m	77.23' 23.54 m	108.19' 32.99 m	60.29' 18.38 m	113.04' 34.46 m	
300"(25.0) 7.6 m	-	27.01' 8.23 m	36.45' 11.11 m	36.19' 11.04 m	47.81' 14.58 m	49.38' 15.05 m	80.83' 24.64 m	77.78' 23.71 m	120.80' 36.83 m	68.24' 20.80 m	89.20' 27.19 m	115.80' 35.3 m	162.18' 49.45 m	90.67' 27.64 m	169.79' 51.76 m	
400"(33.3) 1.3 m	-	36.06' 10.99 m	48.65' 14.83 m	48.33' 14.74 m	63.81' 19.46 m	65.91' 20.09 m	107.86' 32.88 m	103.85' 31.66 m	161.21' 49.15 m	91.10' 27.77 m	119.05' 36.29 m	154.37' 47.06 m	216.17' 65.91 m	121.04' 36.90 m	226.53' 69.06 m	
500"(41.7) 12.7 m	-	45.12' 13.75 m	60.85' 18.55 m	60.47' 18.44 m	79.82' 24.34 m	82.44' 25.13 m	134.89' 41.12 m	129.93' 39.61 m	201.62' 61.47 m	113.96' 34.74 m	148.89' 45.39 m	192.94' 58.82 m	270.16' 82.37 m	151.41' 46.16 m	283.28' 86.36 m	
600"(50.0) 15.2 m	-	54.17' 16.51 m	73.05' 22.27 m	72.60' 22.14 m	95.83' 29.22 m	98.97' 30.17 m	161.91' 49.36 m	156.00' 47.56 m	242.03' 73.79 m	136.82' 41.71 m	178.74' 54.49 m	231.52' 70.58 m	324.15' 98.83 m	181.79' 55.42 m	340.02' 103.66 m	

NOTES ON USE

Notes on Projector Placement and Operation:

The projector uses a high-wattage lamp that becomes very hot during operation. Please observe the following precautions.

- Never place objects on top of the projector while it is operating.
- Make sure there is an unobstructed space of 500 mm or more around the projector's exhaust openings.
- Do not stack projector units directly on top of one another for the purpose of multiple (stacked) projection. When stacking projector units, be sure to provide the amount of space indicated below between them. These space requirements also apply to installations where only one projector unit is operating at one time and the other unit is used as a backup.
- If the projector is placed in a box or enclosure, ensure the temperature of the air surrounding the projector is between 0°C and 35°C. Also make sure the projector's intake and exhaust openings are not blocked. Take particular care to ensure that hot air from the exhaust openings is not sucked into the intake openings.

Operating the Projector Continuously:

- If the projector is to be operated continuously 24 hours a day, use the dual-lamp optical system's alternating lamp operation (lamp changer) function. The projector cannot be operated continuously 24 hours a day in dual-lamp mode. Allow a minimum of two hours per day of non-operation time per day if the using the dual-lamp mode.
- The lamp replacement cycle duration becomes shorter if the projector is operated repeatedly for short periods.

- The projector uses a high-voltage mercury lamp that contains high internal pressure. This lamp may break, emitting a large sound, or fail to illuminate, due to impact or extended use. The length of time that it takes for the lamp to break or fail to illuminate varies greatly depending on individual lamp characteristics and usage conditions.
- The brightness of the lamp will gradually decrease with use.

Panasonic

Panasonic Projector Systems Company
1-800-528-8601
www.panasonic.com/projectors

Headquarters
1 Panasonic Way, 4E-7
Secaucus, NJ 07094
201 392 6463

Panasonic Canada Inc.
5770 Ambler Drive
Mississauga, Ontario
Canada L4W 2T3
905 624 5010

Please contact Panasonic or your dealer for a demonstration.



Weights and dimensions shown are approximate. Specifications are subject to change without notice. This product may be subject to export regulations. UHM is trademark of Matsushita Electric Industrial Co., Ltd. VGA and XGA are trademarks of International Business Machines Corporation. All other trademarks are the property of their respective trademark owners. Projection Images simulated.

DLP, DLP logo and DLP Medallion logo are trademarks or registered trademarks of Texas Instruments.
(C) 2006 Panasonic Projector Systems Company is a Unit Company of Panasonic Corporation of North America. All rights reserved.
(C) 2006 Matsushita Electric Industrial Co., Ltd. All rights reserved.
PT-D5600U1-06May30K Printed in Japan.