

## S P E C F I L E



The PT-DX810LS and PT-DX810LK are not equipped with a lens.

Product Number : PT-**DX810S/DX810K**  
PT-**DX810LS/DX810LK**

Product Name : DLP™ Projectors

## Specifications

## Main unit

Power supply		120 V AC, 7.5 A, 50/60 Hz 220–240 V AC, 4.3 A, 50/60 Hz
Power consumption	120 V AC, 60 Hz	790 W (830 VA) (0.2 W with STANDBY MODE set to ECO* <sup>1</sup> , 6 W with STANDBY MODE set to NORMAL)
	220–240 V AC, 50/60 Hz	760 W (950 VA) (0.3 W with STANDBY MODE set to ECO* <sup>1</sup> , 8 W with STANDBY MODE set to NORMAL)
DLP™ chip	Panel size	17.8 mm (0.7 in) diagonal (4:3 aspect ratio)
	Display method	DLP™ chip × 1, DLP™ system
	Pixels	786,432 (1,024 × 768) × 1, total of 786,432 pixels
Lens	PT-DX810S/DX810K	Powered zoom/focus lenses (1.8–2.5:1), F 1.7–1.9, f 25.6–35.7 mm
	PT-DX810LS/DX810LK	Optional powered zoom/focus lenses and fixed-focus lens
Lamp		300 W (max. 310 W) UHM lamps (× 2) (dual lamp system)
Screen size		1.27–15.24 m (50–600 inches) (1.27–5.08 m (50–200 inches) with the ET-DLE055), 4:3 aspect ratio
Brightness* <sup>2</sup>		8,200 lumens (dual lamp, LAMP MODE: NORMAL)
Center-to-corner uniformity* <sup>2</sup>		90%
Contrast* <sup>2</sup>		2,000:1 (full on/full off, CONTRAST MODE: HIGH, brightness: 4,100 lumens)
Resolution		1,024 × 768 pixels (Input signals that exceed this resolution will be converted to 1,024 × 768 pixels.)
Scanning frequency	HDMI/DVI-D	fH: 15–91 kHz, fV: 50–85 Hz, dot clock: 25–162 MHz or lower
	RGB	fH: 15–91 kHz, fV: 50–85 Hz, dot clock: 162 MHz or lower
	YPbPr (YCbCr)	480i (525i): fH 15.75 kHz; fV 60 Hz, 576i (625i): fH 15.63 kHz; fV 50 Hz, 480p (525p): fH 31.50 kHz; fV 60 Hz, 576p (625p): fH 31.25 kHz; fV 50 Hz, 720 (750)/60p: fH 45.00 kHz; fV 60 Hz, 720 (750)/50p: fH 37.50 kHz; fV 50 Hz, 1035/60i: fH 33.75 kHz; fV 60 Hz, 1080 (1125)/60i: fH 33.75 kHz; fV 60 Hz, 1080 (1125)/50i: fH 28.13 kHz; fV 50 Hz, 1080/25p: fH 28.13 kHz; fV 25 Hz, 1080/24p: fH 27.00 kHz; fV 24 Hz, 1080/24sF: fH 27.00 kHz; fV 48 Hz, 1080/30p: fH 33.75 kHz; fV 30 Hz, 1080/60p: fH 67.50 kHz; fV 60 Hz, 1080/50p: fH 56.25 kHz; fV 50 Hz
	Video/S-Video	fH: 15.75 kHz, fV: 60 Hz [NTSC/NTSC4.43/PAL-M/PAL60] fH: 15.63 kHz, fV: 50 Hz [PAL/PAL-N/SECAM]
Optical axis shift		Vertical: +50% (powered), horizontal: ±10% (powered) (Vertical: +45%, horizontal: ±10% with the ET-DLE080) <b>NOTE: Optical axis shift function cannot be operated when used with the ET-DLE055.</b>
Keystone correction range		Vertical: ±40° (±30° with the ET-DLE055 and ET-DLE080)
Installation		Ceiling/floor, front/rear
Terminals	HDMI IN	HDMI 19-pin × 1, HDCP compatible 480p, 576p, 720/60p, 720/50p, 1080/60i, 1080/50i, 1080/24p, 1080/24sF, 1080/25p, 1080/30p, 1080/60p, 1080/50p, VGA (640 × 480)–WUXGA* <sup>3</sup> (1,920 × 1,200), compatible with non-interlaced signals only, dot clock: 25–162 MHz
	DVI-D IN	DVI-D 24-pin × 1, DVI 1.0 compliant, HDCP compatible, for single link only 480p, 576p, 720/60p, 720/50p, 1080/60i, 1080/50i, 1080/24p, 1080/24sF, 1080/25p, 1080/30p, 1080/60p, 1080/50p, VGA (640 × 480)–WUXGA* <sup>3</sup> (1,920 × 1,200), compatible with non-interlaced signals only, dot clock: 25–162 MHz

RGB 1 IN		BNC × 5
R, G, B		R: 0.7 Vp-p, 75 ohms, G: 0.7 Vp-p (G: 1.0 Vp-p for sync on G), 75 ohms, B: 0.7 Vp-p, 75 ohms HD/VD, SYNC: High impedance, TTL (positive/negative) <b>NOTE: HD/SYNC, and VD terminals do not accept tri-level sync signals.</b>
	Y, PB, PR (Y, CB, CR)	Y: 1.0 Vp-p (including sync signal), PB/PR (CB/CR): 0.7 Vp-p, 75 ohms
RGB 2 IN		D-sub HD 15-pin (female) × 1
R, G, B		R: 0.7 Vp-p, 75 ohms, G: 0.7 Vp-p (G: 1.0 Vp-p for sync on G), 75 ohms, B: 0.7 Vp-p, 75 ohms HD/VD, SYNC: High impedance, TTL (positive/negative) <b>NOTE: HD/SYNC, and VD terminals do not accept tri-level sync signals.</b>
	Y, PB, PR (Y, CB, CR)	Y: 1.0 Vp-p (including sync signal), PB/PR (CB/CR): 0.7 Vp-p, 75 ohms
VIDEO IN		BNC × 1, 1.0 Vp-p, 75 ohms
S-VIDEO IN		Mini DIN 4-pin × 1, Y: 1.0 Vp-p, C: 0.286 Vp-p, 75 ohms
SERIAL IN		D-sub 9-pin (female) × 1 for external control (RS-232C compliant)
SERIAL OUT		D-sub 9-pin (male) × 1 for link control (RS-232C compliant)
REMOTE 1 IN		M3 jack × 1 for wired remote control
REMOTE 1 OUT		M3 jack × 1 for link control
REMOTE 2 IN		D-sub 9-pin (female) × 1 for external control (parallel)
LAN		RJ-45 × 1 for network connection, 100Base-TX/10Base-T, compliant with PjLink™
Power cord length		3.0 m (9 ft 10 in)
Cabinet materials		Molded plastic
Dimensions (W × H × D)	PT-DX810S/DX810K	498 × 175*4 × 466 mm (19-19/32 × 6-7/8*4 × 18-11/32 inches) (with supplied lens)
	PT-DX810LS/DX810LK	498 × 175*4 × 432 mm (19-19/32 × 6-7/8*4 × 17 inches) (without lens)
Weight	PT-DX810S/DX810K	Approx. 16.3 kg (35.9 lbs) (with supplied lens)
	PT-DX810LS/DX810LK	Approx. 15.4 kg (34.0 lbs) (without lens)
Operation noise*2		39 dB (dual lamp operation, LAMP MODE: NORMAL), 35 dB (dual lamp operation, LAMP MODE: ECO)
Operating temperature		0–45 °C (32–113 °F)*5
Operating humidity		20%–80% (no condensation)
<b>Remote control unit</b>		
Power supply		3 V DC (R6/AA type battery × 2)
Operation range*6		Approx. 30 m (98 ft 5 in) when operated from directly in front of the signal receptor
Dimensions (W × H × D)		51 × 176 × 23 mm (2 × 6-15/16 × 29/32 inches)
Weight		Approx. 134 g (4.7 oz) (including batteries)

**Supplied accessories**

Power cord (× 1)  
 (× 2 for PT-DX810ES/DX810EK/DX810ELS/DX810ELK)  
 Power cord security lock (× 1)  
 Wireless/wired remote control unit (× 1)  
 Batteries for remote control (R6/AA type × 2)  
 Software CD-ROM (Logo Transfer Software, Multi Projector Monitoring  
 & Control Software) (× 1)

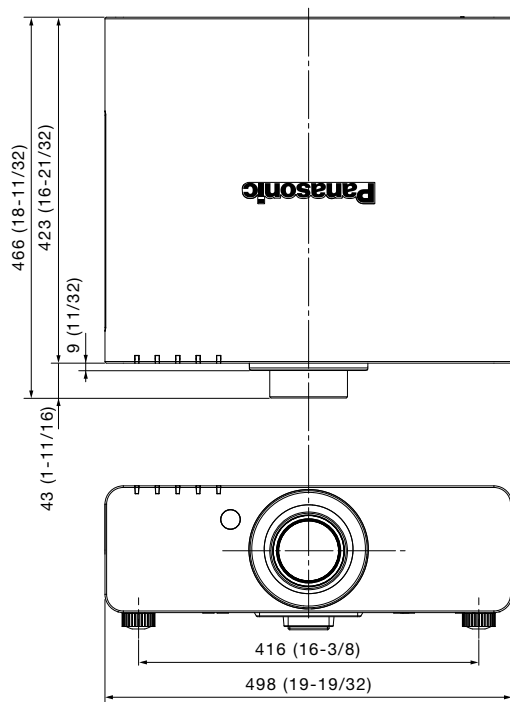
**Optional accessories**

Zoom lens (0.8–1.0:1)	ET-DLE080
Zoom lens (1.3–2.0:1)	ET-DLE150
Zoom lens (2.4–3.7:1)	ET-DLE250
Zoom lens (3.7–5.6:1)	ET-DLE350
Zoom lens (5.5–8.9:1)	ET-DLE450
Fixed-focus lens (0.8:1)	ET-DLE055
Ceiling mount bracket	ET-PKD56H (for high ceilings) ET-PKD55S (for low ceilings)
Replacement lamp unit	ET-LAD60A ET-LAD60AW (Twin Pack)
Replacement filter unit	ET-EMF300

Weights and dimensions shown are approximate. Specifications and appearance are subject to change without notice.

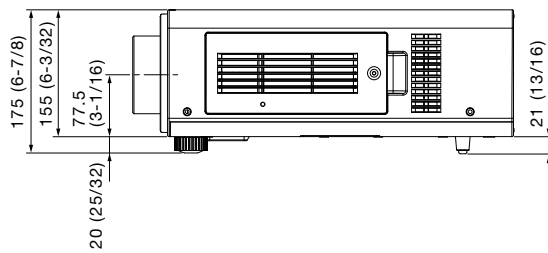
- \*1 When the standby mode is set to eco, network functions such as power on over the LAN network will not operate, and the serial output terminal cannot be used. Also, only certain commands can be received for external control using the serial terminal.
- \*2 Measurement, measuring conditions, and method of notation all comply with ISO 21118 international standards.
- \*3 WUXGA resolution is supported only when the signals are compliant with VESA CVT-RB (Coordinated Video Timing-Reduced Blanking).
- \*4 With legs at shortest position.
- \*5 The operating temperature range is 0 °C to 40 °C (32 °F to 104 °F) when the fan control is set to High Altitude mode (for altitudes from 1,400 m to 2,700 m (4,593 ft to 8,858 ft) above sea level). Also, if the ambient temperature exceeds 40 °C (104 °F) (35 °C (95 °F) in High Altitude mode) when the projector is being used with Lamp Select set to Dual and Lamp Power set to High, the light output may be reduced approximately 20% to protect the projector.
- \*6 Operation range differs depending on environments.

**Dimensions**

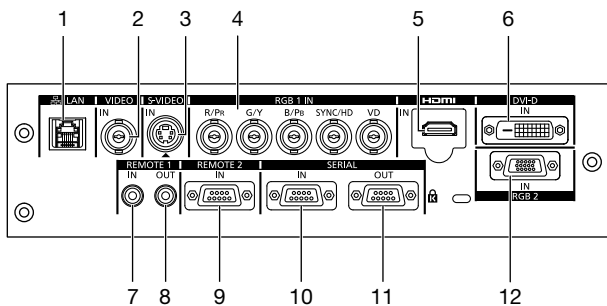


unit : mm (inch)

NOTE: This illustration is not drawn to scale.  
The illustration shows the PT-DX810S/DX810K.

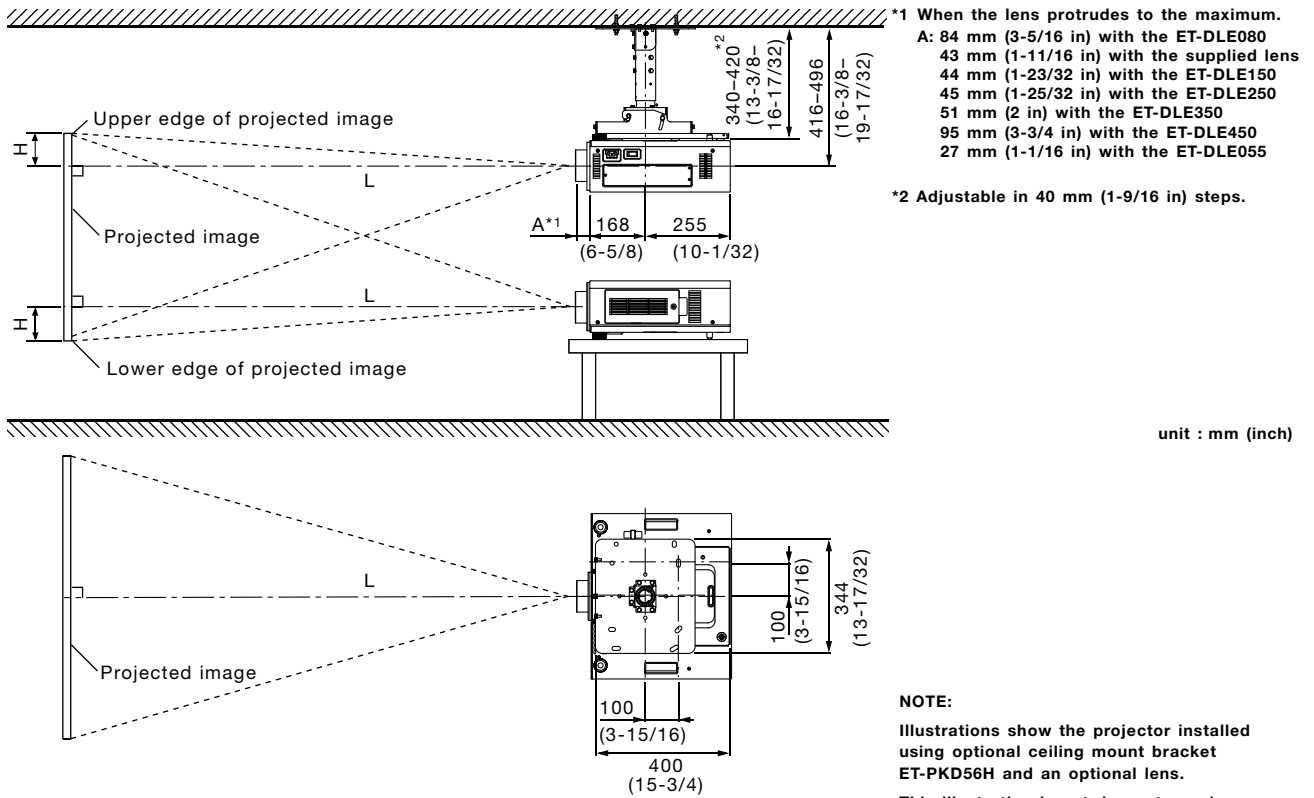


**Terminals**



- |                 |                   |
|-----------------|-------------------|
| 1 LAN connector | 7 Remote 1 input  |
| 2 Video input   | 8 Remote 1 output |
| 3 S-Video input | 9 Remote 2 input  |
| 4 RGB 1 input   | 10 Serial input   |
| 5 HDMI input    | 11 Serial output  |
| 6 DVI-D input   | 12 RGB 2 Input    |

Standard setting-up position



**Caution:**

- All construction work should be done by a qualified technician.
- When mounting to the ceiling, use the special mounting bracket. To prevent the projector from swaying or dropping, attach the wire between the mounting bracket and the ceiling.

Projection distance for 4:3 aspect ratio screen

Unit: meters

Screen size (diagonal)		Distance to screen (L)												Height from the edge of screen to center of lens (H)	
		Zoom lens													
		ET-DLE080		ET-DLE150		<i>Supplied lens</i>		ET-DLE250		ET-DLE350		ET-DLE450			
[m]	[in]	min.	max.	min.	max.	<i>min.</i>	<i>max.</i>	min.	max.	min.	max.	min.	max.		
1.27/	50	0.81	1.01	1.34	1.97	<b>1.78</b>	<b>2.51</b>	2.36	3.78	3.71	5.68	5.53	8.91	0.00 – 0.38	0.04 – 0.38
1.52/	60	0.98	1.22	1.62	2.37	<b>2.15</b>	<b>3.03</b>	2.85	4.55	4.48	6.84	6.69	10.75	0.00 – 0.46	0.05 – 0.46
1.78/	70	1.15	1.43	1.90	2.77	<b>2.52</b>	<b>3.55</b>	3.34	5.32	5.25	8.01	7.86	12.60	0.00 – 0.53	0.05 – 0.53
2.03/	80	1.32	1.64	2.18	3.18	<b>2.89</b>	<b>4.06</b>	3.83	6.09	6.02	9.17	9.02	14.44	0.00 – 0.61	0.06 – 0.61
2.29/	90	1.49	1.86	2.46	3.58	<b>3.26</b>	<b>4.58</b>	4.32	6.86	6.79	10.33	10.19	16.28	0.00 – 0.69	0.07 – 0.69
2.54/	100	1.66	2.07	2.74	3.98	<b>3.63</b>	<b>5.10</b>	4.80	7.63	7.56	11.50	11.35	18.12	0.00 – 0.76	0.08 – 0.76
3.05/	120	2.00	2.49	3.30	4.79	<b>4.37</b>	<b>6.13</b>	5.78	9.18	9.10	13.82	13.68	21.81	0.00 – 0.91	0.09 – 0.91
3.81/	150	2.51	3.12	4.14	6.00	<b>5.48</b>	<b>7.68</b>	7.24	11.49	11.41	17.31	17.18	27.33	0.00 – 1.14	0.11 – 1.14
5.08/	200	3.36	4.18	5.54	8.02	<b>7.33</b>	<b>10.26</b>	9.69	15.34	15.26	23.13	23.00	36.54	0.00 – 1.52	0.15 – 1.52
6.35/	250	4.21	5.23	6.94	10.03	<b>9.18</b>	<b>12.85</b>	12.13	19.20	19.11	28.94	28.83	45.76	0.00 – 1.91	0.19 – 1.91
7.62/	300	5.07	6.29	8.33	12.05	<b>11.03</b>	<b>15.43</b>	14.57	23.06	22.96	34.76	34.66	54.97	0.00 – 2.29	0.23 – 2.29
10.16/	400	6.77	8.40	11.13	16.08	<b>14.73</b>	<b>20.60</b>	19.45	30.77	30.65	46.39	46.31	73.39	0.00 – 3.05	0.31 – 3.05
12.70/	500	8.48	10.51	13.92	20.12	<b>18.43</b>	<b>25.77</b>	24.33	38.48	38.35	58.02	57.96	91.81	0.00 – 3.81	0.38 – 3.81
15.24/	600	10.18	12.62	16.72	24.15	<b>22.13</b>	<b>30.94</b>	29.22	46.19	46.05	69.65	69.61	110.23	0.00 – 4.57	0.46 – 4.57

Unit: feet

Screen size (diagonal)		Distance to screen (L)												Height from the edge of screen to center of lens (H)	
		Zoom lens													
		ET-DLE080		ET-DLE150		<i>Supplied lens</i>		ET-DLE250		ET-DLE350		ET-DLE450			
[m]	[in]	min.	max.	min.	max.	<i>min.</i>	<i>max.</i>	min.	max.	min.	max.	min.	max.		
1.27/	50	2.6	3.3	4.4	6.5	<b>5.8</b>	<b>8.2</b>	7.7	12.4	12.2	18.6	18.1	29.2	0.0 – 1.3	0.1 – 1.3
1.52/	60	3.2	4.0	5.3	7.8	<b>7.0</b>	<b>9.9</b>	9.4	14.9	14.7	22.5	21.9	35.3	0.0 – 1.5	0.2 – 1.5
1.78/	70	3.8	4.7	6.2	9.1	<b>8.3</b>	<b>11.6</b>	11.0	17.5	17.2	26.3	25.8	41.3	0.0 – 1.8	0.2 – 1.8
2.03/	80	4.3	5.4	7.2	10.4	<b>9.5</b>	<b>13.3</b>	12.6	20.0	19.8	30.1	29.6	47.4	0.0 – 2.0	0.2 – 2.0
2.29/	90	4.9	6.1	8.1	11.7	<b>10.7</b>	<b>15.0</b>	14.2	22.5	22.3	33.9	33.4	53.4	0.0 – 2.3	0.2 – 2.3
2.54/	100	5.4	6.8	9.0	13.1	<b>11.9</b>	<b>16.7</b>	15.8	25.0	24.8	37.7	37.2	59.5	0.0 – 2.5	0.3 – 2.5
3.05/	120	6.6	8.2	10.8	15.7	<b>14.3</b>	<b>20.1</b>	19.0	30.1	29.9	45.4	44.9	71.5	0.0 – 3.0	0.3 – 3.0
3.81/	150	8.2	10.2	13.6	19.7	<b>18.0</b>	<b>25.2</b>	23.8	37.7	37.4	56.8	56.4	89.7	0.0 – 3.8	0.4 – 3.8
5.08/	200	11.0	13.7	18.2	26.3	<b>24.0</b>	<b>33.7</b>	31.8	50.3	50.1	75.9	75.5	119.9	0.0 – 5.0	0.5 – 5.0
6.35/	250	13.8	17.2	22.8	32.9	<b>30.1</b>	<b>42.2</b>	39.8	63.0	62.7	95.0	94.6	150.1	0.0 – 6.3	0.6 – 6.3
7.62/	300	16.6	20.6	27.3	39.5	<b>36.2</b>	<b>50.6</b>	47.8	75.6	75.3	114.0	113.7	180.3	0.0 – 7.5	0.8 – 7.5
10.16/	400	22.2	27.5	36.5	52.8	<b>48.3</b>	<b>67.6</b>	63.8	100.9	100.6	152.2	151.9	240.8	0.0 – 10.0	1.0 – 10.0
12.70/	500	27.8	34.5	45.7	66.0	<b>60.5</b>	<b>84.5</b>	79.8	126.2	125.8	190.4	190.2	301.2	0.0 – 12.5	1.3 – 12.5
15.24/	600	33.4	41.4	54.9	79.2	<b>72.6</b>	<b>101.5</b>	95.9	151.5	151.1	228.5	228.4	361.7	0.0 – 15.0	1.5 – 15.0

- The value for L (distance to screen) varies slightly within ±5% depending on the zoom lens characteristics.
- The zoom lens characteristics may cause slight image distortion.
- When vertical keystone correction is used, the image is corrected in the direction that reduces its projected size.
- The brightness varies depending on the zoom setting.

**Projection distance for 4:3 aspect ratio screen**

Unit: meters				Unit: feet			
Screen size (diagonal)		ET-DLE055 fixed-focus lens		Screen size (diagonal)		ET-DLE055 fixed-focus lens	
		Distance to screen (L)	Height from the edge of screen to center of lens (H)			Distance to screen (L)	Height from the edge of screen to center of lens (H)
[m]	[in]			[m]	[in]		
1.27	50	0.81	0.38	1.27	50	2.7	1.3
1.52	60	0.98	0.46	1.52	60	3.2	1.5
1.78	70	1.15	0.53	1.78	70	3.8	1.8
2.03	80	1.32	0.61	2.03	80	4.3	2.0
2.29	90	1.49	0.69	2.29	90	4.9	2.3
2.54	100	1.66	0.76	2.54	100	5.5	2.5
3.05	120	2.01	0.91	3.05	120	6.6	3.0
3.81	150	2.52	1.14	3.81	150	8.3	3.8
5.08	200	3.38	1.52	5.08	200	11.1	5.0

- The value for L (distance to screen) varies slightly within ±5% depending on the zoom lens characteristics.
  - When vertical keystone correction is used, the image is corrected in the direction that reduces its projected size.
- Note: When the ET-DLE055 is mounted, the optical lens shift function cannot be used.

**Calculation of the projection distance**

For a screen size different from the above, use the equation below to calculate the projection distance.

**Aspect ratio 4:3**

ET-DLE080	minimum	$L (m) = (\text{diagonal screen size in inches}) \times 0.0170 - 0.0471$
	maximum	$L (m) = (\text{diagonal screen size in inches}) \times 0.0211 - 0.0442$
ET-DLE150	minimum	$L (m) = (\text{diagonal screen size in inches}) \times 0.0280 - 0.0540$
	maximum	$L (m) = (\text{diagonal screen size in inches}) \times 0.0403 - 0.0498$
<b>Supplied lens</b>	<b>minimum</b>	<b><math>L (m) = (\text{diagonal screen size in inches}) \times 0.0370 - 0.0746</math></b>
	<b>maximum</b>	<b><math>L (m) = (\text{diagonal screen size in inches}) \times 0.0517 - 0.0725</math></b>
ET-DLE250	minimum	$L (m) = (\text{diagonal screen size in inches}) \times 0.0488 - 0.0800$
	maximum	$L (m) = (\text{diagonal screen size in inches}) \times 0.0771 - 0.0792$
ET-DLE350	minimum	$L (m) = (\text{diagonal screen size in inches}) \times 0.0770 - 0.1351$
	maximum	$L (m) = (\text{diagonal screen size in inches}) \times 0.1163 - 0.1346$
ET-DLE450	minimum	$L (m) = (\text{diagonal screen size in inches}) \times 0.1165 - 0.3017$
	maximum	$L (m) = (\text{diagonal screen size in inches}) \times 0.1842 - 0.2991$
ET-DLE055	(fixed focus)	$L (m) = (\text{diagonal screen size in inches}) \times 0.0171 - 0.0476$

- Distances calculated with the above equations will include a slight error.

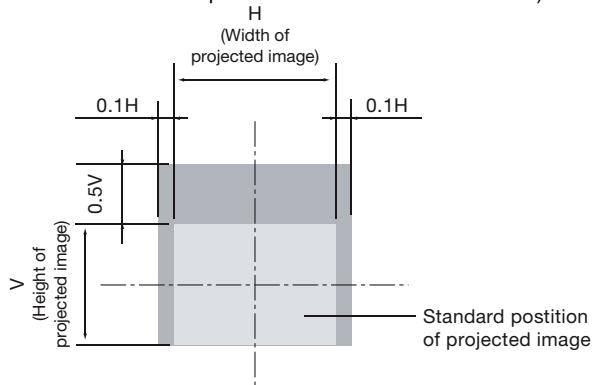


**Shift range**

Optical axis shift function allows to shift the position of a projected image as shown below.

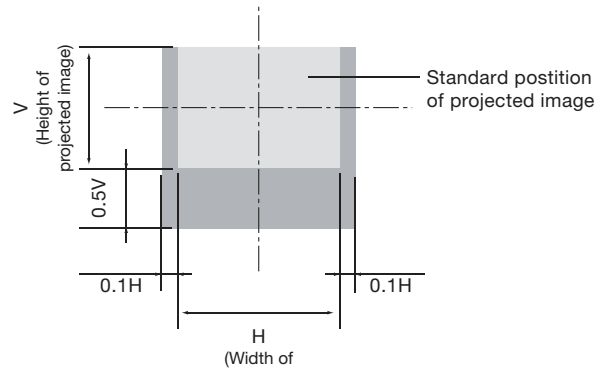
**• Floor mount**

(When the lens except the ET-DLE080 is mounted.)



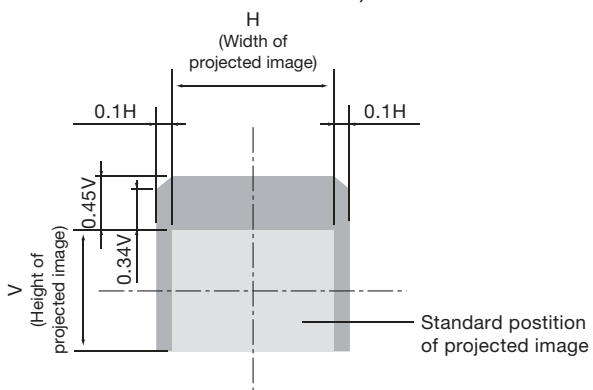
**• Ceiling mount**

(When the lens except the ET-DLE080 is mounted.)



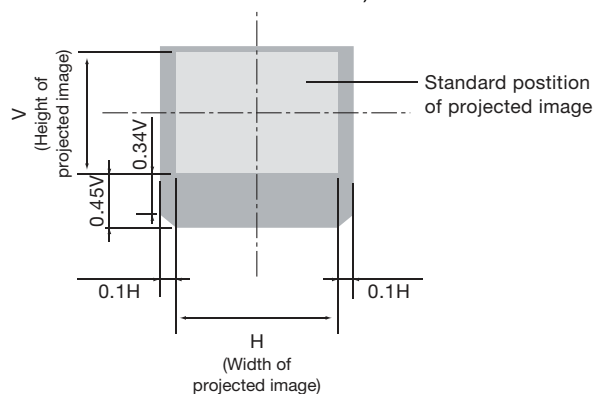
**• Floor mount**

(When the ET-DLE080 is mounted.)



**• Ceiling mount**

(When the ET-DLE080 is mounted.)



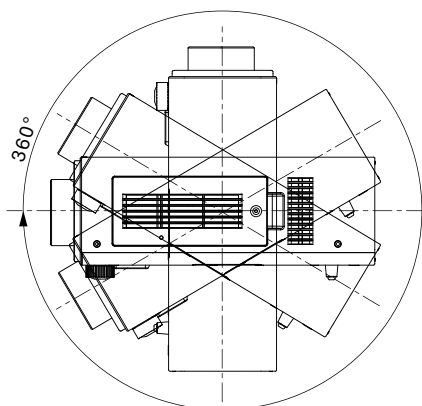
• The ET-DLE055 has a fixed short-focus lens. Therefore, the lens shift function provided in the main unit cannot be used.

**Installable angle**

Install the projector at an angle within the range shown below.

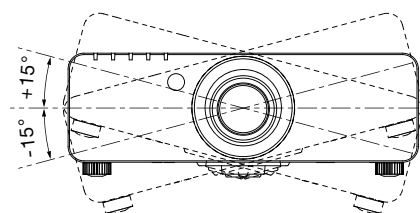
**• Vertical direction**

The projector may be installed at a vertical angle of 360°.



**• Horizontal direction**

The projector may be installed at a horizontal angle of ±15°.



**List of compatible signals**

The signals that can be input to this projector are shown in the table below. Horizontal scanning frequencies of 15 kHz to 91 kHz, vertical scanning frequencies of 50 Hz to 85 Hz, and a dot clock of 162 MHz maximum can be input.

**NOTE:** The native resolution of this projector is 1,024 × 768 pixels. If the display resolution of the input signal is different from the native resolution, image compression or expansion will be used to convert the input signal to a level within the native resolution.

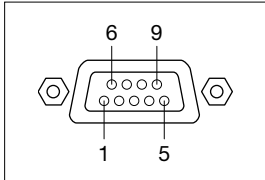
Display mode	Display resolution (dots)*1	Scanning frequency H (kHz)	Scanning frequency V (kHz)	Dot clock frequency (MHz)	Format
NTSC/NTSC4.43/PAL-M/PAL60	720 × 480i	15.7	59.9	–	VIDEO/S-VIDEO
PAL/PAL-N/SECAM	720 × 576i	15.6	50.0	–	
480i (525i)	720 × 480i	15.7	59.9	13.5	YPbPr /RGB
576i (625i)	720 × 576i	15.6	50.0	13.5	
480p (525p)	720 × 483	31.5	59.9	27.0	YPbPr /RGB/
576p (625p)	720 × 576	31.3	50.0	27.0	HDMI/DVI-D
720/60p	1,280 × 720	45.0	60.0	74.3	
720/50p		37.5	50.0	74.3	
1080/60i	1,920 × 1,080i	33.8	60.0	74.3	
1080/50i		28.1	50.0	74.3	
1080/24p	1,920 × 1,080	27.0	24.0	74.3	
1080/24sF	1,920 × 1,080i	27.0	24.0	74.3	
1080/25p	1,920 × 1,080	28.1	25.0	74.3	
1080/30p		33.8	30.0	74.3	
1080/60p		67.5	60.0	148.5	
1080/50p		56.3	50.0	148.5	
VGA400	640 × 400	31.5	70.1	25.2	RGB/HDMI/DVI-D
		37.9	85.1	31.5	
VGA480	640 × 480	31.5	59.9	25.2	
		35.0	66.7	30.2	
		37.9	72.8	31.5	
		37.5	75.0	31.5	
		43.3	85.0	36.0	
SVGA	800 × 600	35.2	56.3	36.0	
		37.9	60.3	40.0	
		48.1	72.2	50.0	
		46.9	75.0	49.5	
		53.7	85.1	56.3	
MAC16	832 × 624	49.7	74.6	57.3	
XGA	1,024 × 768	39.6	50.0	51.9	
		48.4	60.0	65.0	
		56.5	70.1	75.0	
		60.0	75.0	78.8	
		65.5	81.6	86.0	
		68.7	85.0	94.5	
		80.0	100.0	105.0	
		96.7	120.0	130.0	
MXGA	1,152 × 864	64.0	71.2	94.2	
		67.5	74.9	108.0	
		77.1	85.0	119.7	
MAC21	1,152 × 870	68.7	75.1	100.0	
1280 × 768	1,280 × 768	39.6	49.9	65.3	
		47.8	59.9	79.5	
1280 × 800	1,280 × 800	41.3	50.0	68.0	
		49.7	59.8	83.5	
MSXGA	1,280 × 960	60.0	60.0	108.0	
SXGA	1,280 × 1,024	64.0	60.0	108.0	
		80.0	75.0	135.0	
		91.1	85.0	157.5	
SXGA+	1,400 × 1,050	64.0	60.0	108.0	
		82.2	75.0	155.9	
WXGA+	1,440 × 900	55.9	59.9	106.5	
UXGA	1,600 × 1,200	75.0	60.0	162.0	
WSXGA+	1,680 × 1,050	65.3	60.0	146.3	
1920 × 1080*2	1,920 × 1,080	66.6	59.9	138.5	
WUXGA*2	1,920 × 1,200	74.0	60.0	154.0	

1. The “i” appearing after the resolution indicates an interlaced signal.
2. Compliant with VESA CMT-RB (Coordinated Video Timing-Reduced Blanking).

**Serial connector**

The serial connector complies with RS-232C. To control the projector from a personal computer, commands must be input through communication software, based on the format and satisfying the communication conditions shown below.

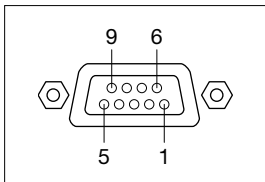
**Pin assignments and signal names**



D-sub 9-pin (female) Serial input

No.	Signal name	Description	No.	Signal name	Description
1	-	NC	6	-	NC
2	TXD	Send data	7	CTS	Connected internally
3	RXD	Receive data	8	RTS	Connected internally
4	-	Connected internally	9	-	NC
5	GND	Ground			

**Pin assignments and signal names**



D-sub 9-pin (male) Serial output

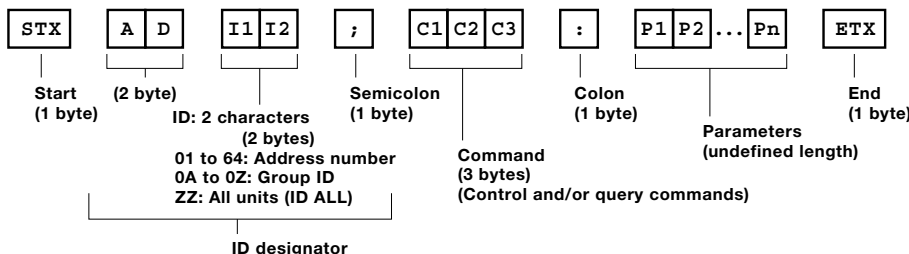
No.	Signal name	Description	No.	Signal name	Description
1	-	NC	6	-	NC
2	RXD	Receive data	7	RTS	Connected internally
3	TXD	Send data	8	CTS	Connected internally
4	-	Connected internally	9	-	NC
5	GND	Ground			

**Communication conditions (factory setting)**

Signal level	RS-232C-compliant
Synchronization method	Start-stop synchronization
Baud rate	9,600 bps
Parity	None
Character length	8 bits
Stop bit	1 bit
X parameter	None
S parameter	None

**Basic format**

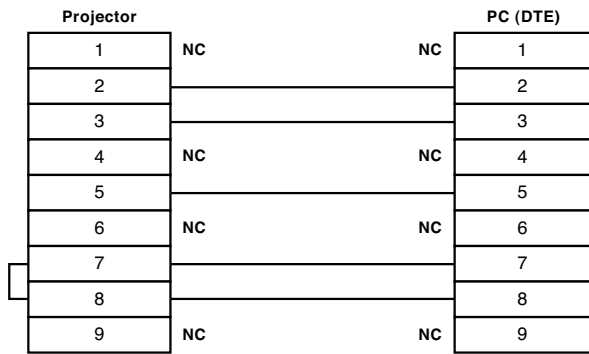
Transmission from the computer begins with STX, then the ID, command, parameter, and ETX are sent in this order. Add parameters according to the details of control.



**CAUTION**

- It may not be possible to send or receive commands for about 10 to 60 seconds when the lamp is first turned on. If this occurs, wait for 60 seconds, then try sending or receiving again.
- When sending multiple commands, be sure to wait for at least 0.5 second after receiving a response from the projector before sending the next command.
- Additional time is sometimes required for response due to processing inside the projector. Set the time-out period for command response to 10 seconds or more.
- When using two or more units:
  - 1) Set different IDs for each unit.
  - 2) Designate only one unit as RESPONSE (ID ALL) ON and the rest as RESPONSE (ID ALL) OFF.
  - 3) Each group should have only one RESPONSE (ID GROUP) ON and the rest should be RESPONSE (ID GROUP) OFF.

**Cable specifications**



**Control commands**

Command : Parameter	Function		Callback
<b>PON</b>	POWER (STANDBY)	Standby power on	<b>PON</b>
<b>POF</b>		Standby power off	<b>POF</b>
<b>IIS:HD1</b>	INPUT SELECT	HDMI	<b>IIS:HD1</b>
<b>IIS:DVI</b>		DVI-D	<b>IIS:DVI</b>
<b>IIS:RG1</b>		RGB 1	<b>IIS:RG1</b>
<b>IIS:RG2</b>		RGB 2	<b>IIS:RG2</b>
<b>IIS:VID</b>		Video	<b>IIS:VID</b>
<b>IIS:SVD</b>		S-Video	<b>IIS:SVD</b>
<b>LPM:0</b>	LAMP SELECT	Dual (two lamps)	<b>LPM:0</b>
<b>LPM:1</b>		Single lamp	<b>LPM:1</b>
<b>LPM:2</b>		Lamp 1	<b>LPM:2</b>
<b>LPM:3</b>		Lamp 2	<b>LPM:3</b>
<b>OSH:0</b>	SHUTTER	Shutter on	<b>OSH:0</b>
<b>OSH:1</b>		Shutter off	<b>OSH:1</b>
<b>OFZ:0</b>	FREEZE	Off	<b>OFZ:0</b>
<b>OFZ:1</b>		On	<b>OFZ:1</b>
<b>OAS</b>	AUTO SETUP		<b>OAS</b>
<b>VPM:NAT</b>	PICTURE MODE	Natural	<b>VPM:NAT</b>
<b>VPM:STD</b>		Standard	<b>VPM:STD</b>
<b>VPM:DYN</b>		Dynamic	<b>VPM:DYN</b>
<b>VPM:CIN</b>		Cinema	<b>VPM:CIN</b>
<b>VPM:GRA</b>		Graphic	<b>VPM:GRA</b>
<b>VPM:709</b>		Rec. 709	<b>VPM:709</b>
<b>VPM:DIC</b>		DICOM	<b>VPM:DIC</b>
<b>VXX:DLVI0=+00000</b>	DAYLIGHT VIEW	Off	<b>VXX:DLVI0=+00000</b>
<b>VXX:DLVI0=+00001</b>		1	<b>VXX:DLVI0=+00001</b>
<b>VXX:DLVI0=+00002</b>		2	<b>VXX:DLVI0=+00002</b>
<b>VXX:DLVI0=+00003</b>		3	<b>VXX:DLVI0=+00003</b>
<b>OTE:1</b>	COLOR TEMPERATURE	Middle	<b>OTE:1</b>
<b>OTE:2</b>		High	<b>OTE:2</b>
<b>OTE:4</b>		User	<b>OTE:4</b>
<b>OTE:10</b>		Default	<b>OTE:10</b>
<b>TSD:y1y2y3y4m1m2d1d2w</b>	DATE	Date setting	<b>TSD:y1y2y3y4m1m2d1d2w</b>
<b>TST:h1h2m1m2s1s2</b>	TIME	Time setting	<b>TST:h1h2m1m2s1s2</b>
<b>OOS:0</b>	ON SCREEN	On-screen display off	<b>OOS:0</b>
<b>OOS:1</b>		On-screen display on	<b>OOS:1</b>

- \* Do not send PON, POF or OSH commands continuously in a short period of time. Doing so may burst the lamp or shorten the lamp replacement cycle.
- \* When a command that cannot be executed during standby mode is sent, the projector will send an ER401 command in reply.

**Status request commands**

Command:Parameter	Function	Callback	Description
QPW	Main power status	000	Off
		001	On
QSH	Shutter function status	0	Off
		1	On
QFZ	Freeze function status	0	Off
		1	On
QIN	Input signal status	HD1	HDMI
		DVI	DVI-D
		RG1	RGB 1
		RG2	RGB 2
		VID	Video
		SVD	S-Video
QOS	On-screen display status	0	Off
		1	On
QST	Projector run time	p1p2p3p4p5	00000h–99999h
Q\$L:1	Lamp 1 run time	p1p2p3p4	0000h–9999h
Q\$L:2	Lamp 2 run time	p1p2p3p4	0000h–9999h
QSL	Lamp operation mode status	0	Dual
		1	Single
		2	Lamp 1
		3	Lamp 2
QLP	Lamp power mode status	0	High
		1	Low
QPM	Picture mode status	NAT	Natural
		STD	Standard
		DYN	dynamic
		CIN	Cinema
		GRA	Graphic
		709	Rec. 709
QVX:DLVIO	Daylight view status	DLVIO=+00000	Off
		DLVIO=+00001	1
		DLVIO=+00002	2
		DLVIO=+00003	3
QTM:0	Temperature status	p1p2p3p4/p5p6p7p8 <sup>(*)1</sup>	p0 = Intake air
QTM:1			p1 = Exhaust air
QTM:2			p2 = Optical module
QGD	Date setting status	y1y2y3y4m1m2d1d2w	yyyymmdd (day of week) <sup>(*)2</sup>
QGT	Time setting status	h1h2m1m2s1s2	hhmmss

\*1 p1p2p3p4: Celsius (°C), p5p6p7p8: Fahrenheit (°F)  
 \*2 Day of week: Monday = 1, Tuesday = 2, ... Sunday = 7

**NOTE: If a wrong command is received, the projector will send an ER401 or ER402 command to the computer.**

**Command example**

To set the on-screen display off, send the command as shown below.

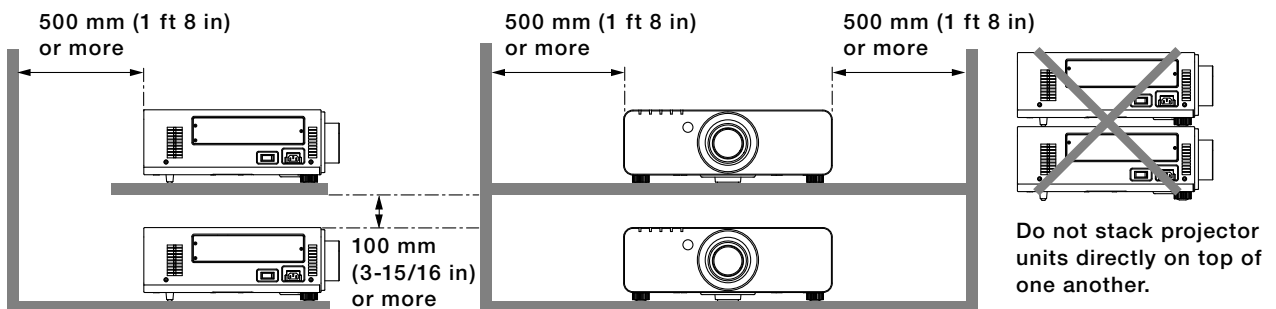


**NOTE: When sending commands without parameters, a colon (:) is not necessary.**

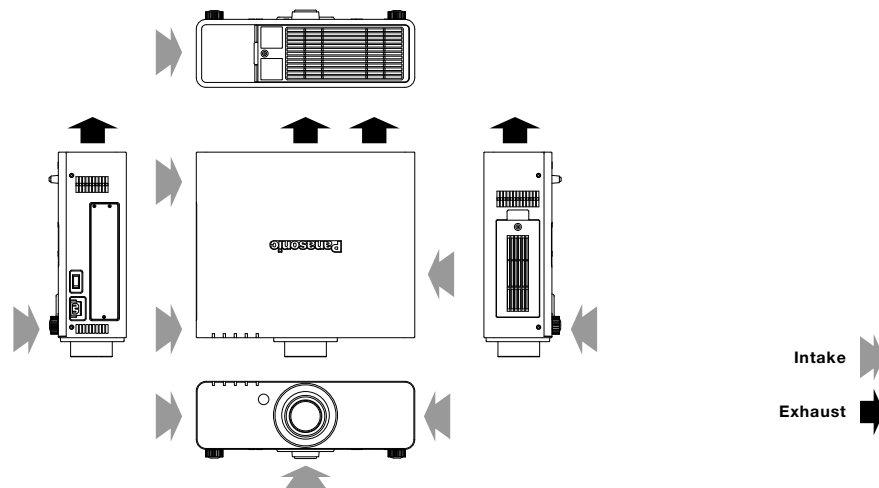
**Notes on projector placement and operation**

The projector uses a high-wattage lamp that becomes very hot during operation. Please observe the following precautions.

1. Never place objects on top of the projector.
2. Make sure there is an unobstructed space of 500 mm (1 feet 8 inches) or more around the projector's exhaust openings.
3. Do not stack projector units directly on top of one another for the purpose of multiple (stacked) projection. When stacking projector units, be sure to provide the amount of space indicated below between them. These space requirements also apply to installations where only one projector unit is operating at one time and the other unit is used as a backup.
4. Make sure that nothing blocks the projector's air intake and exhaust openings. Also, install the projector so that cool or hot air from other air conditioning equipment does not flow directly toward the projector's air intake or exhaust openings.
5. Do not install the projector in an enclosed space. If it is necessary to install it in an enclosed space, add a separate ventilation system. If ventilation is insufficient, hot air will accumulate at the intake opening. This may cause the projector's protective circuit to interrupt projector operation.
6. If the projector is installed in an enclosed space, ensure that the projector's intake and exhaust openings are not blocked. Take particular care to ensure that hot air from the exhaust openings is not sucked into the intake openings.
7. When installing the projector in any manner other than floor mounting with the adjuster legs, use the five threaded ceiling mount holes (screw diameter: M6, projector interior thread length: 12 mm) to secure the projector.



**Direction of air intake and exhaust**



**Operating the projector continuously**

1. If the projector is to be operated continuously for 24 hours, use the dual-lamp optical system's alternating lamp operation (lamp relay) function. Continuously operating the projector for 24 hours in the dual-lamp mode is not recommended. Allow a minimum of two hours per day of non-operation time for each lamp if the projector is to be operated continuously for more than 22 hours.
2. The lamp replacement cycle duration becomes shorter if the projector is operated repeatedly for short periods.

Weights and dimensions shown are approximate. Specifications and appearance are subject to change without notice.  
Product availability differs depending on region and country. This product may be subject to export control regulations.

DLP and the DLP logo are trademarks of Texas Instruments.

PJLink is a registered trademark, or a trademark application has been filed, in Japan, the United States, and other countries and regions.  
All other trademarks are the property of their respective trademark owners.