

LCD PROJECTOR LENS

MODEL NO. LNS-S03

LENS REPLACEMENT AND INSTALLATION PROCEDURES

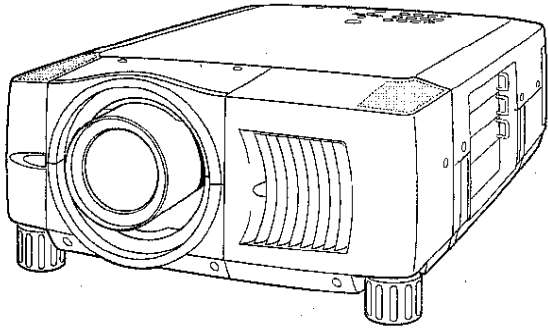
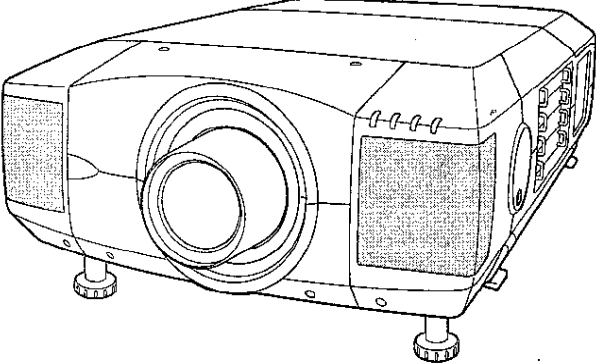
NOTES ON REPLACEMENT AND INSTALLATION

The procedures and the needed parts for lens installation depend on the type of cabinet. Before installing or replacing the lens, make sure the type of cabinet and be sure to refer to the Installations corresponding with your projector.

When installing or replacing the lens, make sure the Lens Model No. matches with your projector. Refer to the catalog, or contact your sales dealer for the proper Lens Model No.

TYPE OF THE CABINET AND INSTALLATION PROCEDURES

Refer to the Installation procedure corresponding to your projector and install the lens correctly. (See the chart below.)

Type of the Cabinet (1) See Page 2	Type of the Cabinet (2) See Page 6
	

- For use the other models (other than above cabinet), contact your sales dealer.

NOTES ON LENS INSTALLATION

- Lens installation and replacement should be made by the qualified service personnel.
- Be sure to install the lens following this procedure precisely.
- The lens cover is on the lens for protection. Be sure to replace the lens cover before installation.
- When installing or replacing the lens, be careful not to stain, scratch or damage the lens.

LIST OF CONTENTS

Following parts are included in the packing.

- LENS 1 pc.
- DRIVER 1 pc.



BE SURE TO CHECK FOR SAFETY

After installing or replacing the lens, be sure to check the following for safety.

1. Check the lens is securely fixed by 4 screws.
2. Check no part is missing, or no mounting part is loose.

Some parts are not used for installation or replacement. Keep these parts for later use.

Note : Figures in this manual may be differ from the actual product.

LENS REPLACEMENT AND INSTALLATION PROCEDURE {Type (1) Cabinet}

- 1 Remove Lower Lens Cover. Remove 2 Screws A. Push part B and pull Lower Lens Cover down. (See Fig. 1.)

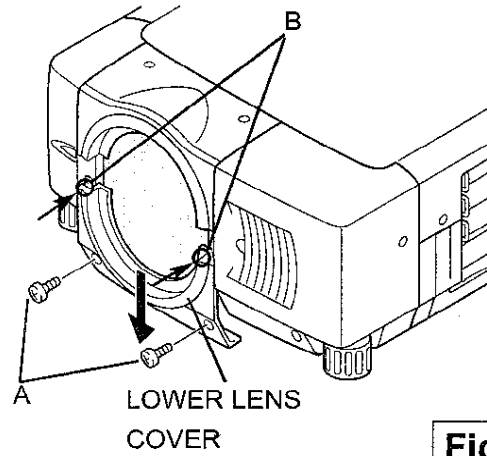


Fig-1

- 2 Remove 4 Screws C. Pull Upper Lens Cover toward front and remove. (See Fig. 2.)

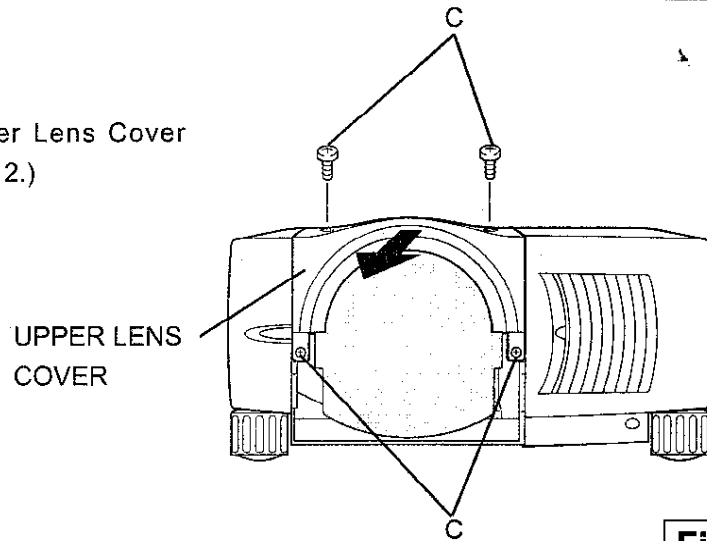


Fig-2

- 3 Remove 2 Screws D and Cover Plate on the back of Upper Lens Cover. (See Fig. 3.)

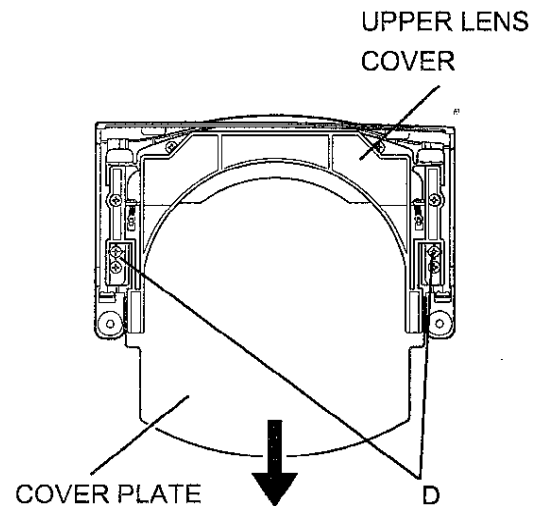


Fig-3

- 4 Replace Lens Cap on the rear (mounting side) of Projection Lens and mount the lens on Lens Mounting Bracket with 4 Screws. To mount the lens with Lens Motor on the right. (See Fig. 4.)

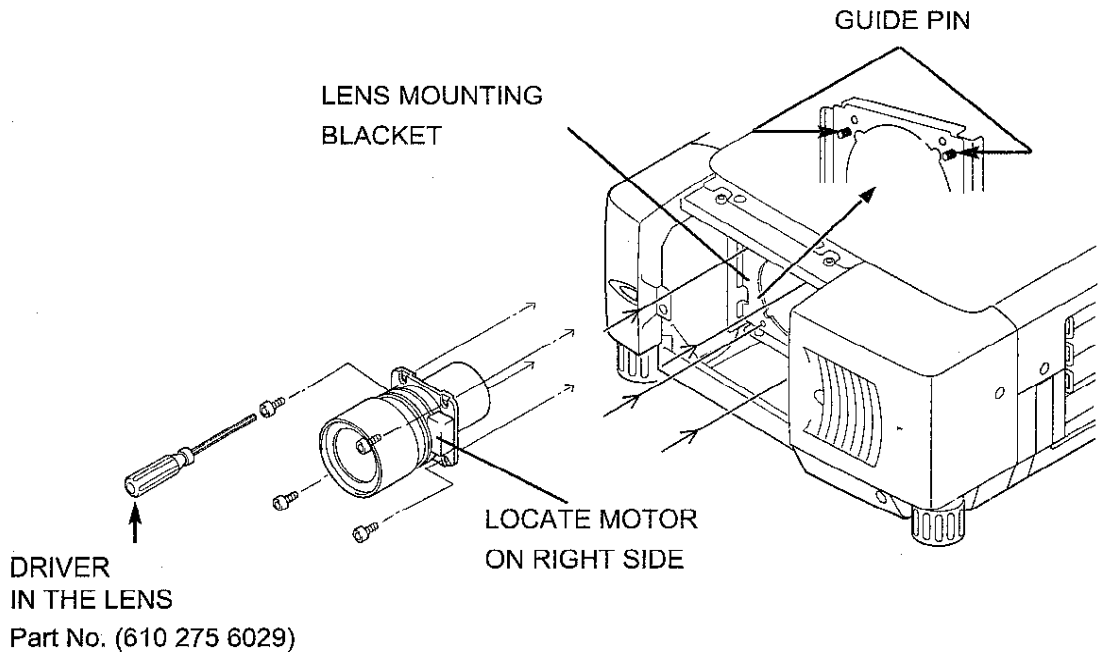


Fig-4

- 5 Connect Lens Motor Lead to the connector "K96T" on the circuit board under the lens.

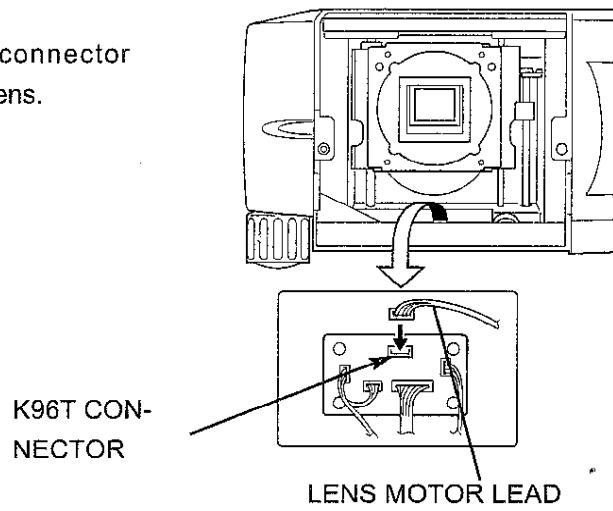


Fig-5

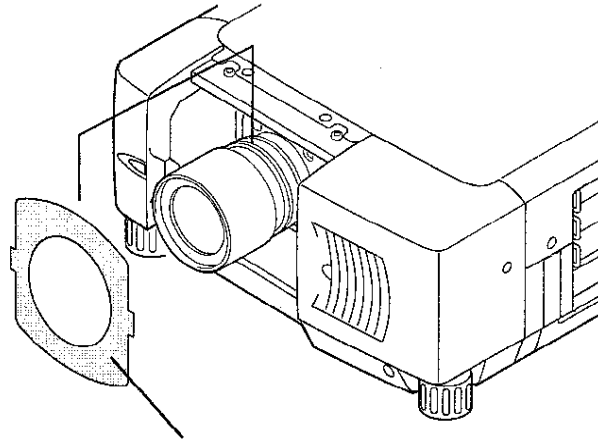
- 6** Use a Light-Block Sheet (provided with projector) corresponding with lens. (Refer to the Type No. below.) Set Light-Block Sheet through the lens.
Make sure the shape of Light-Block Sheet and be sure to set them as shown in the Fig. 6.

NOTE:

- Be sure to set a Light-Block Sheet as shown in Fig-6.
- Make sure the mark (TOP and BACK) on Light-Block Sheet and set them properly.

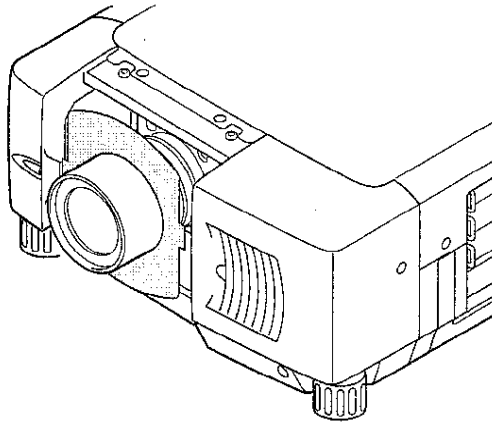
Use light-block sheet Type No. TYPE FD1 (PART No. 610 290 9258)

Fig-6



LIGHT BLOCK SHEET

Make sure the sheet figure and put on proper position.



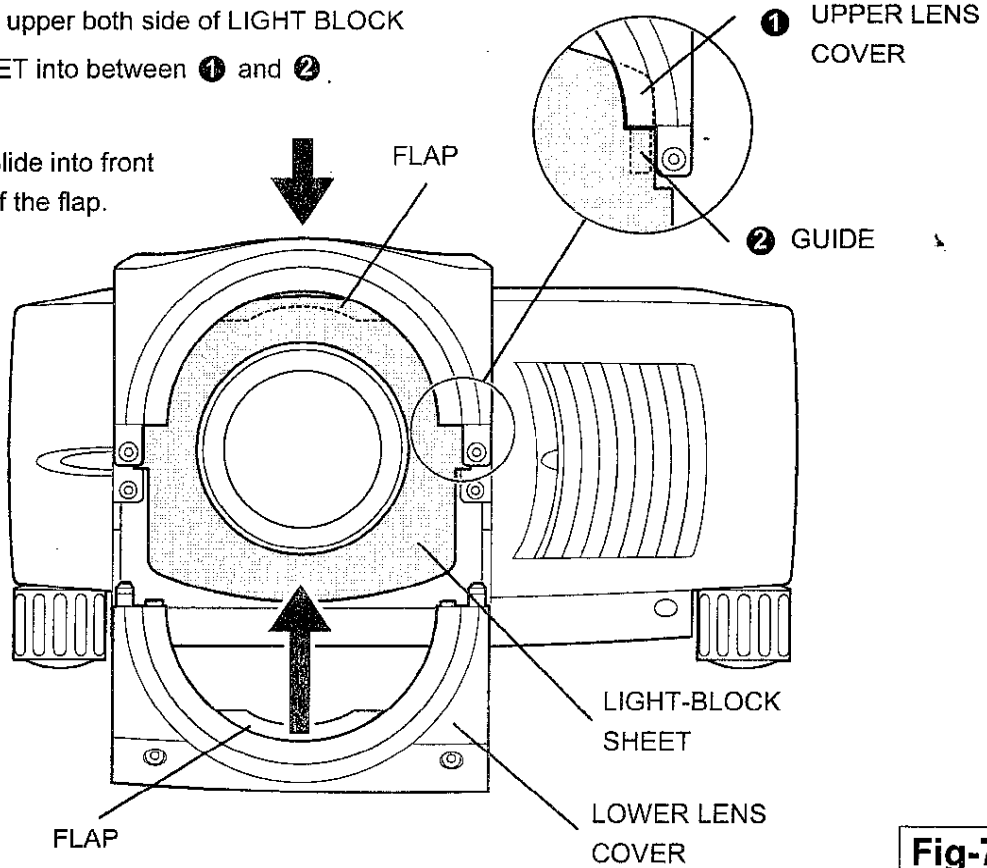
7 Replace Upper Lens Cover. Slide Light-Block Sheet into the guide of Upper Lens Cover and set them in front of the flap. (See Fig. 7.) Fix Upper Lens Cover with 4 Screws C. (See Fig. 2.)

8 Replace Lower Lens Cover. Slide Light-Block Sheet into the guide of Lower Lens Cover and set them in front of the flap. (See Fig. 7.) Fix Lower Lens Cover with 2 Screws A. (See Fig. 1.)

9 Turn the projector on and operate Lens shift, Zoom and Focus fully to check Light-Block Sheet. If Light-Block Sheet interfere with those operations, check Light-Block Sheet is set properly.

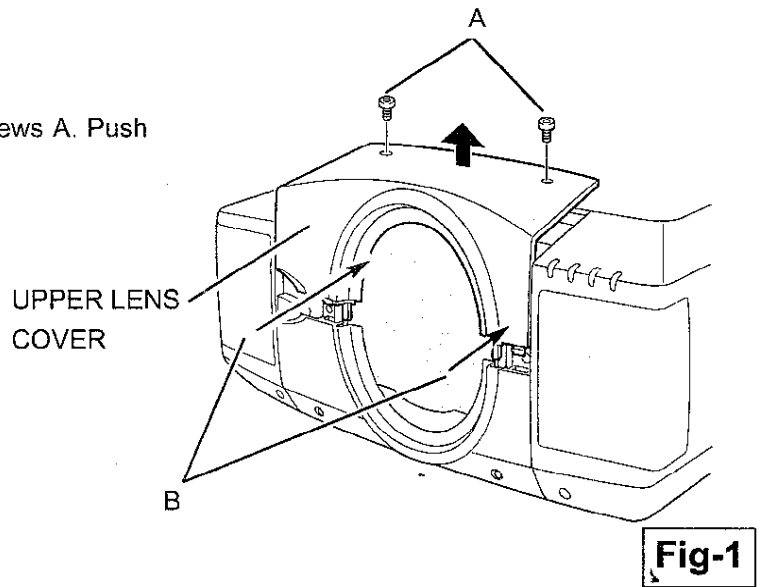
Slide upper both side of LIGHT BLOCK SHEET into between ① and ②.

Slide into front of the flap.

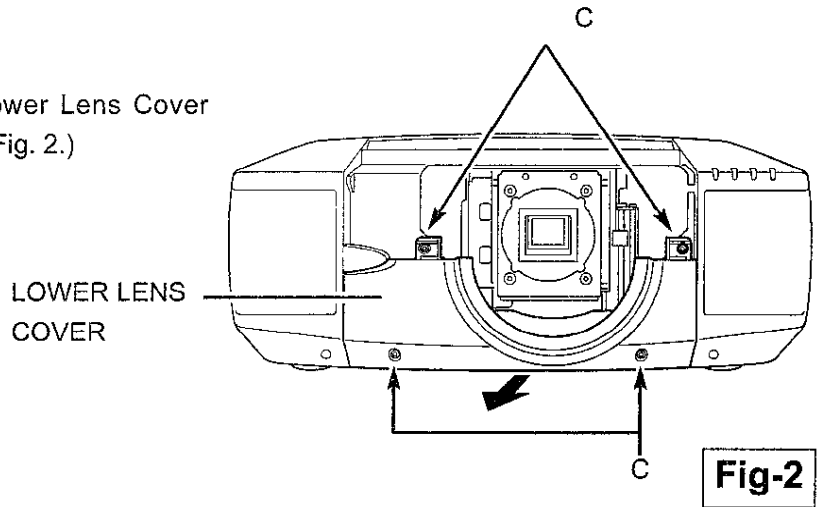


LENS REPLACEMENT AND INSTALLATION PROCEDURE {Type (2) Cabinet}

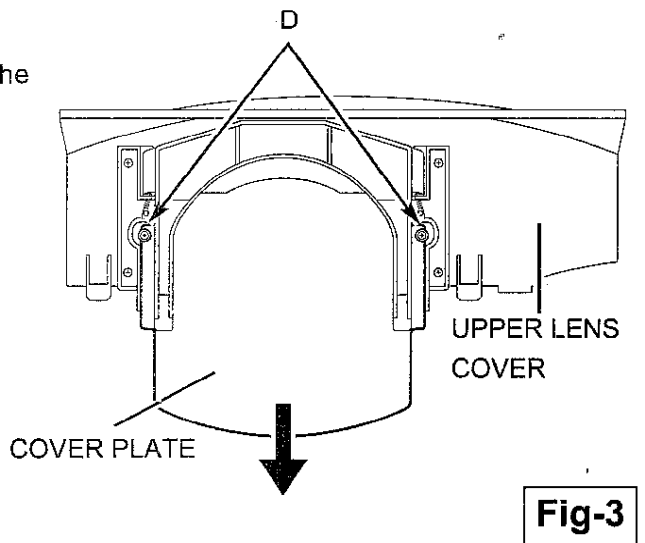
- 1** Remove Lens Cover. Remove 2 Screws A. Push part B and pull Upper Lens Cover up. (See Fig. 1.)



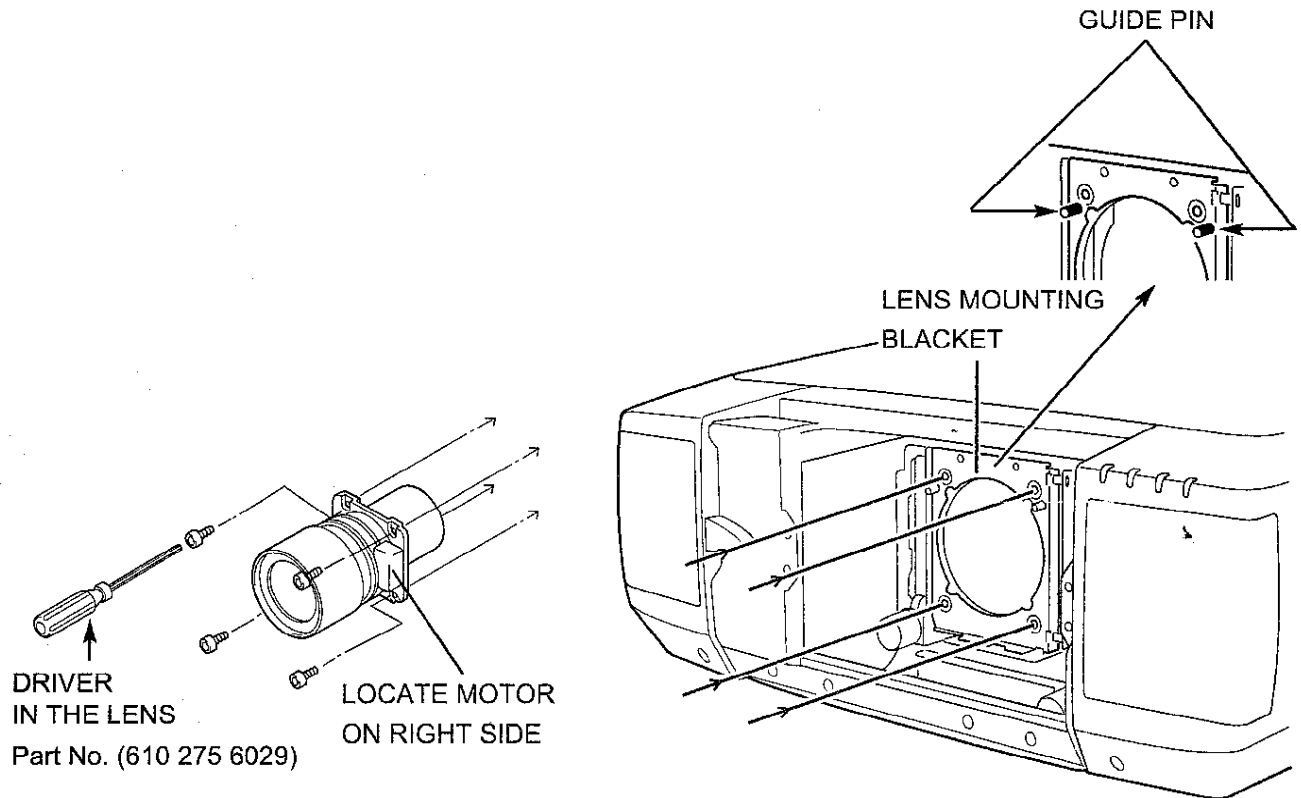
- 2** Remove 4 Screws C. Pull Lower Lens Cover toward front and remove. (See Fig. 2.)



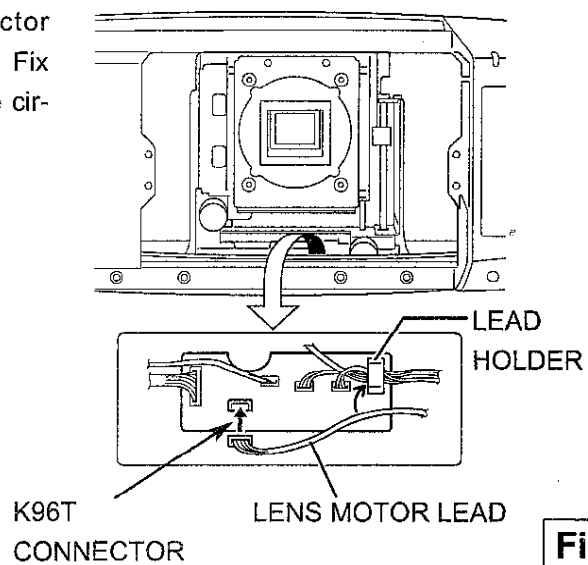
- 3** Remove 2 Screws D and Cover Plate on the back of Upper Lens Cover. (See Fig. 3.)



- 4 Replace Lens Cap on the rear (mounting side) of Projection Lens and mount the lens on Lens Mounting Bracket with 4 Screws. To mount the lens with Lens Motor on the right. (See Fig. 4.)



- 5 Connect Lens Motor Lead to the connector "K96T" on the circuit board under the lens. Fix Lens Motor Lead with the lead holder on the circuit board.



- 7 Replace Lower Lens Cover. Slide Light-Block Sheets into the guide of Lower Lens Cover and set them in front of the flap. (See Fig. 7.) Fix Lower Lens Cover with 4 Screws C. (See Fig. 2.)
- 8 Replace Upper Lens Cover. Slide Light-Block Sheets into the guide of Upper Lens Cover and set them in front of the flap. (See Fig. 7.) Fix Upper Lens Cover with 2 Screws A. (See Fig. 1.)
- 9 Turn the projector on and operate Lens shift, Zoom and Focus fully to check Light-Block Sheets. If Light-Block Sheets interfere with those operations, check Light-Block Sheets are set properly.

Slide upper both side of LIGHT BLOCK SHEETS into between ① and ②.

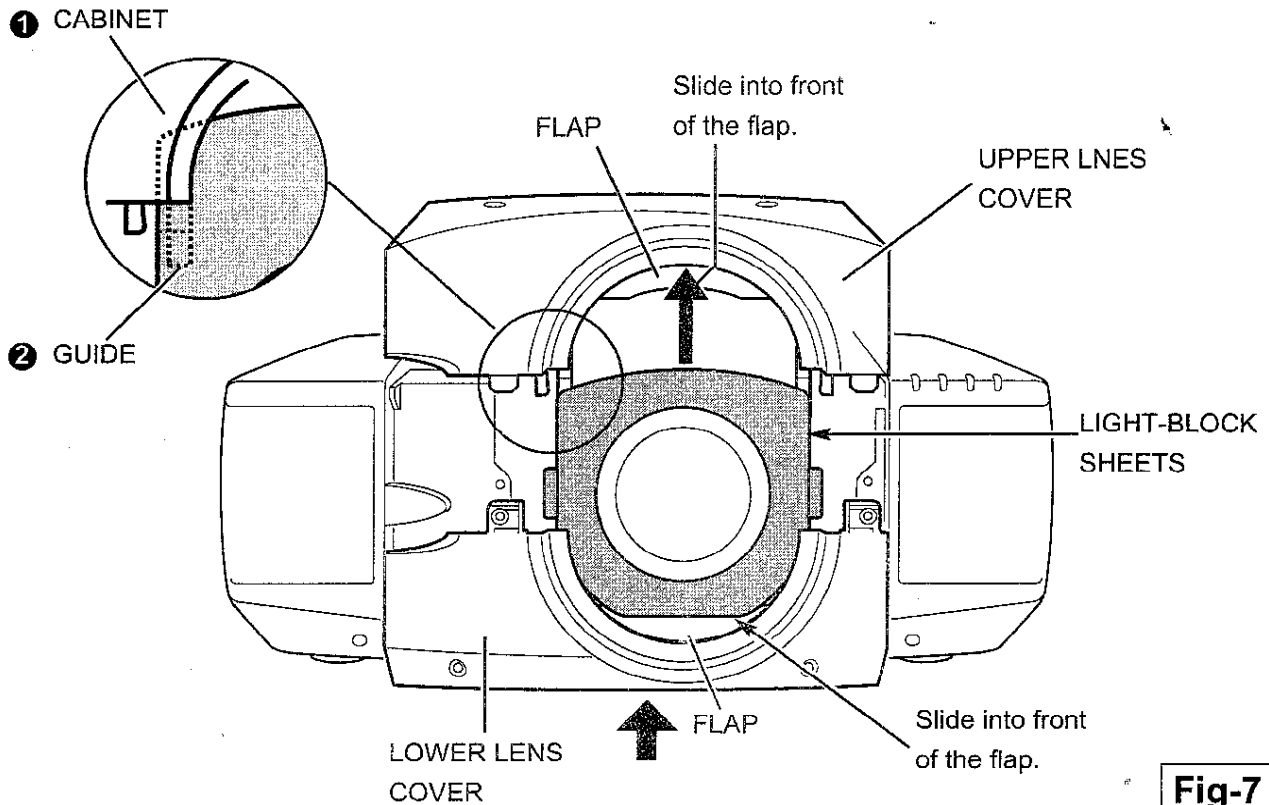


Fig-7