

SONY
make.believe



VPL-E Series Data Projectors

VPL-EW130
VPL-EX175
VPL-EX145
VPL-EX120
VPL-EX100



BrightEra™

HDMI

Low Maintenance, Good TCO, and Easy Operation

The VPL-E Series is a line of low maintenance compact projectors suggested for use in education or corporate applications.

Sony's VPL-E Series data projectors are designed to deliver a low total cost of ownership thanks to a long-lasting lamp design and low power consumption. The VPL-EW130 presents clear and dynamic images in native WXGA (1,280 x 800) resolution on a widescreen with a high brightness of 3000 lumens*, while the VPL-EX175, VPL-EX145, VPL-EX120, and VPL-EX100 provide high picture quality in native XGA resolution and a high brightness of 3600 lumens, 3100 lumens, 2600 lumens, and 2300 lumens, respectively. Delivering superb images along with simple operation, Sony's VPL-E Series projectors provide an excellent balance between quality and cost, making them a good choice for use in education or corporate.



* ISO 21118

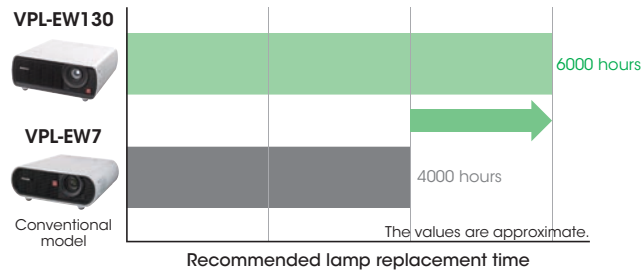
FEATURES

Cost-efficient, Energy-efficient Design

Long-lasting Lamp

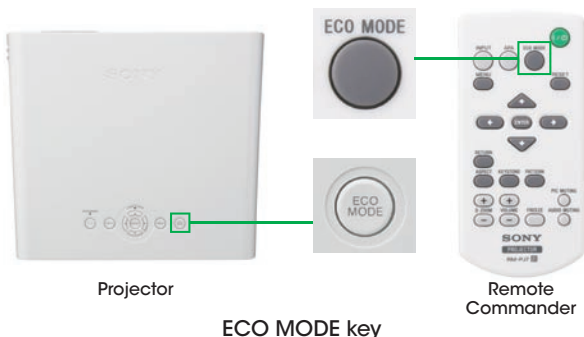
By incorporating a newly developed high-performance lamp and advanced lamp-control technology, VPL-E Series projectors deliver an extremely long recommended lamp replacement time of 6,000 hours in low mode.*

* Expected maintenance time, not guaranteed. Lamp performance will vary based on operating environment and use.



ECO MODE Key

With a single push of the ECO MODE key on either the projector or the supplied Remote Commander® unit, users can switch to the ECO setting.



	ECO MODE key		ECO setting
Lamp Mode	High	Standard	Low
Power Saving Mode	Off	Lamp-Off	Standby
Standby Mode	Standard		Low

ECO MODE menu

Lamp and Filter Synchronized Maintenance

When it's time to clean the air filter, a reminder message is displayed on screen. Like the lamp, the air filter has a recommended 6,000-hour cleaning cycle. The filter only needs to be cleaned when the lamp is changed, saving maintenance effort and cost.

Power Saving Mode

If no signal is input for 10 minutes, the projector lamp automatically turns off.

Low Power Consumption

The VPL-E Series offers remarkably low power consumption compared to conventional Sony models, allowing users to make significant savings on their electricity expenses.

Simple Projector Replacement

The standard 1.3x zoom lens enables installation flexibility when replacing an existing projector with the VPL-E Series. There's no need to change ceiling mount positions.

High Picture Quality

High Picture Quality and Bright Images

By combining a new generation of inorganic LCD panels that utilize Sony's BrightEra® technology with a 3LCD projection system, the VPL-EW130, VPL-EX175, VPL-EX145, and VPL-EX120 offer high picture quality and brightness.

* BrightEra with Long Lasting Optics™ is the Sony brand name for a new generation of optical system, which uses a more advanced version of Sony's original BrightEra technology. In addition to adopting LCD panels that have pixels with large aperture ratios and inorganic alignment layers, BrightEra with Long Lasting Optics technology also uses an inorganic layer for polarization plates to greatly enhance reliability.

3LCD Projection Offers

Brilliant Color Performance

The VPL-E Series adopts a 3LCD projection system incorporating three LCD panels. This system enables each projector to present bright and natural images.

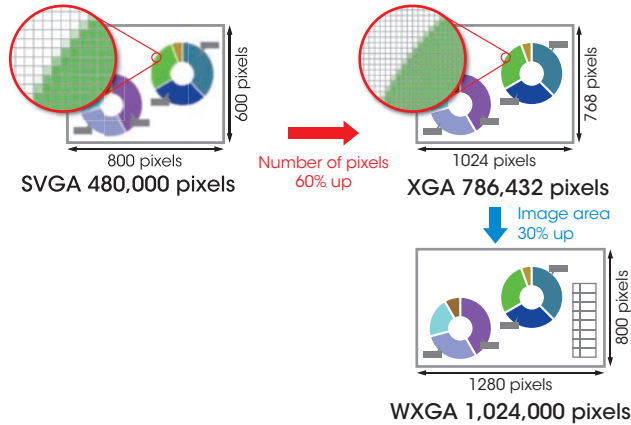


simulated image

WXGA/XGA Resolution

The VPL-EX175, VPL-EX145, VPL-EX120, and VPL-EX100 offer native XGA resolution for high picture quality. XGA resolution of 1024 x 768 contains 60% more pixels compared to SVGA resolution of 800 x 600. As a result, XGA resolution delivers much greater detail and finer images.

Furthermore, the VPL-EW130 can present dynamic images in native WXGA resolution on a widescreen. WXGA resolution allows projection in a wider display range compared to SVGA and XGA resolution. More information can be displayed on the screen.



12-bit 3D Gamma Correction

The VPL-E Series incorporates 12-bit 3D gamma correction circuitry to perform highly accurate gamma correction, achieving smooth gradations and rich gray scale.

I/P Conversion and Film Mode

The video signal processing technology that Sony has incorporated in the VPL-E Series offers I/P conversion and 2-3 pull-down to generate high-quality images with outstanding clarity.

Easy-to-use Functions

Image Freeze

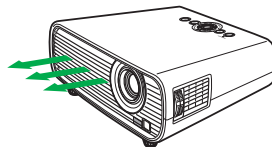
The Image Freeze function can display a freeze frame which allows the presenter to prepare or switch to the next image.

Off and Go

Once a presentation is complete, a VPL-E Series projector can be immediately moved to the next location, simply by turning it off and unplugging the AC power cord – there's no need to wait for the fan to stop.

Front Exhaust

Users can run an optimum presentation even in a quiet environment, and participants seated to the side of the projector are not bothered by hot air and noise.



Unique and functional design

Other Features

Auto Keystone Adjustment

Corrects any trapezoidal distortion automatically

Picture (Audio) Muting

Mutes the image/audio

6 Picture Modes

Six selectable picture modes according to the picture source

Security Pack

Security lock (password and mechanical), security bar, and panel key lock

Direct Power On/Off

Direct power control using the circuit breaker on the switch board

High Altitude Mode

For projector operation at high altitude

Closed Captioning

Official teletext broadcasting, developed by the NCI, USA

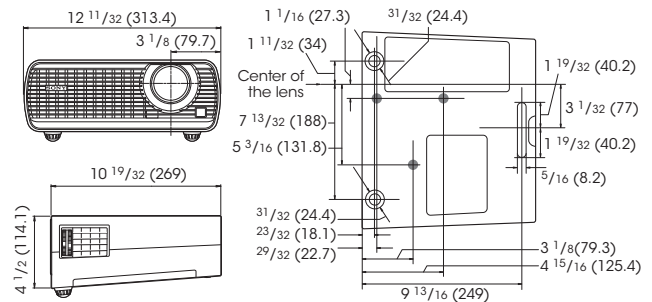
Network and Control

Controls and monitors projector status
Compatible with various control systems



DIMENSIONS

Unit: inches (mm)

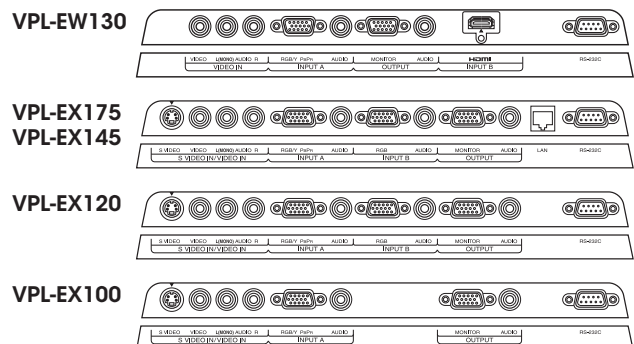


OPTIONAL ACCESSORY



LMP-E211
Projector Lamp (for replacement)

CONNECTOR PANELS



SPECIFICATIONS

		VPL-EW130	VPL-EX175	VPL-EX145	VPL-EX120	VPL-EX100
Display system		3 LCD system				
Display device	Size of effective display area	0.59" (15.0 mm) x 3, BrightEra, Aspect ratio: 16:10	0.63" (16.0 mm) x 3, BrightEra, Aspect ratio: 4:3			0.63" (16.0 mm) x 3, Aspect ratio: 4:3
	Number of pixels	3,072,000 (1280 x 800 x 3) pixels	2,359,296 (1024 x 768 x 3) pixels			
Projection lens	Zoom	Manual (Approx. 1.3 x)				
	Focus	Manual				
Light source		Ultra High Pressure lamp 210 W type				
Recommended lamp replacement time*1		3000 H / 4500 H / 6000 H (Lamp mode: High / Standard / Low)				
Filter cleaning cycle		Max. 6000 H*1 / Same time as the lamp replacement is recommended				
Screen size		25" to 200" (0.635 m to 5.08 m)	30" to 300" (0.762 m to 7.62 m)			
Light output (Lamp mode: High / Standard / Low)		3000 lm / 2300 lm / 1800 lm	3600 lm / 2700 lm / 2200 lm	3100 lm / 2500 lm / 2000 lm	2600 lm / 2100 lm / 1700 lm	2300 lm / 1800 lm / 1500 lm
Color light output (Lamp mode: High / Standard / Low)		3000 lm / 2300 lm / 1800 lm	3600 lm / 2700 lm / 2200 lm	3100 lm / 2500 lm / 2000 lm	2600 lm / 2100 lm / 1700 lm	2300 lm / 1800 lm / 1500 lm
Contrast ratio (full white / full black)*2		2600:1	4000:1		2500:1	2200:1
Speaker		1 W x 1 (monaural)	10 W x 1 (monaural)		1 W x 1 (monaural)	
Displayable scanning frequency	Horizontal	19 kHz to 92 kHz	14 kHz to 93 kHz			
	Vertical	48 Hz to 92 Hz	47 Hz to 93 Hz			
Display resolution	Computer signal input	Maximum input signal resolution: 1400 x 1050 (resizing display) Panel display resolution: 1280 x 800 pixels	Maximum input signal resolution: 1600 x 1200 (resizing display) Panel display resolution: 1024 x 768 pixels			
	Video signal input	NTSC, PAL, SECAM, 480/60i, 576/50i, 480/60p, 576/50p, 720/60p, 720/50p, 1080/60i, 1080/50i				
Color system		NTSC3.58, PAL, SECAM, NTSC4.43, PAL-M, PAL-N, PAL60				
Keystone correction		Vertical: Max. +/- 30 degrees*3				
OSD language		20-languages (English, Dutch, French, Italian, German, Spanish, Portuguese, Turkish, Polish, Russian, Swedish, Norwegian, Japanese, Simplified Chinese, Traditional Chinese, Korean, Thai, Vietnamese, Arabic, Farsi)				
Computer and video signal input/output	INPUT A	RGB / Y Pb Pr input connector: Mini D-sub 15-pin (female), Audio input connector: Stereo mini jack				
	INPUT B	HDMI®	RGB input connector: Mini D-sub 15-pin (female), Audio input connector: Stereo mini jack			–
	S VIDEO IN	–	S video input connector: Mini DIN 4-pin, Audio input connector: Pin jack (x2) (shared with VIDEO IN)			
	VIDEO IN	Video input connector: Pin jack, Audio input connector: Pin jack (x2)	Video input connector: Pin jack, Audio input connector: Pin jack (x2) (shared with S VIDEO IN)			
OUTPUT		Monitor output connector*4: Mini D-sub 15-pin (female), Audio output connector*5: Stereo mini jack (variable out)				
Control signal input/output		RS-232C connector: D-sub 9-pin (female)				
		–	LAN connector: RJ45, 10BASE-T/100BASE-TX		–	
Operating temperature (Operating humidity)		32°F to 104°F / 0°C to 40°C (20% to 80%; no condensation)	32°F to 104°F / 0°C to 40°C (35% to 85%; no condensation)			
Storage temperature (Storage humidity)		14°F to 140°F / -10°C to 60°C (20% to 80%; no condensation)	-4°F to +140°F / -20°C to +60°C (10% to 90%; no condensation)			
Power requirements		AC 100 V to 240 V, 3.0 A to 1.3 A, 50 Hz / 60 Hz	AC 100 V to 240 V, 3.3 A to 1.3 A, 50 Hz / 60 Hz			
Power consumption	AC 100 V to 120 V	290 W / 240 W / 205 W	320 W / 275 W / 245 W		300 W / 265 W / 235 W	
	AC 220 V to 240 V	275 W / 225 W / 190 W	310 W / 265 W / 235 W		290 W / 255 W / 225 W	
Standby mode power consumption	AC 100 V to 120 V	3 W / <1.0 W (Standby mode: Standard / Low)	9 W / <1.0 W (Standby mode: Standard / Low)		8 W / <1.0 W (Standby mode: Standard / Low)	
	AC 220 V to 240 V	3 W / <1.0 W (Standby mode: Standard / Low)	11 W / <1.0 W (Standby mode: Standard / Low)		10 W / <1.0 W (Standby mode: Standard / Low)	
Heat dissipation	AC 100 V to 120 V	990 BTU	1091 BTU		1023 BTU	
	AC 220 V to 240 V	940 BTU	1057 BTU		989 BTU	
Outside dimensions		W 12 11/32 x H 4 1/2 x D 10 19/32 in (W 313.4 x H 114.1 x D 269 mm) (without protrusion)				
Weight		6 lb 15 oz / 3.2 kg	7 lb 4.4 oz / 3.3 kg		7 lb 0.88 oz / 3.2 kg	
Supplied accessories		RM-PJ7 Remote Commander (1), Lithium Battery: CR2025 (1), Mini D-sub 15-pin cable (1), Lens Cap (1), Operating Instructions (1), Quick Reference Manual (1), AC power cord (1)				
		–				Carrying case (1)

*1: Expected maintenance time, not guaranteed. Lamp and filter performance will vary based on operating environment and use. *2: The value is average. *3: Depends on resolution. *4: From INPUT A/INPUT B (INPUT B is available only for the VPL-EX175/EX145/EX120). *5: Works as an audio switcher function. From current channel only. Not available in standby.

© 2011 Sony Electronics Inc. All rights reserved.
 Reproduction in whole or in part without written permission is prohibited.
 Features and specifications are subject to change without notice.
 Sony, the Sony logo, the Sony make, believe logo, BrightEra and its logo, and Remote Commander are trademarks of Sony.
 Trademark PJLink is a trademark applied for trademark rights in Japan, the United States of America and other countries and areas.
 HDMI and the HDMI logo are registered trademarks of HDMI Licensing LLC.
 All other trademarks are the property of their respective owners.

Sony Electronics Inc.
 1 Sony Drive
 Park Ridge, NJ 07656
 sony.com/professional

DI0231 (MK10724V3)

Printed in USA (4/11)