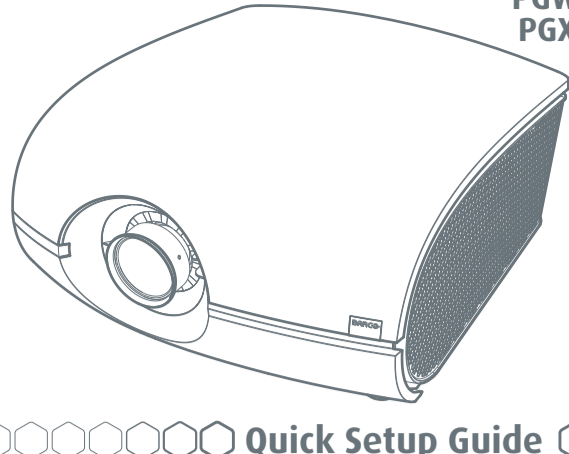


Congratulations on purchasing this product

**PGWU-61B
PGWX-61B
PGXG-61B**

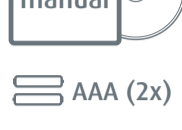


Quick Setup Guide

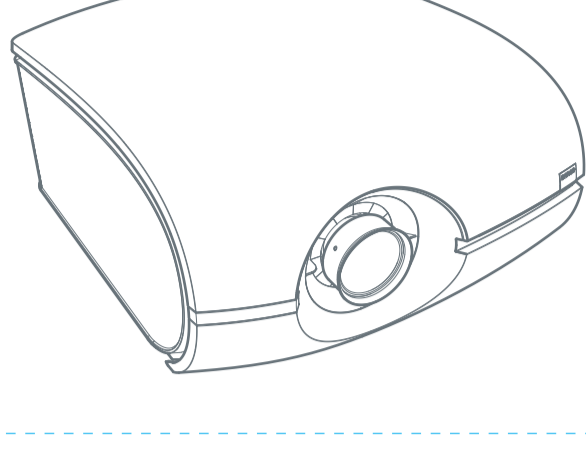
1 Packaging Contents



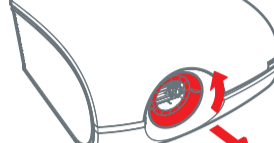
(EU/US/CH)



AAA (2x)

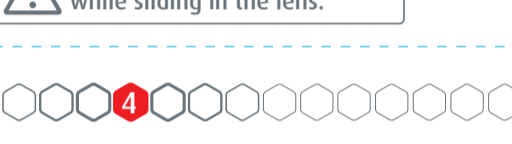


2 Lens Assembly A



Remove protective covers from both ends of the lens before starting assembly.

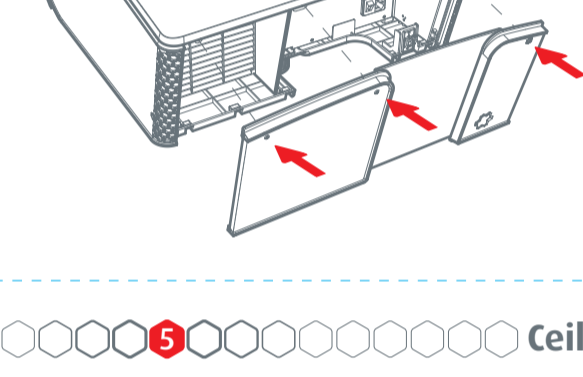
3 Lens Assembly B



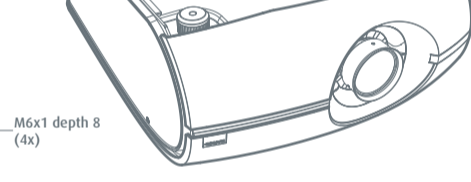
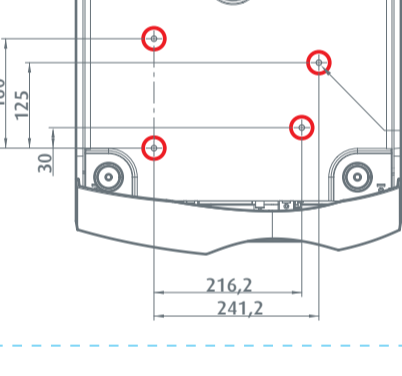
Pull the lever towards the front while sliding in the lens.

4 Rear Cover

Loosen 3 screws to remove rear cover and gain access to the inputs panel.



5 Ceiling Mount*

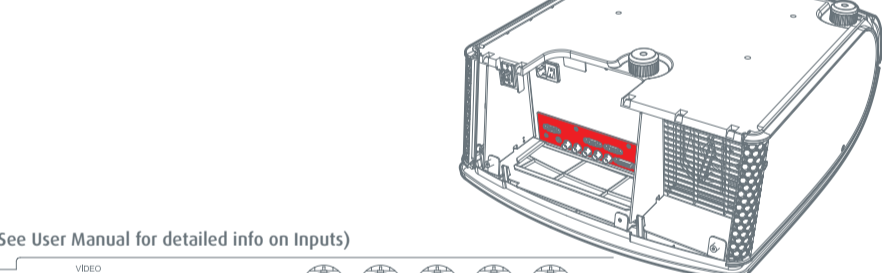


Unit Weight: 18 kg max.

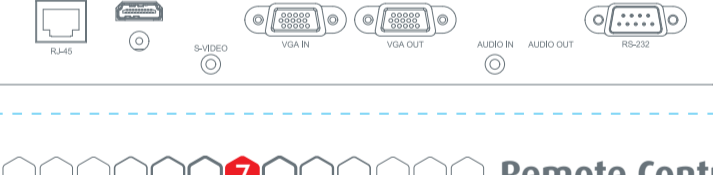
Please check the manual of your supportsystem for compatibility

*(ceiling mount system is not included)

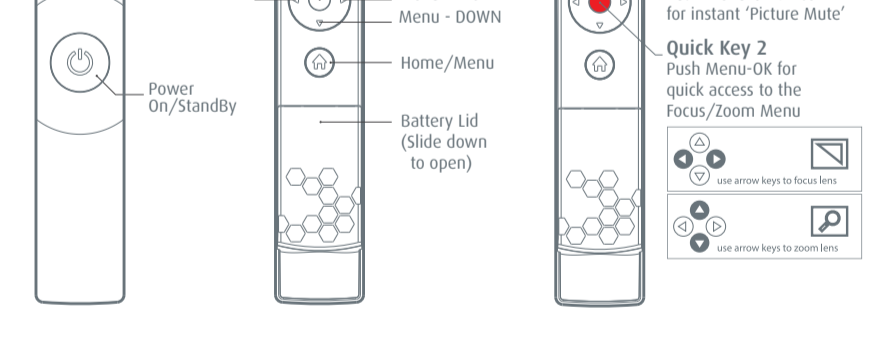
6 Input Cables



(See User Manual for detailed info on Inputs)



7 Remote Control



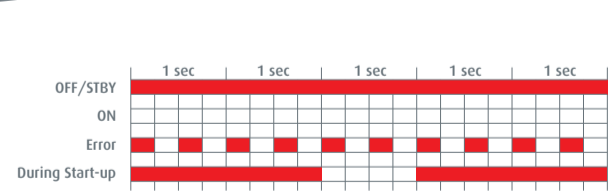
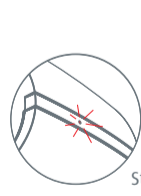
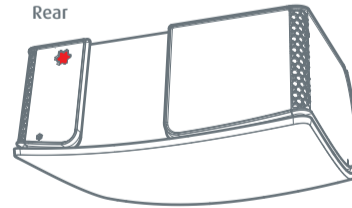
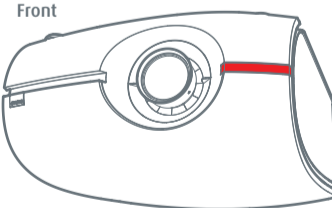
Quick Key 1
Push Menu-UP twice for instant 'Picture Mute'

Quick Key 2
Push Menu-OK for quick access to the Focus/Zoom Menu

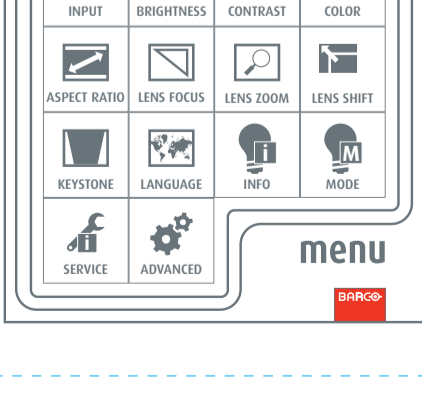
use arrow keys to focus lens

use arrow keys to zoom lens

8 Starting Projector



9 OSD Lite Menu



- INPUT** _____ Toggle between input sources
- BRIGHTNESS** _____ adjust lamp brightness level
- CONTRAST** _____ adjust image contrast
- COLOR** _____ adjust image colour
- ASPECT RATIO** _____ modify image aspect ratio
- LENS FOCUS** _____ adjust lens focus
- LENS ZOOM** _____ adjust lens zoom
- LENS SHIFT** _____ adjust lens shift
- KEYSTONE** _____ adjust keystone
- LANGUAGE** _____ select language
- INFO** _____ information on lamp status
- MODE** _____ normal/eco/power
- SERVICE** _____ service information
- ADVANCED** _____ see user manual

10 Important Info

- Remove the lens before transporting the projector.
- To save lamp lifetime, first switch the projector to standby mode and wait two minutes, then switch off the main power.
- Do not block the projector in -and outlets.
- Do not block the ventilation in -and outlets.
- Using the projector at a non recommended tilt angle will reduce the lifetime of the lamps or create unexpected behaviour of the unit.
- Laser light can cause severe damage to the DMD. This damage is not covered by warranty.



For more information and Maintenance Guidelines, check the Detailed User Manual on: <http://www.barco.com/en/products-solutions/projectors>