

Congratulations on purchasing this product

PHXG-91B
PHWX-81B
PHWU-81B

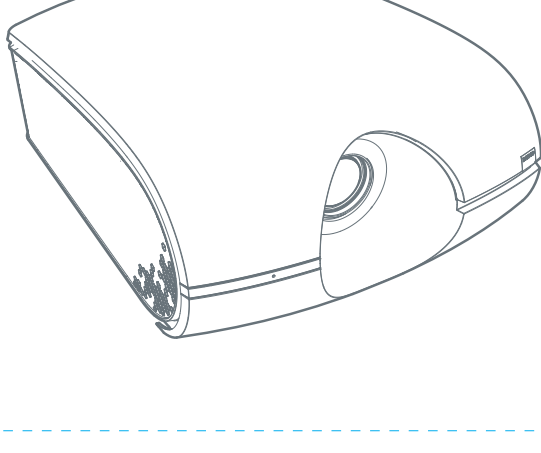


Quick Setup Guide

1 Packaging Contents

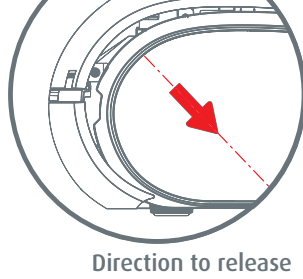
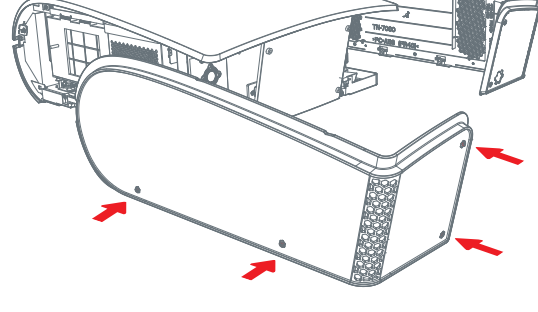


AAA (2x)



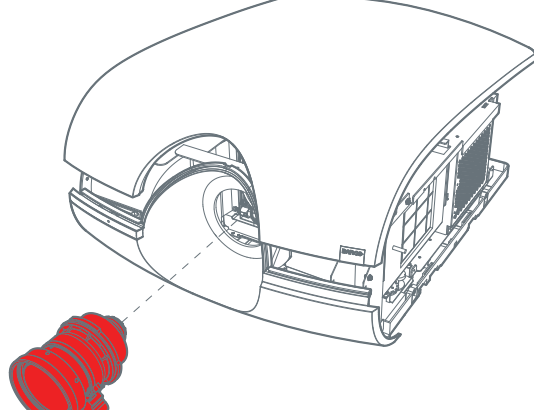
2 Side Cover Removal

Loosen the four captive screws on each of the two side panels.



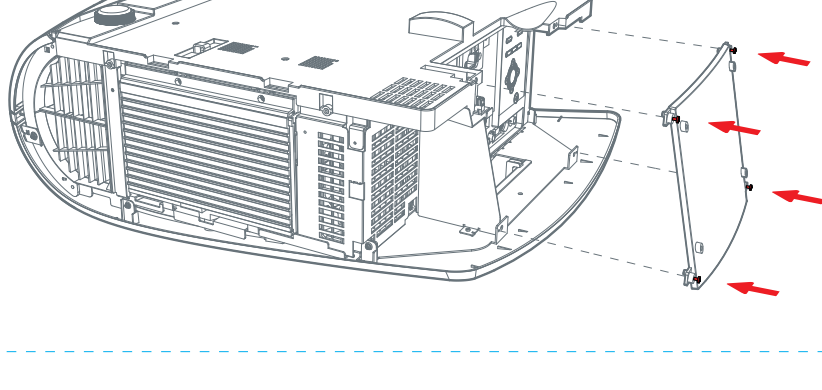
Direction to release the side covers from the unit.

3 Lens Assembly

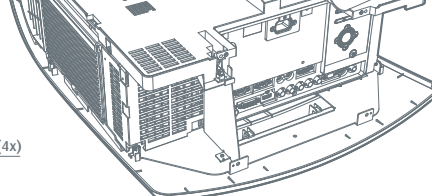
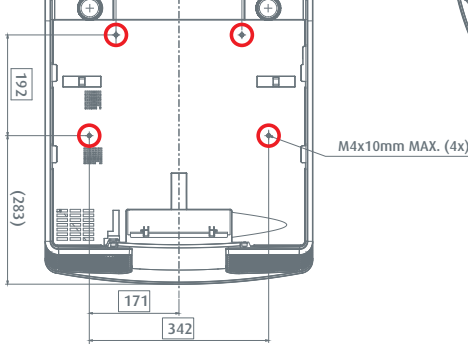


4 Rear Cover

Loosen the 4 screws at the back and remove the rear cover to gain access to the inputs panel.



5 Ceiling Mount*

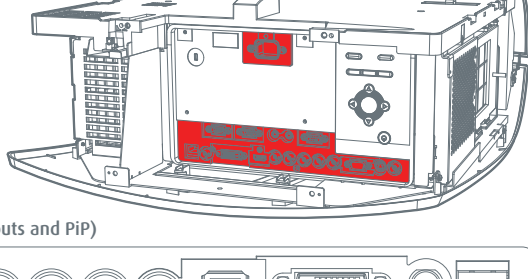


Unit Weight: 21 kg

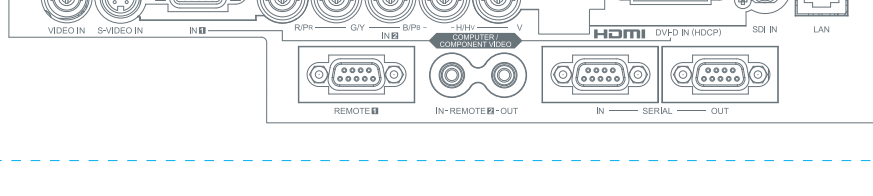
! Please check the manual of your supportsystem for compatibility

*(Ceiling mount system is not included)

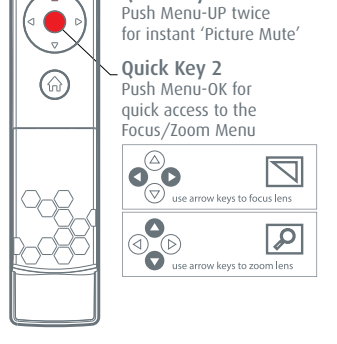
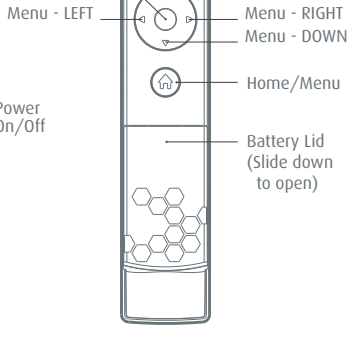
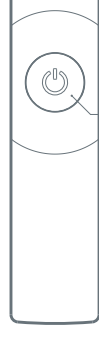
6 Input Cables



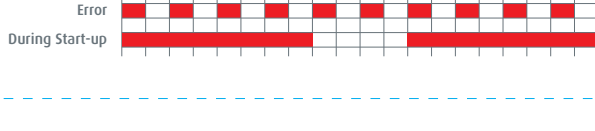
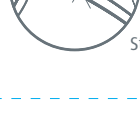
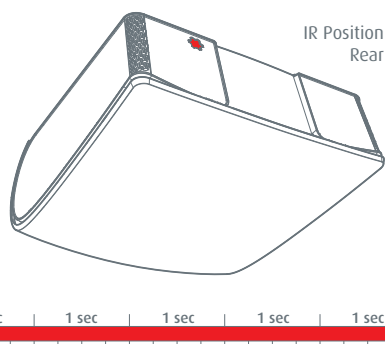
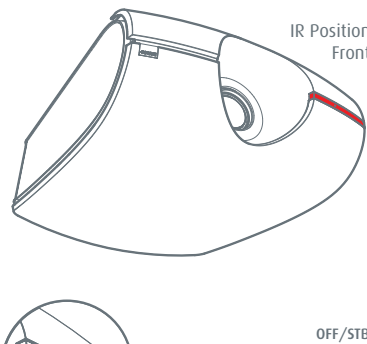
(See User Manual for detailed info on Inputs and PiP)



7 Remote Control



8 Starting Projector



9 OSD Lite Menu



INPUT _____ Toggle between input sources
BRIGHTNESS _____ adjust lamp brightness level
CONTRAST _____ adjust image contrast
COLOR _____ adjust image colour
ASPECT RATIO _____ modify image aspect ratio
LENS FOCUS _____ adjust lens focus
LENS ZOOM _____ adjust lens zoom
LENS SHIFT _____ adjust lens shift
KEYSTONE _____ adjust keystone
LANGUAGE _____ select language
INFO _____ information on lamp status
MODE _____ normal/eco/power
SERVICE _____ service information
ADVANCED _____ see user manual

10 Important Info

- To save lamp lifetime, first switch the projector to standby mode and wait two minutes, then switch off the main power.
- Ensure that the projector is operating with clean filters.
- Do not block the ventilation in -and outlets.
- Using the projector at a non recommended tilt angle will reduce the lifetime of the lamps or create unexpected behaviour of the unit.
- Laser light can cause severe damage to the DMD. This damage is not covered by warranty.



For more information and Maintenance Guidelines, check the Detailed User Manual on: <http://www.barco.com/en/products-solutions/projectors>