

Christie LX505

Classrooms
Houses of worship
Meeting rooms
Small auditoriums
Training rooms



An economical, easy-to-use solution

Looking for an affordable, easy to setup, high performance projector with features that ensure long life and low maintenance? Look no further than the Christie® LX505.

Create a perfectly aligned display with 3D Keystone™ technology, a new four-corner geometry correction tool. This easy-to-use feature allows you to quickly configure your image, ensuring a geometrically accurate display for every presentation.

The Christie LX505 presents exceptional image quality using advanced LCD technology that utilizes inorganic 3LCD panels. These inorganic panels have been designed for improved lifetime performance over conventional 3LCD panels. With a 1000:1 contrast ratio and 10-bit video processing, the Christie LX505 produces natural, smooth color tone to ensure picture stability and flawless video playback... a quality image every time.

Christie LX505 provides XGA resolution at 5000 ANSI lumens, an ideal brightness level for medium-sized venues. You can easily add the Christie LX505 to a network of projectors via the built-in network port. This unit offers complete pro AV compatibility by accepting signals from a variety of sources. The long-life AutoFilter cartridge system and up to 3000 hour lamp (economy mode) ensures low cost of ownership over the life of the product.

The Christie LX505 is equipped with motorized lens shift for zoom and focus, with a center mount lens design and easy one-button lens release capability. A suite of optional lenses are also available. This quiet, compact projector is offered in an off-white color to blend with a variety of surroundings.

The Christie LX505 offers the latest in LCD technology enhancements in an affordable, easy-to-use package.

CHRISTIE®

Christie LX505 (103-125108-01)		
Image	brightness	• 5000 ANSI lumens
	contrast	• 1000:1 (full on/off)
	uniformity	• 80% brightness uniformity (corner to corner)
Display technology	type	• 3-chip 0.8" Polysilicon TFT active matrix type LCD panel – Inorganic
	native resolution	• XGA (1024 x 768)
Lamp	type	• Single 275W NSHA
	typical life	• Normal mode: up to 2000 hrs • Eco mode: up to 3000 hrs
Input	signals	• UXGA, WXGA, SXGA+, SXGA, XGA, SVGA, VGA, MAC • HDTV formats (720p, 1035i, 1080i, 1080p)
	pixel clock	• 140 MHz (analog)/162 MHz (digital)
	scan rates	• Horizontal: 15-100kHz • Vertical: 48-100Hz
Inputs, control and networking	inputs	• Input 1: DVI-D x 1 (HDCP), D-Sub15 x 1 • Input 2: 5-BNC (R, G, B, H, V & Y, Pb/Cb, Pr/Cr & Composite) • Input 3: S-video – Mini DIN 4-pin • RCA x 3 (Video/Y, Pb/Cb, Pr/Cr) • Audio In – Mini jack x 2 (1, 2) (stereo) • RCA x 2 (R, L-mono) • Control port D-Sub 9 x 1 • R/C Jack – Mini jack x 1 (wired remote) • RJ45 LAN x 1
	outputs	• D-Sub15 (Monitor out) x 1 • Audio out – Mini jack x 1 (stereo)
Optical system	• Motorized zoom, focus and lens shift • Vertical and Horizontal lens shift ¹	
Lenses	fixed	• Short 0.8:1 (103-124108-XX)
	zoom	• Ships with standard lens – Standard 1.70-2.89:1 (103-126100-01-XX) • Short 1.25-1.70:1 (103-125109-XX) • Long 2.89-4.60:1 (103-127101-XX) • Long 4.60-7.36:1 (103-128102-XX)
	offsets	• Horizontal 50% ¹ • Vertical 10% ¹
Accessories	standard	• Quick setup manual • PIN code Label Registration card • UL cable card • Lens adaptor • Power cord-AC cord UL type (NEMA 6-20P plug type) • AC cord (European 2P plug type) • Computer cable (D-Sub 15) • Users Manual (CD-ROM) • Remote control • Lens mount cover • Lens anti-theft screw • USB Cable
	optional	• CCM-LX for enhanced network options (103-115108-XX) • AutoFilter cartridge (003-003084-XX) • Replacement lamp (003-120531-XX)
Enhanced feature sets	• 10-bit image processing • Top loading lamp • 1-button quick lens release • Digital keystone h/v and 3D Keystone technology • Easy menu navigation • Up to 13,000 hour AutoFilter • Inorganic 3LCD • 360 degree on axis rotation • Built-in – RJ45 • Expansion port for advanced networking module (CCM-LX) • Customized logo capture	
Power requirements	operating voltage	• 100-120 VAC ±10% • 200-240 VAC ±10%
	operating current	• In rush: 30A (AC100V); 60A (AC276V) • Current: 5.2A (AC100V); 2.5A (AC200V)
	power consumption	• 423W max
	dissipation	• 1375 BTU/hr max
Dimensions	size	• Body with lens (LxWxH): 17.12 x 19.27 x 6.50" (434.8 x 489.5 x 164.0mm)
	shipping size	• (LxWxH): 22.90 x 26.81 x 12.52" (581.0 x 681.0 x 318.0mm)
	weight	• 21.4lbs (9.7kg) with lens
	shipping weight	• 34.83lbs (15.8kg)
Noise	• Standard mode: 38dBA • Eco mode: 31dBA	
Operating environment	• Operating temperature: 41-104°F (5-40°C) • Storage temperature: 14-140°F (-10-60°C) • Humidity (non-condensing): 20-80% • Altitude: 0-885ft (0-2700m)	
Regulatory approvals	This product conforms to the following regulations related to product safety, environmental requirements and electromagnetic compatibility (EMC): • FCC Part 15, Subpart B Class B • CISPR22/EN55022 • CISPR24/EN55024 • UL 60950-1 first edition • IEC60950-1:2001 • 2002/95/EC RoHS	
Limited warranty	• Projector: three years parts and labor • Lamp: 500 hours or one year from invoice date (whichever comes first) • Contact an authorized Christie representative for full details of our limited warranty	

Performance specifications are typical and are subject to change

¹ Actual range depends on lens used

Corporate offices

Christie Digital Systems USA, Inc.
USA – Cypress
ph: 714 236 8610

Christie Digital Systems Canada Inc.
Canada – Kitchener
ph: 519 744 8005

Worldwide offices

Australia
ph: +61 (0) 7 3844 9514

Brazil
ph: +55 (11) 2548 4753

China (Beijing)
ph: +86 10 6561 0240

China (Shanghai)
ph: +86 21 6278 7708

Eastern Europe and
Russian Federation
ph: +36 (0) 1 47 48 100

France
ph: +33 (0) 1 41 21 44 04

Germany
ph: +49 2161 664540

India
ph: +91 9 8 1133 2760

Japan (Tokyo)
ph: 81 3 3599 7481

Korea (Seoul)
ph: +82 2 702 1601

Republic of South Africa
ph: +27 (0)11 510 0094

Singapore
ph: +65 6877 8737

Spain
ph: +34 91 633 9990

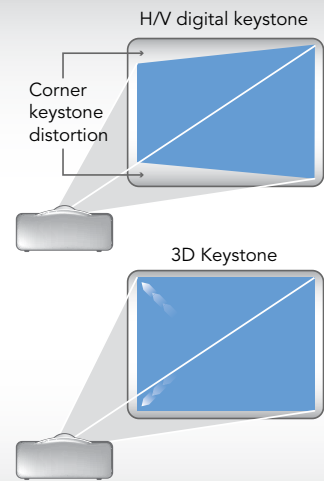
United Arab Emirates
ph: +971 4 3206688

United Kingdom
ph: +44 (0) 118 977 8000

Independent sales
consultant offices

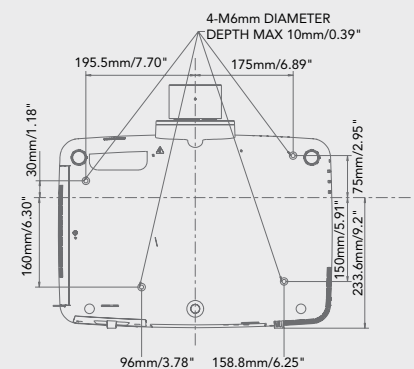
Italy
ph: +39 (0) 2 9902 1161

3D Keystone technology

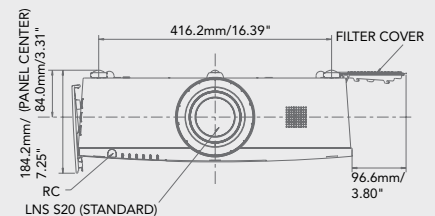


▲ Utilizing 3D Keystone technology, a new four-corner geometry correction tool, you can quickly and easily align your image even in the most challenging environments.

Bottom view



Front view



For the most current specification information, please visit www.christiedigital.com

Copyright 2013 Christie Digital Systems USA, Inc. All rights reserved. All brand names and product names are trademarks, registered trademarks or tradenames of their respective holders. Christie Digital Systems Canada Inc.'s management system is registered to ISO 9001 and ISO 14001. Performance specifications are typical. Due to constant research, specifications are subject to change without notice. Printed in Canada on recycled paper. 3487 Apr 13



Kitchener, Ontario

CHRISTIE