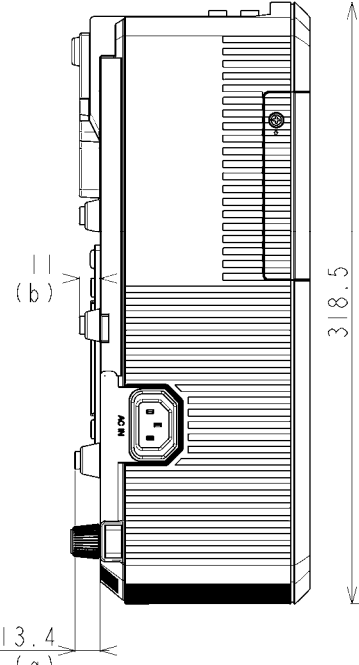
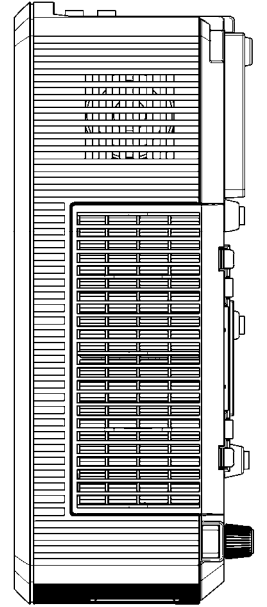
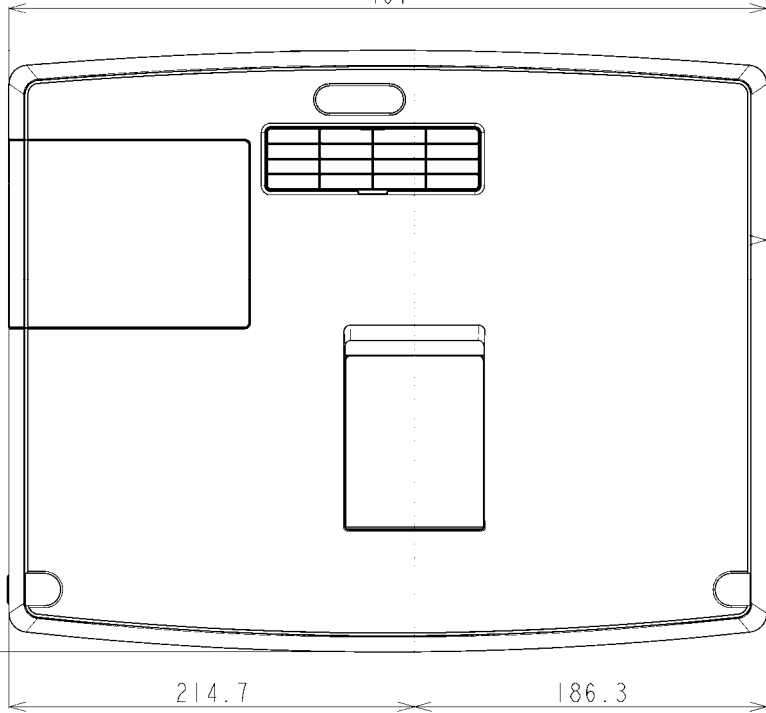
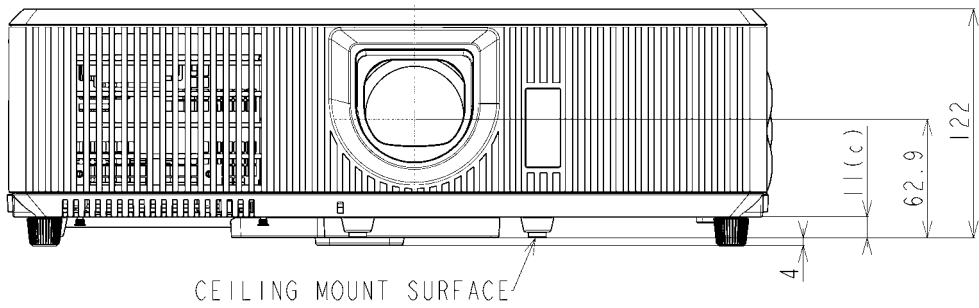


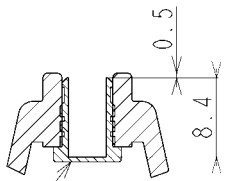
401



[Unit: mm]

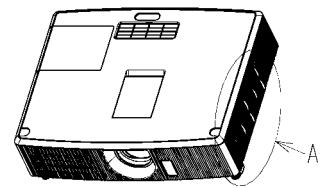
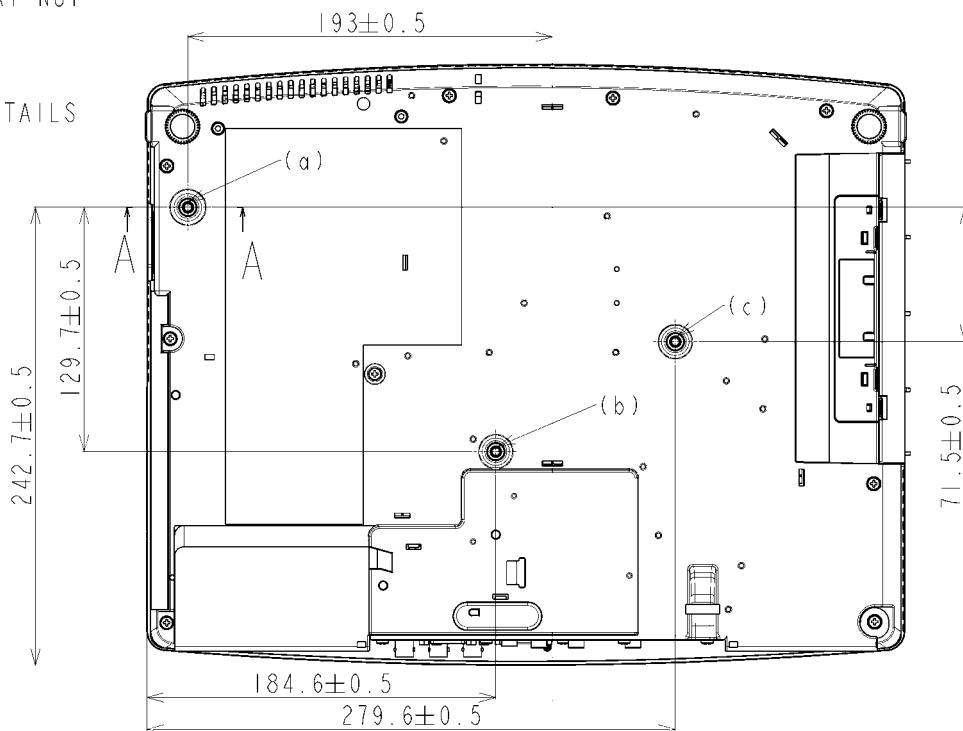


CEILING MOUNT SURFACE

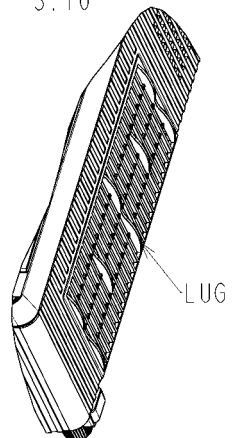


M4 INSERT NUT

A-A
5:1
3 THREADS DETAILS



3:10



A
1:1