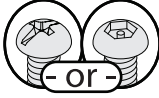




# FTP-096 / PDS-096 Projector Bracket Installation Instructions

## Lock-It™ Security Hardware Pack

Your Premier Mounts bracket comes with the option of using Lock-It™ Security Screws. Simply replace any of the Phillips head screws with the corresponding sized Lock-It™ Security screws and tighten using the appropriate Security Allen wrench.



When you see these graphics associated with a step, you have the option of using the standard mounting hardware or the Lock-It™ Security hardware.



3130 East Miraloma Avenue, Anaheim, CA 92806 USA

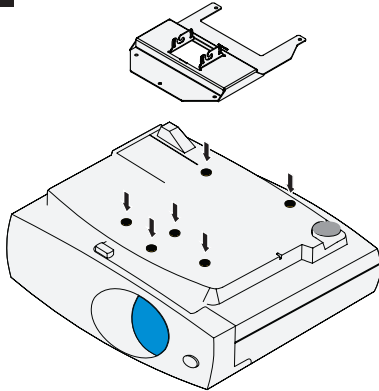
USA and Canada

Phone: 1.800.368.9700 Fax: 1.800.832.4888

techsupport@mounts.com

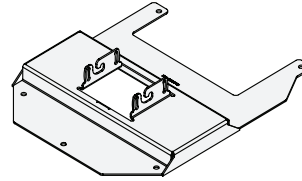
### Step 1

Projector shown is for example purposes only. Images not to scale.



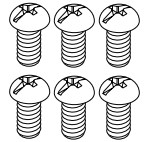
- 1 Invert the projector and place it on a soft, flat surface.
- 2 Remove any foot levelers that might prevent bracket installation.
- 3 Locate the mounting points on the projector.
- 4 Place the bracket on the projector.
- 5 Align the mount holes on the bracket with the mounting points on the projector.

### Parts List

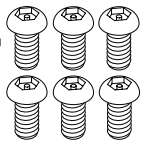


FTP-096 / PDS-096  
Bracket (Qty 1)

M8 x 10mm  
Pan Phillips Screw  
(Qty 6)



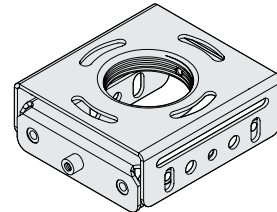
M8 x 10mm Lock-It™  
Security Screw  
(Qty 6)



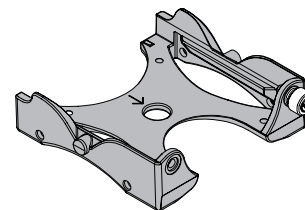
### Step 3

**?** Which base are you attaching to your projector bracket?

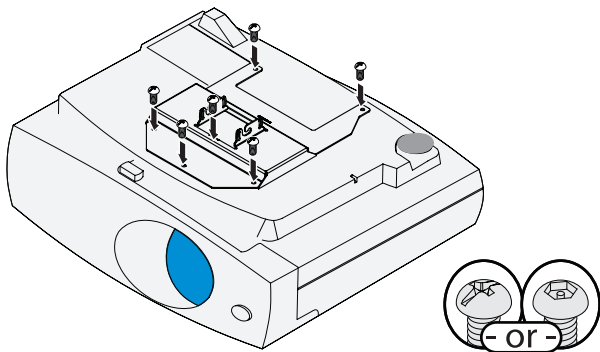
- PDS - Proceed to the "PDS Base Box Installation" section.




- FTP - Proceed to the "FTP Quick Set Base Installation" section.



### Step 2

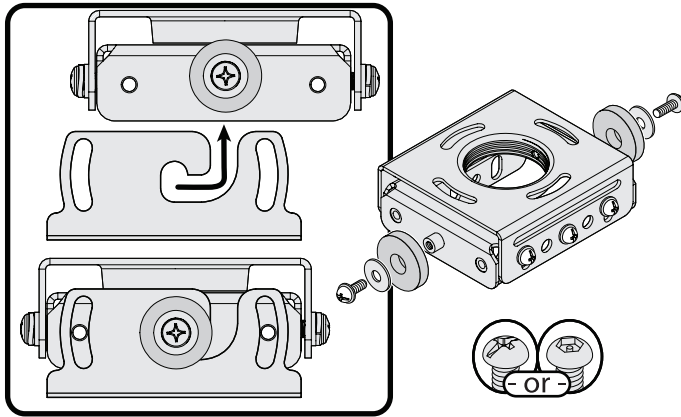


- 1 Insert one (1) M8 x 10mm pan Phillips screw or one (1) M8 x 10mm Lock-It™ security screw into each mounting point.
  - 2 Tighten the mounting hardware.
-  Do not overtighten the mounting screws.



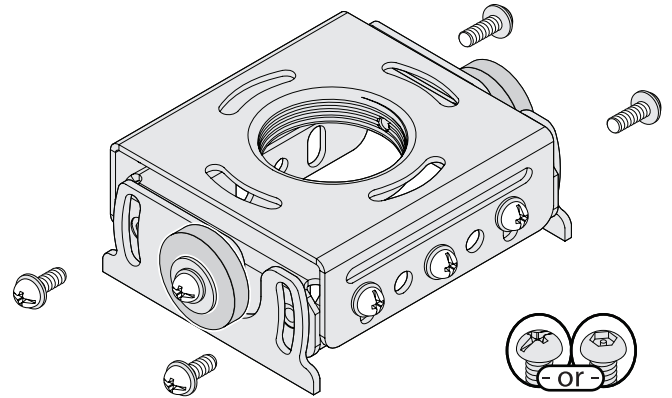
## PDS Base Box Installation

### Step 4



- 1 Place one (1) nylon washer and one (1) 1/4" flat washer over the hinge pin.
  - 2 Insert and tighten one (1) M6 x 12mm screw (supplied with the PDS Base Box).
  - 3 Repeat 1 and 2 for the opposite hinge pin.
- You can use either the standard hardware or Lock-It™ security hardware. Replace eight (8) M6 x 12mm screws and one (1) M6 x 8mm set screw (supplied with the PDS base box).
- Do not overtighten the M6 x 12mm screws or the M6 x 8mm set screw.
- 4 Install the PDS Base Box onto your ceiling or 1/2" NPT pipe as per the PDS installation instructions.
  - 5 Slide the projector / Projector Plate assembly onto the PDS Base Box.
  - 6 Hook the Projector Plate over the hinge pins, as shown.

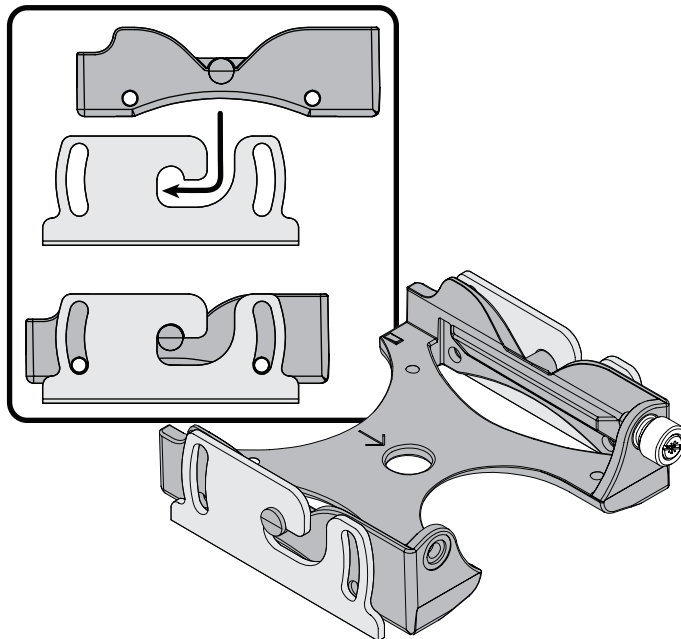
### Step 5



- 1 Insert the four (4) M6 x 12mm tilt adjustment screws, two (2) per side (supplied with the PDS Base Box).
- You can use either the standard hardware or Lock-It™ security hardware.
- 2 Tighten all screws.
  - 3 Do not overtighten the mounting screws.
  - 3 Follow the PDS Installation Instructions to complete the installation.

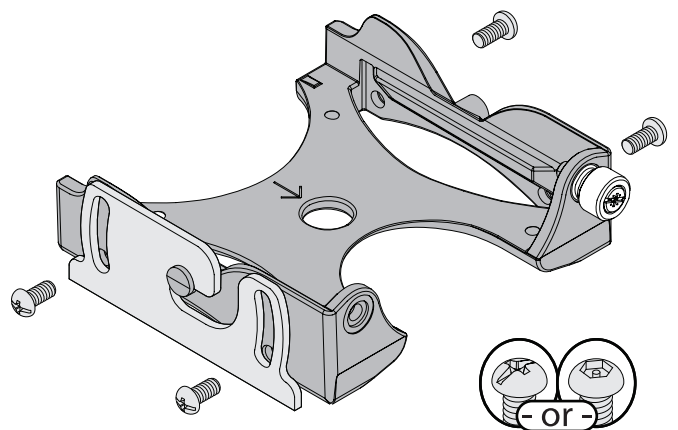
## FTP Quick Set Base Installation

### Step 4



- 1 Install the FTP Dome onto your ceiling or 1/2" NPT pipe according to the Fine-Tune Projector Mount installation instructions.
- 2 Slide the Quick Set Base onto the projector bracket and hook the Projector Plate over the Quick Set Base hinge pins, as shown.

### Step 5



- 1 Insert one (1) M6 x 12mm screw into each of the indicated locations (supplied with the Quick Set Base).
- You can use either the standard hardware or Lock-It™ security hardware.
- 2 Follow the FTP Installation Instructions to complete the installation.