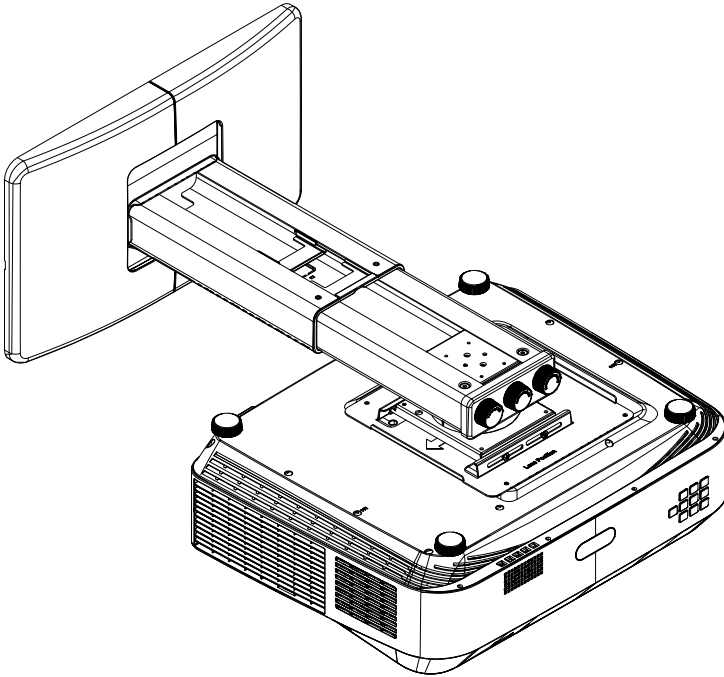


# Installation Manual

---

Model: WM03G6

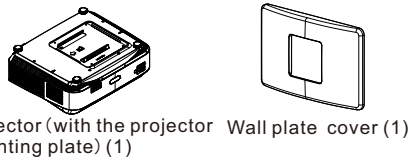
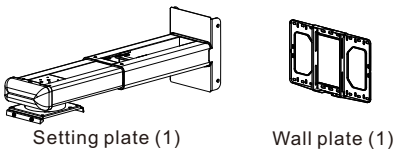


- 
- Be sure to read this manual thoroughly and to do the installation work safely. Keep this manual available for future reference.
  - Sufficient expertise is required for installing this projector wall mount.
  - Do not use the projector wall mount for purposes other than for which it is designed.

# Important Safety

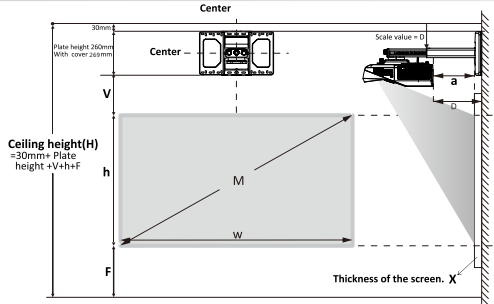
- ❶ Be sure to read this manual thoroughly to do the installation work.
  - ❷ Only qualified service personnel (two or more) should carry out installation or dismantling of the projector from the projector wall mount.
  - ⚠️ **Use with products heavier than the maximum weights (Weight Capacity : <15kg) indicated may result in instability causing possible injury.**
  - ❸ For safety reasons, check the strength of the wall before installation. If the wall is not strong enough, reinforce it sufficiently before installation.
  - ❹ Do not make alterations to the projector wall mount.
  - ❺ Do not install the projector wall mount on a wall subject to vibration or impact.
  - ❻ To avoid fire, do not install the projector with the projector wall mount in a humid or excessively dusty place.
  - ❼ Use the supplied accessories only. Use of accessories other than those supplied may result in damage to the projector wall mount.
  - ❽ When dismantling the projector from the projector wall mount, be sure to unplug the AC power cord and other connecting cables beforehand.
  - ❾ Do not hit or hang any heavy objects on the projector wall mount. If the projector wall mount is damaged, stop use and contact a qualified service person immediately.
  - ❿ Please install this apparatus only on the horizontal surface instead of the slanting one.
- \* **Manufacturer is not liable for any damages or injury caused by mishandling or improper installation.**

# Checking The Supplied Accessories

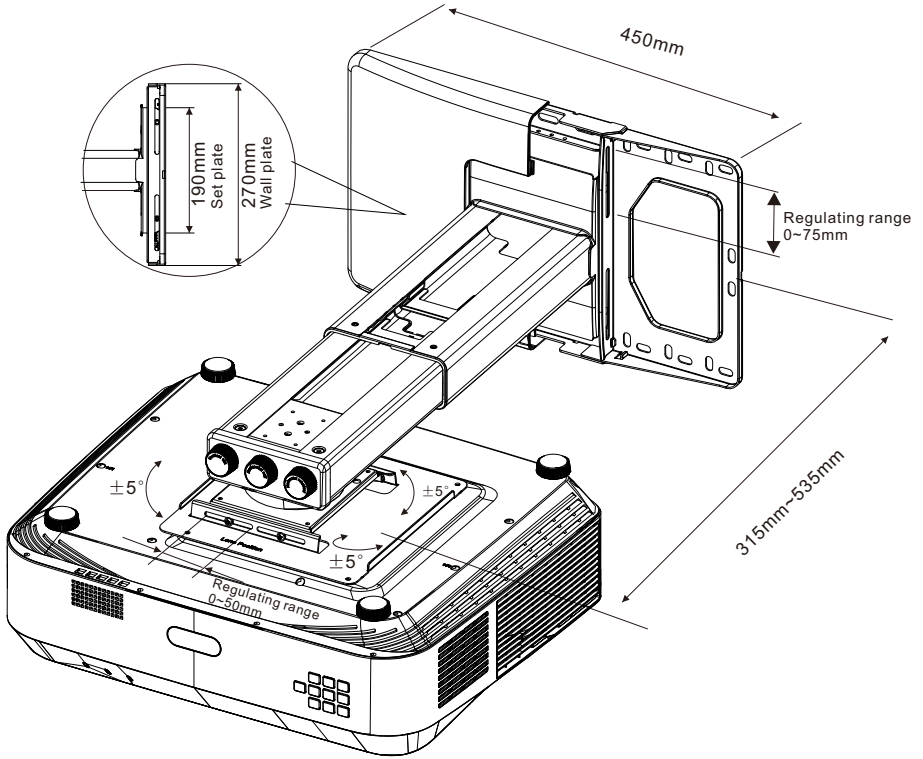


NO	diagrammatic presentation	designation	quantity
a		Screw (M6X55)	5
b		Φ10mm Anchor bolt	5
c		L5 Allen key	1
d		L3 Allen key	1
e		Screw (M4X10)	4
f		Screw (M6X15)	4
g		Regulating lead screw	1

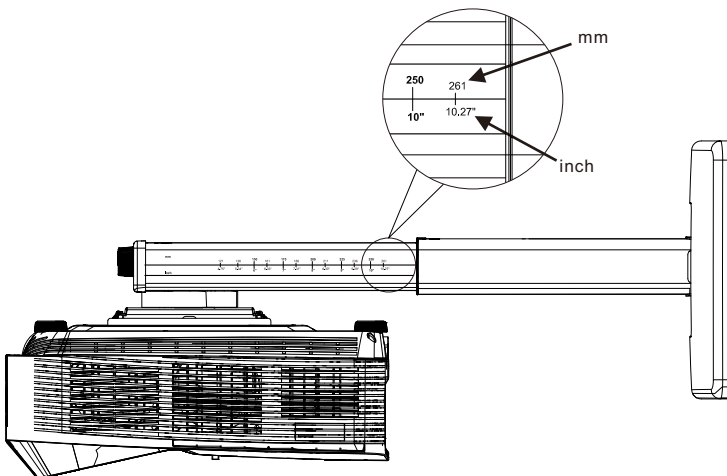
# Checking The Installation Position



# Checking The Installation Position



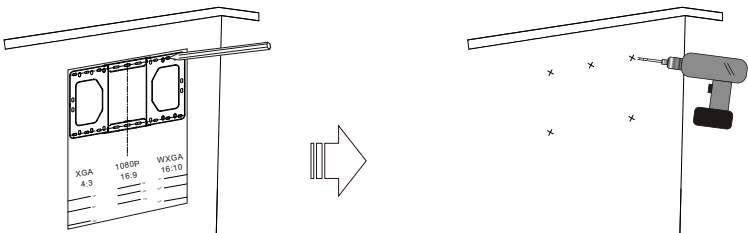
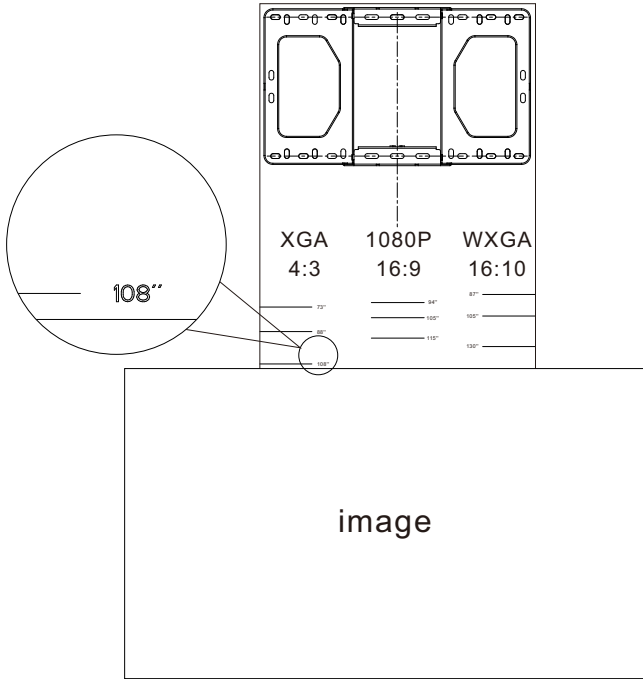
● According to the scale to determine the screen size . Scale parameters are for reference only.



# To Set The Projector Wall Mount On The Wall

● According to the scale to determine the installation height of the wall plate .  
Scale parameters are for reference only.

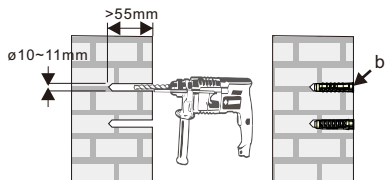
\* **Please refer the installation chart in projector UM and QSG for proper installation evaluation.**





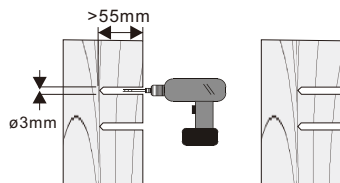
# To Set The Projector Wall Mount On The Wall

- The bracket is suitable for concrete wall mounting or wooden stud wall.
- Concrete wall mounting thickness must be a minimum 100mm. Anchor bolt and screw (M6 × 55) are needed to be used for installation.
- Dry-wall mounting thickness must be a minimum 70mm. Only screw (M6 × 55) is needed to be used for installation, and gypsum board thickness not greater than 3/8 inch. If the wall is not strong enough, reinforce it sufficiently before installation.
- Please contact manufacturer if you have any questions about mounting surface issue.



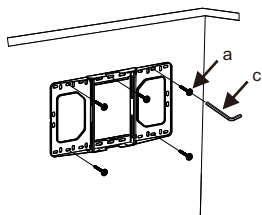
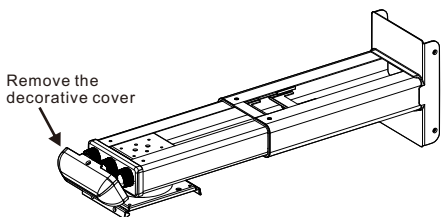
Concrete wall mounting

Use anchor bolt



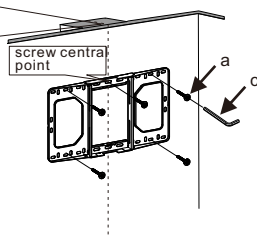
Dry-wall mounting

Not use anchor bolt

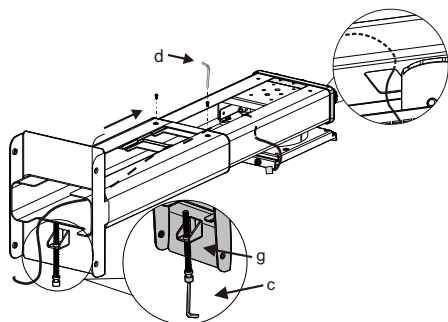


screw (M6 × 55) are needed to be used for installation in concrete wall mounting

When installation on the wood stud wall, the stud position of the mount wall surface shall be defined, the fixed screw central point shall be aligned with the central line of stud.

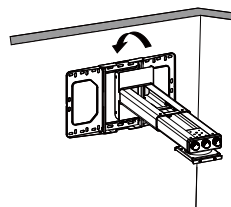


screw (M6 × 55) are needed to be used for installation in dry-wall mounting



a. Screw "g" to setting plate with L5 allen key in advance but do not tighten it.

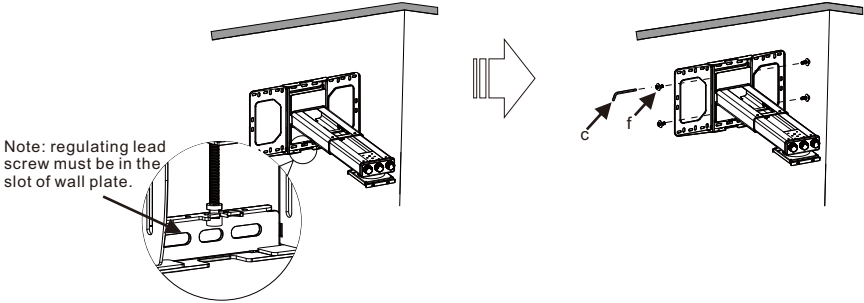
b. Loosen the screws with L3 allen key, pull out the setting plate and put the power cable and other cables through the setting plate.



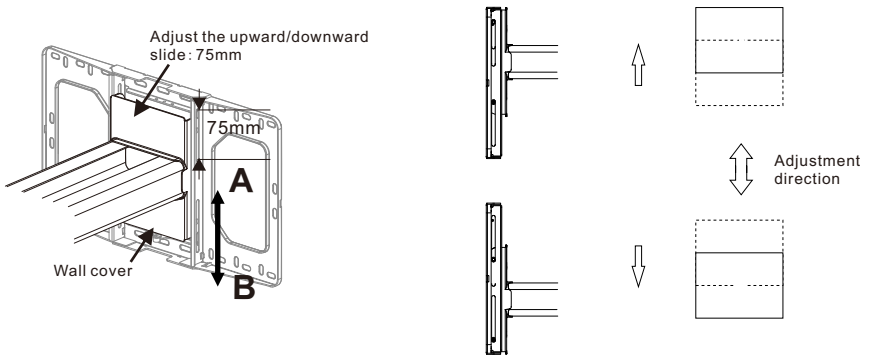
To Set The Projector Wall Mount On The Wall

## To Set The Projector Wall Mount On The Wall

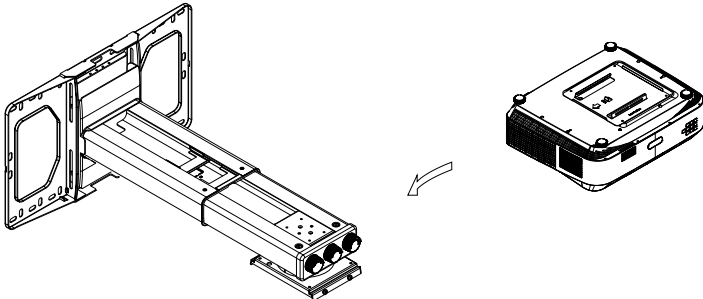
- Allow to adjust the projector upward/downward by regulating lead screw. You can adjust the projector upward/downward according to your need.
- Tighten the screw "f" to wall plate but do not tighten it. Fasten it after locating the regulating lead screw position.



- Move the raised Wall plate and adjust the upward/downward slide.

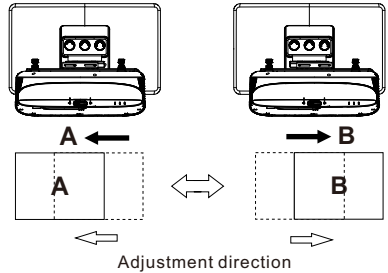
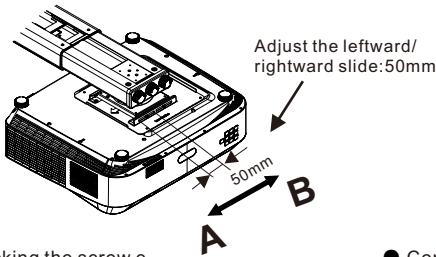


## To Install The Projector On The Projector Wall Mount

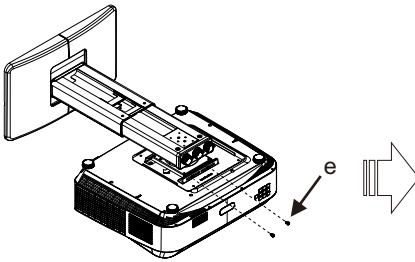


# To Install The Projector On The Projector Wall Mount

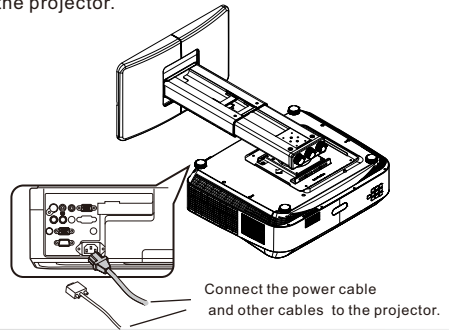
- Move the mounting plate and adjust the leftward/rightward slide.



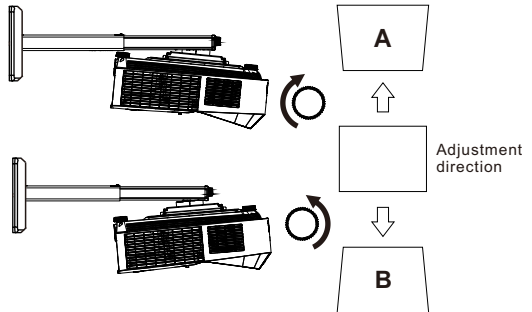
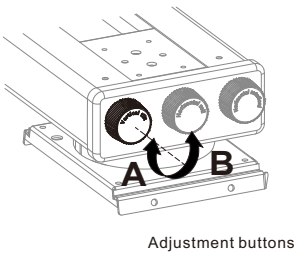
- Locking the screw e.



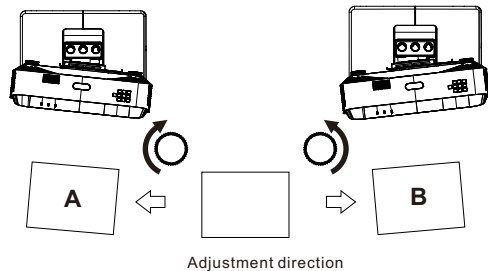
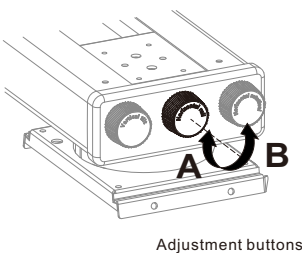
- Connect the power cable and other cables to the projector.



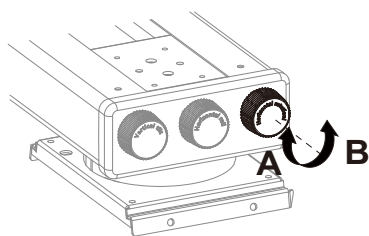
# To Adjust The Vertical Tilt



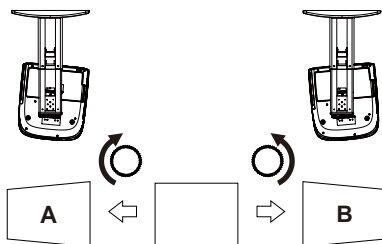
# To Adjust The Horizontal Roll



## To Adjust The Horizontal Rotation

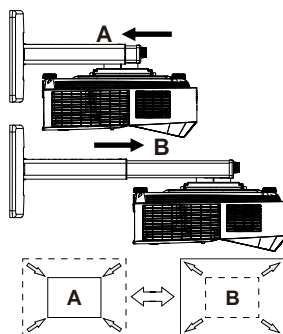
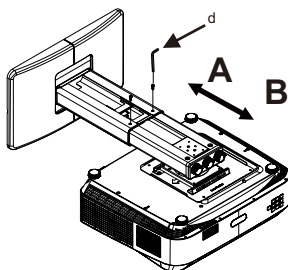


Adjustment buttons



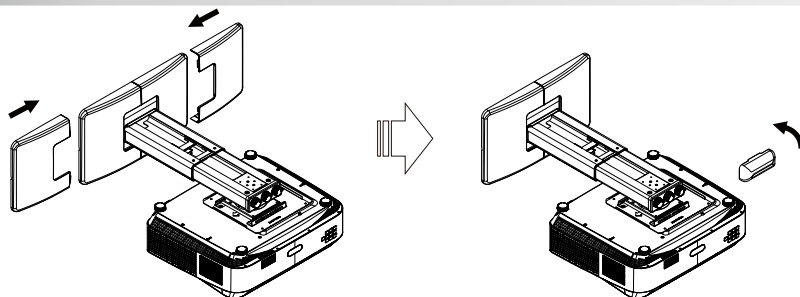
Adjustment direction

## To Adjust The Forward/Backward Slide



Adjustment direction

## To Put On The Decorative Cover



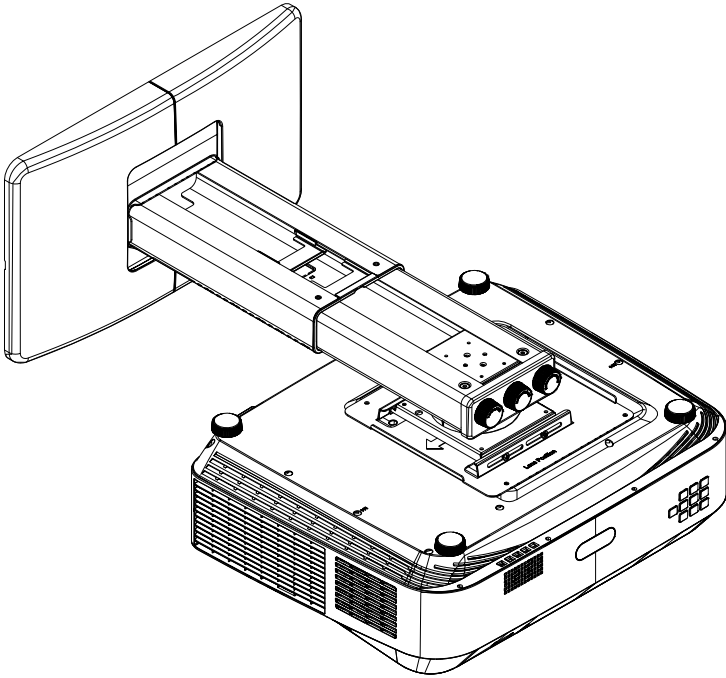
## Product Information :

Net weight: 4.5kg	Rated capacity: 15kg
Adjustable angle: Longitudinal inclination、Level angle、Yaw angle $\pm 5^\circ$ (3 directions)	
Adjustable range: From the installation plate center horizontal distance 315mm ~ 535mm	
Adjustable range for upward/downward slide : 75mm	
Adjustable range for leftward/rightward slide: 50mm	

# 安 装 手 册

---

型号: WM03G6

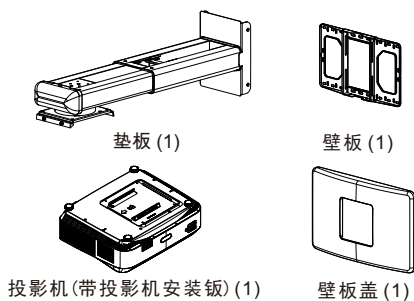


- 
- 请确保通读本手册并安全执行安装工作。保留本手册，以供日后参考。
  - 安装本投影机壁挂架需要具备充足的专业技能。
  - 不得将投影机壁挂架用于设计以外的其他用途。

## 安全须知

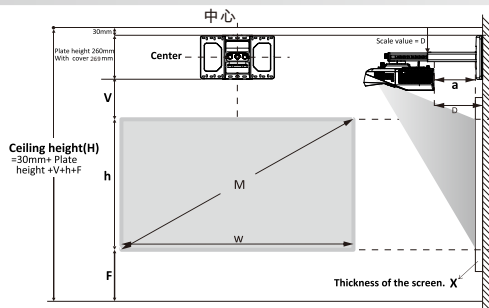
- ❶ 执行安装工作之前请确保通读本手册。
  - ❷ 只有合格的维修人员（两个或两个以上）才能安装投影机或从投影机壁挂架上拆卸投影机。
  - ⚠️ 与大于指定最大重量（载重能力： $< 15\text{kg}$ ）的产品一起使用可能导致设备不稳，从而可能造成人身伤害。
  - ❸ 安全起见，安装之前必须检查墙壁强度。如果墙壁强度不足，安装之前必须充分加强。
  - ❹ 不得擅自改动投影机壁挂架。
  - ❺ 不得将投影机壁挂架安装在易受振动或冲击的墙壁上。
  - ❻ 为了避免火灾，不得将投影机和投影机壁挂架安装在潮湿或布满粉尘的地方。
  - ❼ 只能使用提供的附件。使用其他附件可能损坏投影机壁挂架。
  - ❽ 从投影机壁挂架上拆卸投影机时，确保事先拔掉交流电源线和和其他连接电缆。
  - ❾ 不得碰撞或在投影机壁挂架上悬挂任何重物。如果投影机壁挂架已经损坏，必须立即停止使用并联系合格的维修人员。
  - ❿ 仅可在水平表面上安装本仪器，不得在倾斜表面上安装。
- \* 对于因错误操作或安装不当造成的任何损坏或伤害，制造商概不负责。

## 检查供应的附件

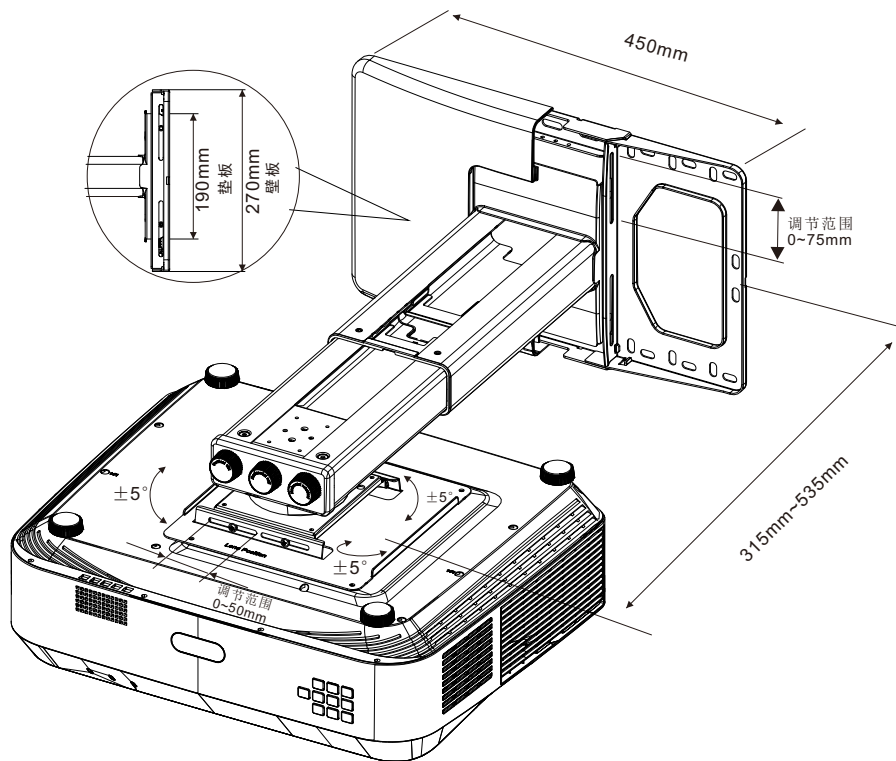


编号	图示	名称	数量
a		螺丝 (M6X55)	5
b		$\Phi 10\text{mm}$ 锚栓	5
c		L5内六角扳手	1
d		L3内六角扳手	1
e		螺丝 (M4X10)	4
f		螺丝 (M6X15)	4
g		调节螺丝	1

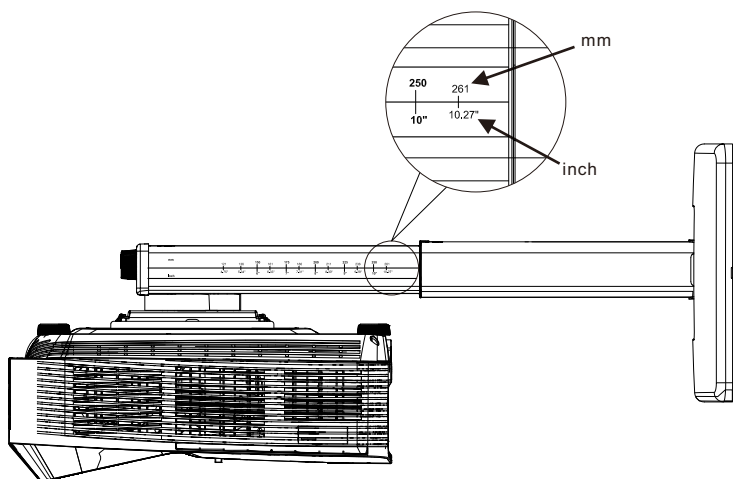
## 检查安装位置



## 检查安装位置

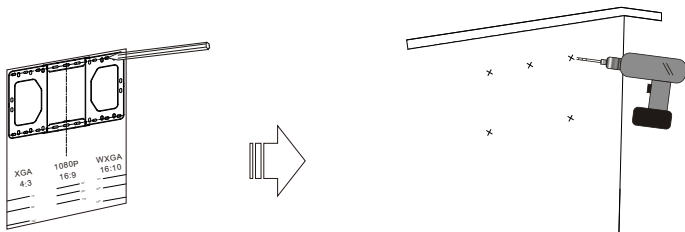
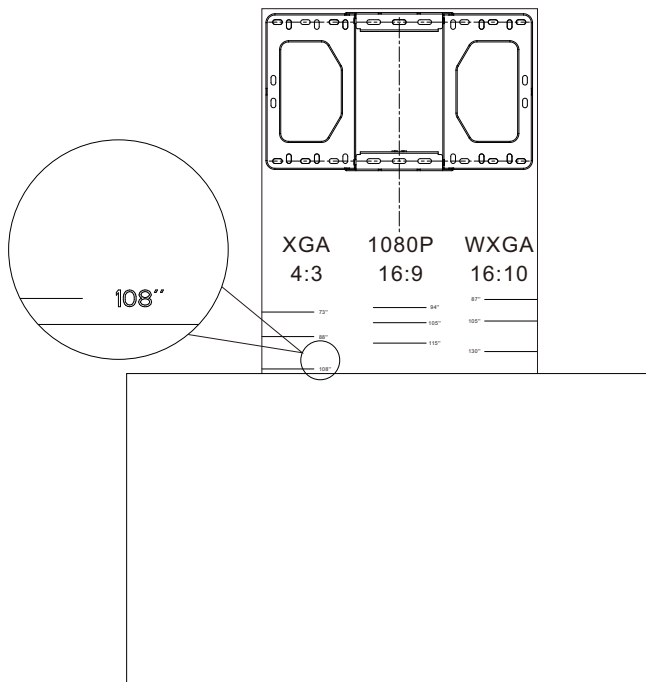


- 根据刻度确定屏幕尺寸。尺度参数仅供参考。



## 将投影机壁挂架固定到墙上

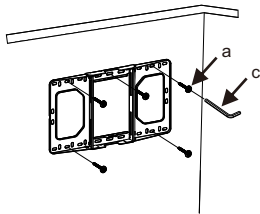
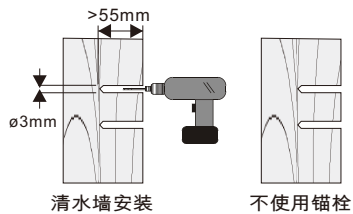
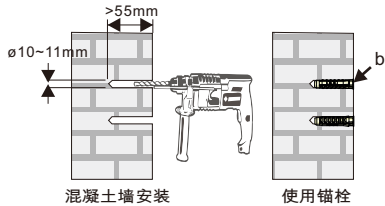
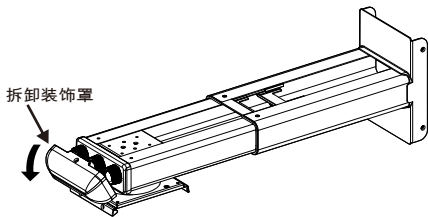
- 按照比例尺确定壁板的安装高度。尺度参数仅供参考。
- \* 请参考投影机UM和QSG的安装图，以进行正确的安装评估。



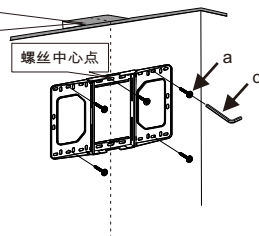


# 将投影机壁挂架固定到墙上

- 支架适用于混凝土墙壁安装或木质立柱墙。
- 混凝土墙安装厚度必须至少100mm。安装需要使用锚栓和螺丝(M6×55)。
- 清水墙安装厚度必须至少70mm。安装时只需使用螺丝(M6×55)以及厚度不超过3/8英寸的石膏板。如果墙壁强度不足，安装之前必须充分加强。
- 如果对安装表面存在任何疑虑，请联系制造商。

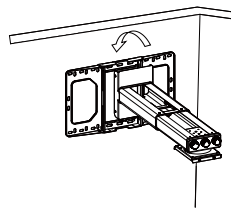
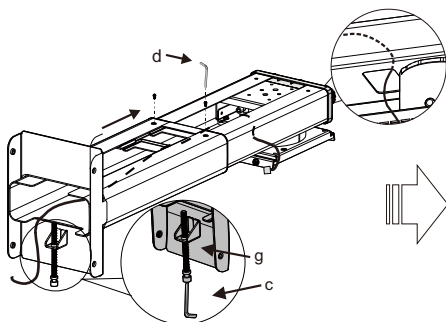


安装在木质立柱墙上时，应定义安装墙壁表面的立柱位置，固定螺丝中心点应与立柱中心线对齐。



安装在混凝土墙壁中时需要使用螺丝(M6×55)

安装在混凝土墙壁中时需要使用螺丝(M6×55)



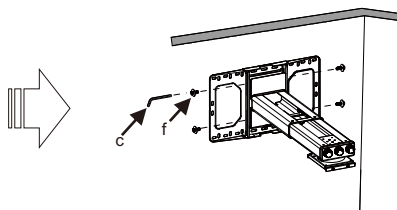
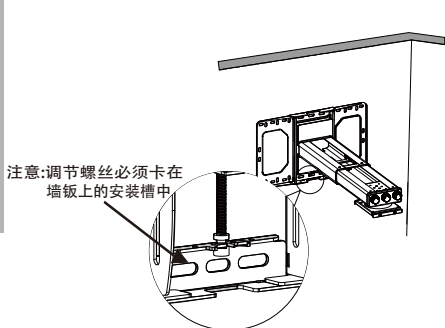
- 用L5扳手预锁螺丝g；
- 用L3扳手松开两个螺丝，拉出垫板，并将电源电缆和其他电缆穿过垫板。

将投影机壁挂架固定到墙上

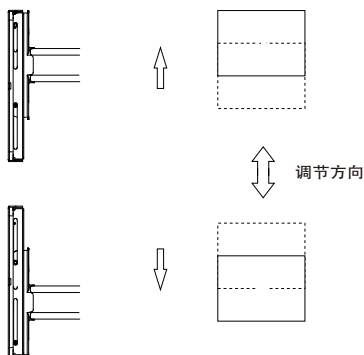
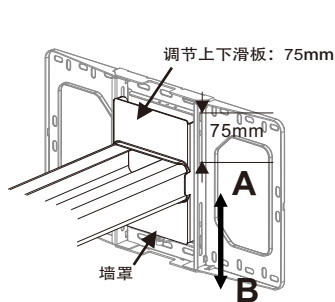
## 将投影机壁挂架固定到墙上

- 调节螺丝可调节投影机上下位置，根据实际安装需要调节其上下位置。

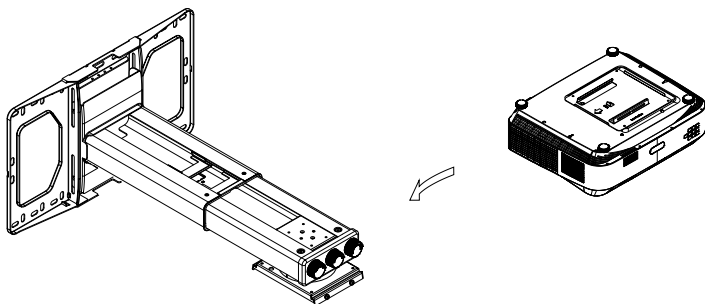
- 预锁螺丝f，待确认好垫板上下位置后，锁紧螺丝f。



- 移动突起的壁板并调节上下滑板。

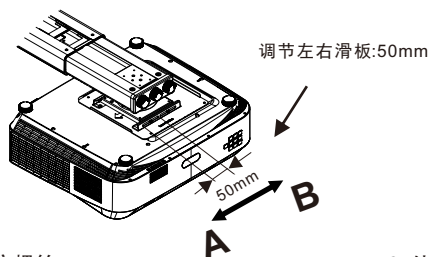


## 将投影机安装到投影机壁挂架上

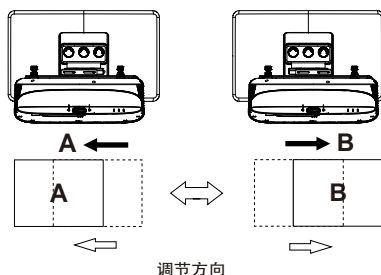
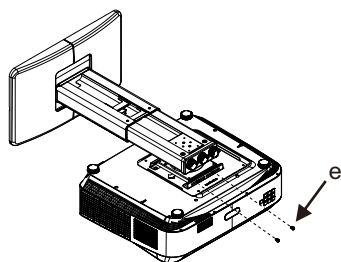


## 将投影机安装到投影机壁挂架上

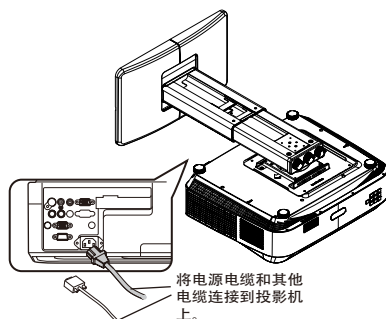
- 移动安装板并调节左右滑板。



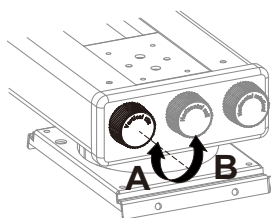
- 固定螺丝e。



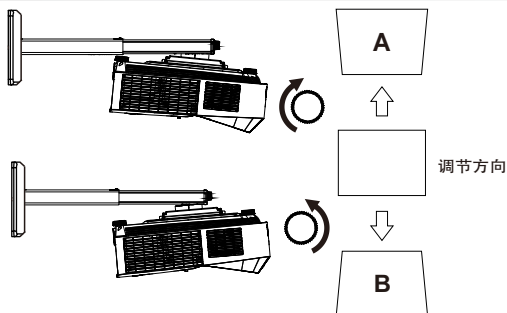
- 使电源电缆和其他电缆穿过孔顶部的垫板。



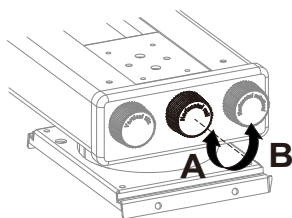
## 调节垂直倾斜



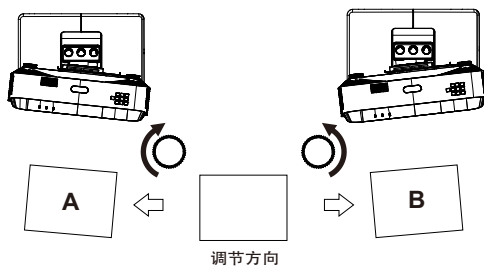
调节按钮



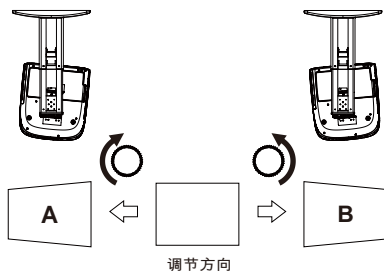
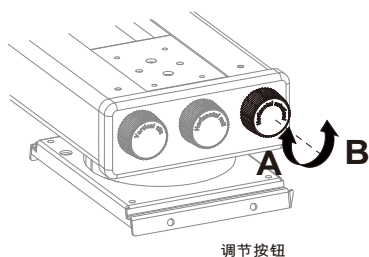
## 调节水平轧辊



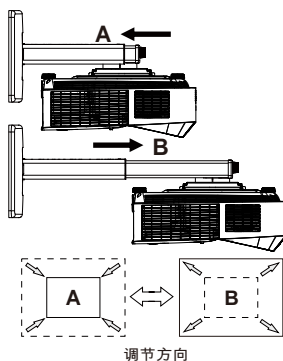
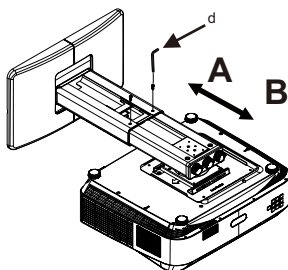
调节按钮



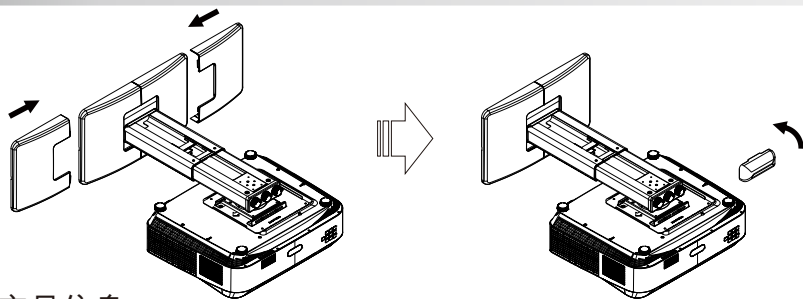
## 调节水平旋转



## 调节前后滑板



## 盖上装饰罩



## 产品信息：

净重：4.5kg	额定容量：15kg
可调角：纵向倾斜，水平角度，偏转角 $\pm 5^\circ$ （3个方向）	
可调范围：与安装板中心的水平距离为 315mm ~ 535mm	
上下滑板的可调范围：75mm	
左右滑板的可调范围：50mm	