

# Fast-Fold® NXT Screens

Portable Folding Screens



SPECIFICATION DATA

**SUGGESTED SPECIFICATIONS:** \_\_\_\_\_ projection screen(s), \_\_\_\_\_(H) x \_\_\_\_\_(W), portable type. To have flexible screen surface, flame retardant and mildew resistant. Screen surface will have reinforced black binding on all four sides and will attach to side of frame with clips. Frame to consist of lightweight, folding rectangular hard alloy aluminum tubing, clear etched and anodized to be brushed and burr free. Frame sections are joined

with internal sliding hinge to allow for easy folding. Corners are slip jointed with a push button latch. Legs support the screen and allow height adjustments up or down in 3/8" (10 mm) increments. Includes wheeled polyethylene carrying case. Polyethylene carrying cases meet or exceed Air Transport Association (ATA) Specification 300 standards.

## HDTV (16:9) Format Dimensions

Viewing Area (H x W)		Nominal Diagonal		Frame Type*	Overall Size (H x W)		Approx. Ship. Wt.	
In.	Cm	In.	Cm		In.	Cm	Lbs.	Kg
52" x 92"	132 x 234	106"	269	S	58" x 98"	147 x 249	86	39
58" x 104"	147 x 264	119"	302	S	64" x 110"	163 x 279	88	39.9
65" x 116"	165 x 295	133"	338	S	71" x 122"	180 x 310	93	42.2
79" x 140"	201 x 356	159"	404	S	85" x 146"	216 x 371	99	44.9
90" x 160"	229 x 406	184"	467	S	96" x 166"	244 x 422	112	50.8
90" x 160"	229 x 406	184"	467	L	99" x 169"	251 x 429	187	84.8
108" x 192"	274 x 488	220"	559	S	114" x 198"	290 x 503	118	53.5
108" x 192"	274 x 488	220"	559	L	117" x 201"	297 x 511	186	84.4
120" x 216"	305 x 549	245"	622	L	129" x 225"	328 x 572	206	93.4
126" x 224"	320 x 569	257"	653	L	135" x 233"	343 x 592	215	97.5
135" x 240"	343 x 610	275"	699	L	144" x 249"	366 x 632	222	100.7
144" x 256"	366 x 650	294"	747	L	153" x 265"	389 x 673	262	118.8
162" x 288"	411 x 732	340"	864	L	171" x 297"	434 x 754	275	124.7
180" x 318"	457 x 808	367"	932	L	189" x 327"	480 x 831	358	162.4

## Wide (16:10) Format Dimensions

Viewing Area (H x W)		Nominal Diagonal		Frame Type*	Overall Size (H x W)		Approx. Ship. Wt.	
In.	Cm	In.	Cm		In.	Cm	Lbs.	Kg
58" x 92"	147 x 234	109"	277	S	64" x 98"	163 x 249	85	38.6
65" x 104"	165 x 264	123"	312	S	71" x 110"	180 x 279	88	39.9
73" x 116"	185 x 295	137"	348	S	79" x 122"	201 x 310	97	44
88" x 140"	224 x 356	165"	419	S	94" x 146"	239 x 371	101	45.8
100" x 160"	254 x 406	189"	480	S	106" x 166"	269 x 422	112	50.8
100" x 160"	254 x 406	189"	480	L	109" x 169"	277 x 429	189	85.7
120" x 192"	305 x 488	226"	574	S	126" x 198"	320 x 503	118	53.5
120" x 192"	305 x 488	226"	574	L	129" x 201"	328 x 511	188	85.3
135" x 216"	381 x 610	255"	648	L	144" x 225"	366 x 572	209	94.8
150" x 240"	381 x 610	283"	719	L	159" x 249"	404 x 632	221	100.2
160" x 256"	406 x 650	302"	767	L	169" x 265"	429 x 673	227	103
180" x 288"	457 x 732	340"	864	L	189" x 297"	480 x 754	279	126.6
198" x 318"	503 x 808	375"	953	L	207" x 327"	526 x 831	361	163.7

### \*Frame Type

S	1¾" Frame, 3" Borders
L	3½" Frame, 4½" Borders

**PRODUCT NOTES**

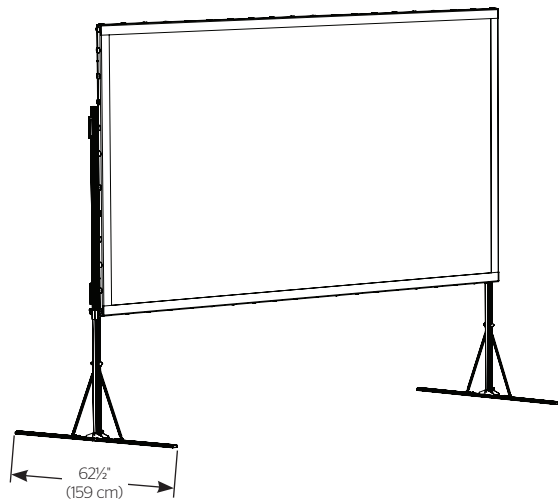
- All surfaces up to 16' high will be seamless.
- Binding is welded to surface.
- HD Rental, Da-Tex and Dual Vision surfaces will include a standard black border. Border size is 3" for standard sizes and 4½" for large sizes.
- HD Rental Wrap Around will have a borderless viewing area that matches the overall frame size, white binding that does not extend into the viewable area and white clips.
- Height can be adjusted after legs are attached.

**WHEN ORDERING, MARK APPROPRIATE SELECTIONS:**

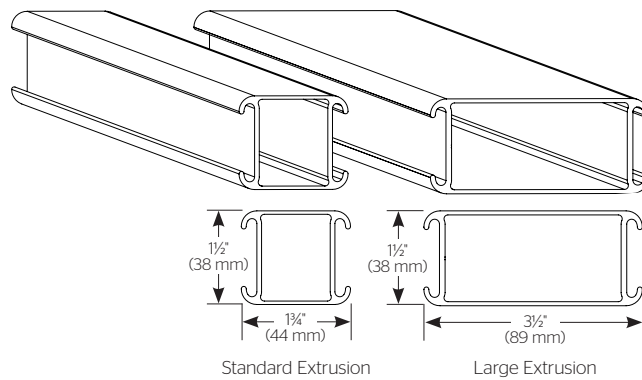
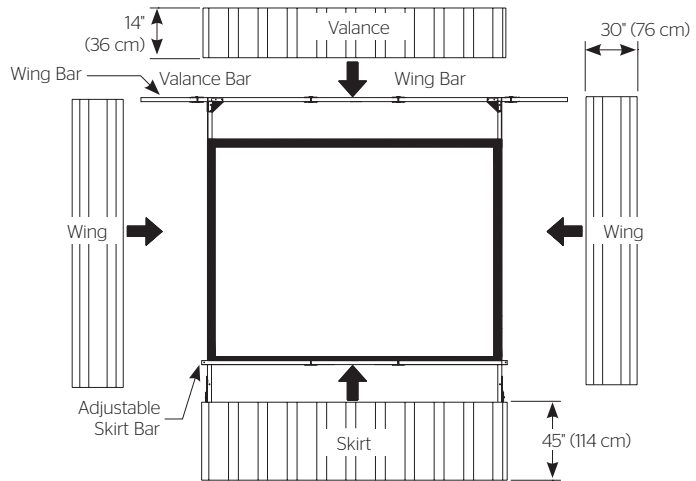
1. Select size from charts on the other side.
2. Select viewing surface (All Da-Lite surfaces are GREENGUARD GOLD Certified):
  - HD Rental
  - HD Rental Wrap Around (Viewable Area Will Equal Overall Size)
  - Da-Tex® (rear)
  - Dual Vision
3. Optional accessories:
 

<ul style="list-style-type: none"> <li><input type="checkbox"/> 3 Bracket Fly Kit (For sizes under 120" wide viewable)</li> <li><input type="checkbox"/> 4 Bracket Fly Kit (For sizes 120" to 160" wide viewable)</li> <li><input type="checkbox"/> 5 Bracket Fly Kit (For sizes over 160" wide viewable)</li> <li><input type="checkbox"/> Ultra Velour Drapery Presentation Kit                             <ul style="list-style-type: none"> <li><input type="checkbox"/> Black</li> <li><input type="checkbox"/> Blue</li> <li><input type="checkbox"/> Gray</li> </ul> </li> </ul>	<ul style="list-style-type: none"> <li><input type="checkbox"/> Replacement Surface Only.                             <ul style="list-style-type: none"> <li><input type="checkbox"/> HD Rental</li> <li><input type="checkbox"/> HD Rental Wrap Around</li> <li><input type="checkbox"/> Da-Tex® (rear)</li> <li><input type="checkbox"/> Dual Vision</li> </ul> </li> </ul>
--	---

**PRODUCT VIEWS**



**Optional Drapery Kit With Skirt Bar**



**A BRAND OF MILESTONE AV TECHNOLOGIES**

www.milestone.com  
 P 800.622.3737 / 574.2678101  
 F 877.325.4832 / 574.2677804  
 E info@da-lite.com

In British Columbia, Milestone AV Technologies ULC carries on business as MAVT Milestone AV Technologies ULC.

©2017 Milestone AV Technologies. DL-0711 0217.  
 Da-Lite is a registered trademarks of Milestone AV Technologies. All other brand names or marks are used for identification purposes and are trademarks of their respective owners. All patents are protected under existing designations. Other patents pending.

Project Name: \_\_\_\_\_

Architect: \_\_\_\_\_

Contractor: \_\_\_\_\_ Phone: \_\_\_\_\_

Reseller: \_\_\_\_\_ Phone: \_\_\_\_\_