

# LCD Lift

Motorized Ceiling-Recessed  
LCD Projector Lift

by **DRAPER**

## Planning Sheet

Please provide information for each numbered item:

① **Select Model (see Fig. 2, page 2, for dimensions):**

- LCD Lift A
- LCD Lift B

② **Select Voltage:**

- 110-120v
- 220-230v

③ **Select Closure (see drawings at right):**

- "Bomb Bay" Doors
- Ceiling Closure Panel

④ **Select Controls:**

**Please Note: This Draper motorized screen comes with one 110V-120V AC 3-position wall switch (silver wall plate with black rocker).**

- \_\_\_ Total number of 110-120V AC switches ( switches operate independently)
- Substitute white switch(es) for silver wall plate with black rocker
- Serial or Network Communication (Please see and complete a Serial and Network Screen and Lift Control Planning Sheet).
- Optional Low Voltage Control Module (LVC-III)
  - 24 Volt 3-Button Switch    How many switches? \_\_\_\_\_
  - Radio Frequency Remote Control (only with 24v)
  - Infrared Remote Control (only with 24v)
- Optional Key Operated Switch
  - Power Supply Key Switch (On-off)
  - 3-Position Key Control
  - 3-Position Switch with Hinged Key-Locking Coverplate
- Optional Video Interface Control
  - VIC-115 (not compatible with LVC-III)     Override Switch
  - VIC-12 (not compatible with LVC-III)     Override Switch
  - VIC-6 (not compatible with LVC-III)     Override Switch

⑤ **Select Optional Mounting Equipment:**

- Aero Low Profile Mount with Universal Bracket (please provide projector information)  
Projector (supplied by others)  
Manufacturer \_\_\_\_\_ Make/Model \_\_\_\_\_ Projector Size H x W x L: \_\_\_\_\_

⑥ **Select Optional Equipment:**

- Optional ceiling access door to allow access above finished ceilings.
  - Ceiling access door, metal finish
  - Ceiling access door, accepts ceiling tile

Ⓐ **Projector (supplied by others)**

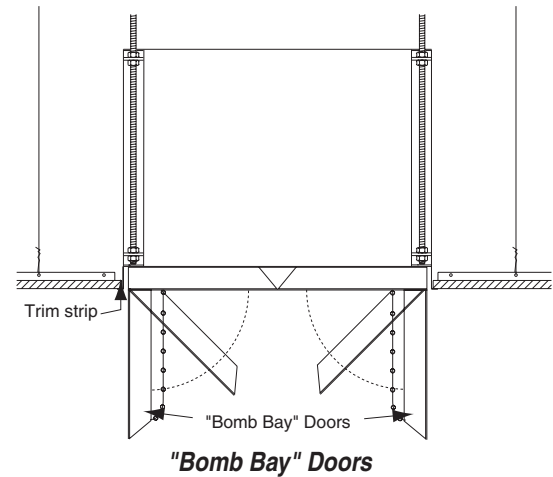
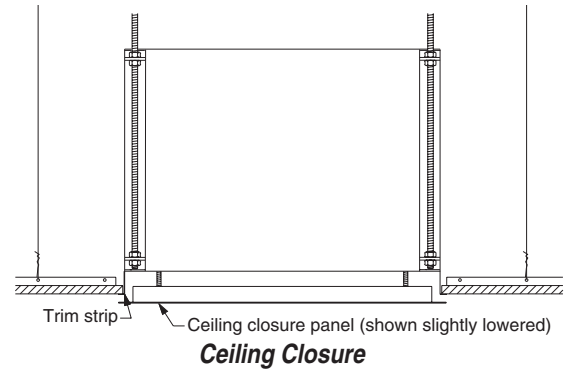
Manufacturer \_\_\_\_\_ Make/Model \_\_\_\_\_

Ⓑ **What type of connectors do you need on Inputs (to Projector)?**

BNC            How Many? \_\_\_\_\_  
 15 Pin HD    How Many? \_\_\_\_\_  
 RCA           How Many? \_\_\_\_\_  
 S-Video      How Many? \_\_\_\_\_  
 RS232 (DB9) How Many? \_\_\_\_\_

Ⓒ **What type of connectors do you need on Outputs (to Lift)?**

BNC            How Many? \_\_\_\_\_  
 15 Pin HD    How Many? \_\_\_\_\_  
 RCA           How Many? \_\_\_\_\_  
 S-Video      How Many? \_\_\_\_\_  
 RS232 (DB9) How Many? \_\_\_\_\_



**Please Note:**

**For Dimensions and Details, see Back Page**

PROJECT: \_\_\_\_\_  
 \_\_\_\_\_  
 ARCHITECT: \_\_\_\_\_  
 CONTRACTOR: \_\_\_\_\_  
 SUPPLIER: \_\_\_\_\_  
 DATE: \_\_\_\_\_ REVISED: \_\_\_\_\_

**DRAPER**

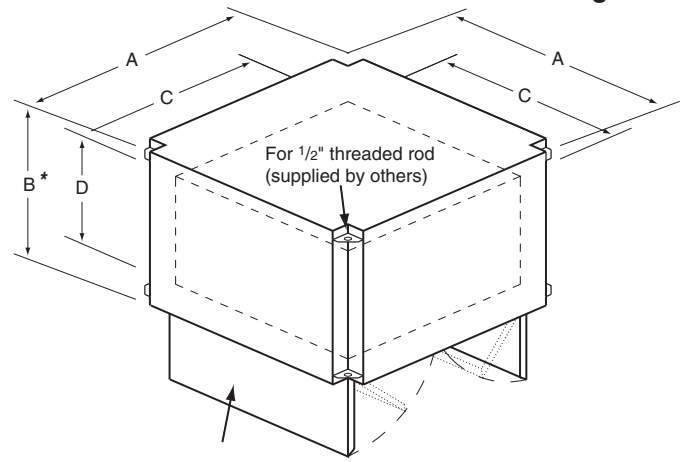
**Dimensions & Data**

	LCD Lift A	LCD Lift B
Overall Unit Size (HWL) <sup>2</sup> :	17¾" x 24" x 24"	22¾" x 29" x 29"
Projector Space (HWL) <sup>1</sup> :	11" x 18" x 18"	16" x 23" x 23"
Required Space Above Ceiling <sup>2</sup> :	17¾"	22¾"
Clearance Below Ceiling:	12"	14½"
Ceiling Opening:	24½" x 24½"	29½" x 29½"
Capacity:	65 lbs.	65 lbs.
Shipping Weight:	95 lbs.	130 lbs.
Amperes <sup>3</sup> :	1	1
Downward Travel Distance:	11½"	16½"
Travel Time:	16 sec.	21 sec.

<sup>1</sup> Subtract 47/8" from available projector height if Aero Low Profile Mount with Universal Projector Bracket is specified.

<sup>2</sup> Add ¾" to height dimension if Ceiling Closure Panel is specified.

<sup>3</sup> Does not include any load placed on LCD Lift's internal switched outlets.



Bomb bay door assembly standard.  
Flat ceiling closure panel available.

	A	B*	C	D	Travel	Lift Capacity
LCD Lift A	24"	17¾"	18"	11"	11½"	65 lbs.
LCD Lift B	29"	22¾"	23"	16"	16½"	65 lbs.

\* Ceiling Closure Panel adds ¾" to this dimension

**LCD Lift with optional Aero Low Profile Mount (Shown with optional ceiling closure panel)**

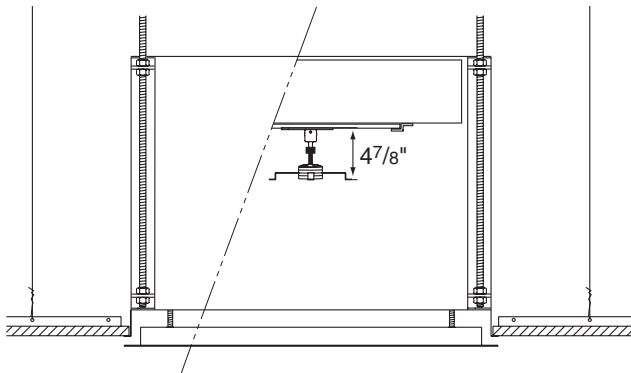
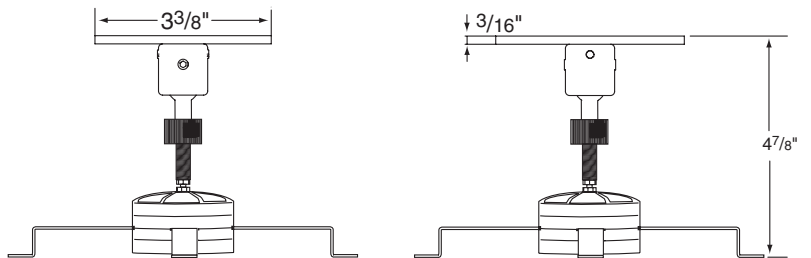
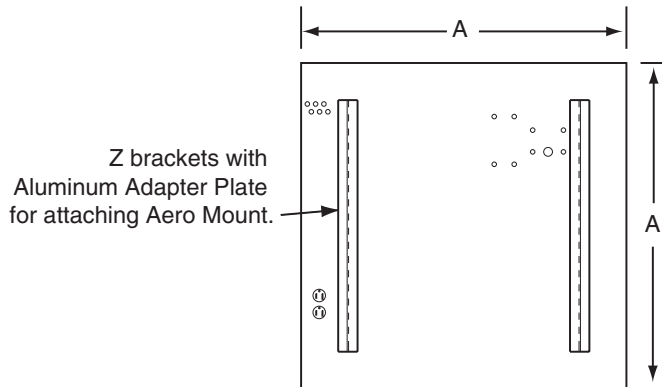


Figure 2

**Aero Low Profile Mount Dimensions**



**LCD Lift Pan Dimensions**



	A
LCD Lift A	18"
LCD Lift B	23"

**LCD Lift Aluminum Adapter Plate Dims**

