

Wiring Instructions

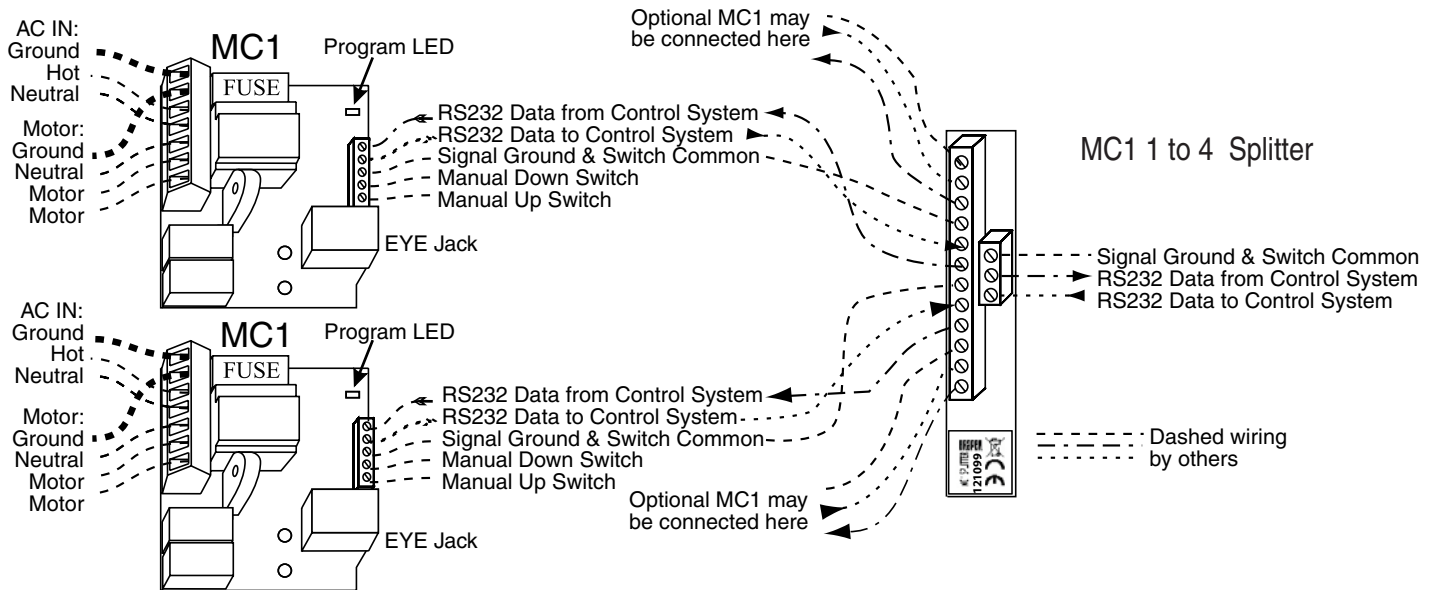
MC1—1-to-4 Splitter by Draper

Please Note

- ① Make sure power is disconnected before installing controls.
- ② Allows up to four MC1s to receive commands and report respective position, to a single RS232 connection.
- ③ MC1 is a line voltage control, designed to operate one motor. Activation by Low Voltage input commands.
- ④ The MC1 receiver has a built in fuse that provides protection from electrical shorts and overload.
- ⑤ Avoid static discharge, especially to screw terminals and eye jack.
- ⑥ Any Transmit, Receive and Signal Ground terminals may be used.

Please Note:

All connection wires must conform to the motor manufacturer's recommendation and prevailing electrical codes. The switch and control system wires should be at least 24 AWG and no larger than 18 AWG.



DRAPER

411 S. Pearl St., Spiceland, IN 47385 USA ■ 765-987-7999 ■ fax 765-987-7142
 e-mail draper@draperinc.com ■ www.draperinc.com

Copyright ©2005 Draper Inc. Form MC1-1-to-4-Spitter_Wiring06 Printed in U.S.A.

See separate Serial Communication-RS232 Instruction sheet for enabling RS232 with the MC1.

If you encounter any difficulties installing/wiring your MC1, call your dealer or Draper, Inc., Spiceland, Ind., (765) 987-7999; fax (765) 987-7142; or e-mail draper@draperinc.com.