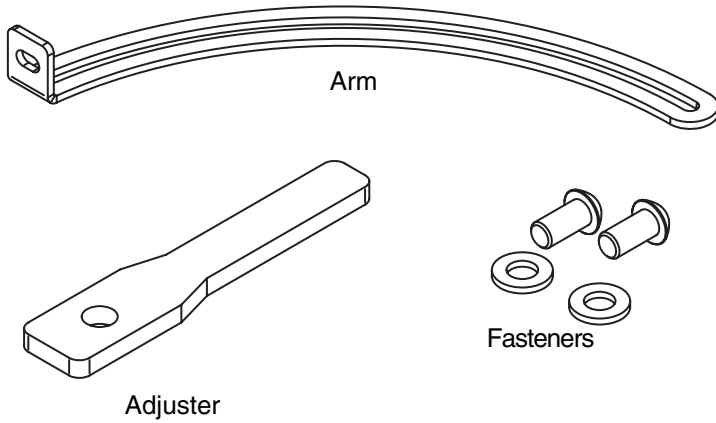


Assembly/Installation Instructions

Angled Ceiling Adapter for Orbiter Projector Lift by Draper

Angled Ceiling Adapter—Hardware & Parts



Installing Optional Angled Ceiling Adapter

The Orbiter can be installed in an angled ceiling using the Angled Ceiling Adapter. Follow the below instructions.

- ① Assemble the Angled Ceiling Adapter as shown in Fig. 1.

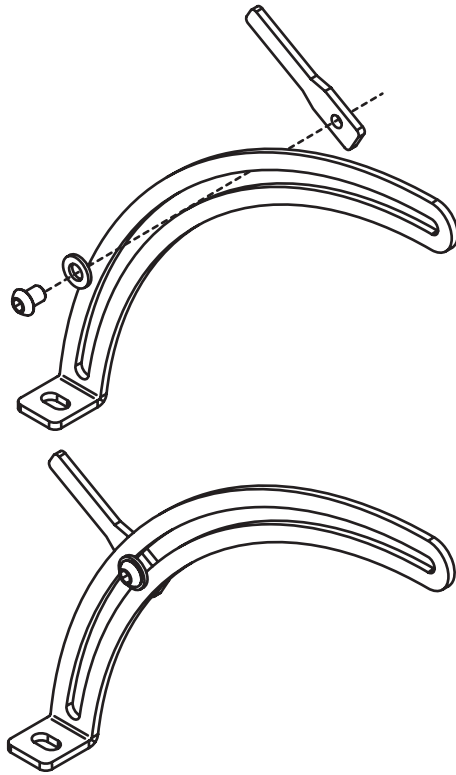


Figure 1

- ② Attach the Angled Ceiling Adapter as shown in Fig. 2, then install the Orbiter as per the separate Orbiter instructions. After installation, test the Orbiter's action.

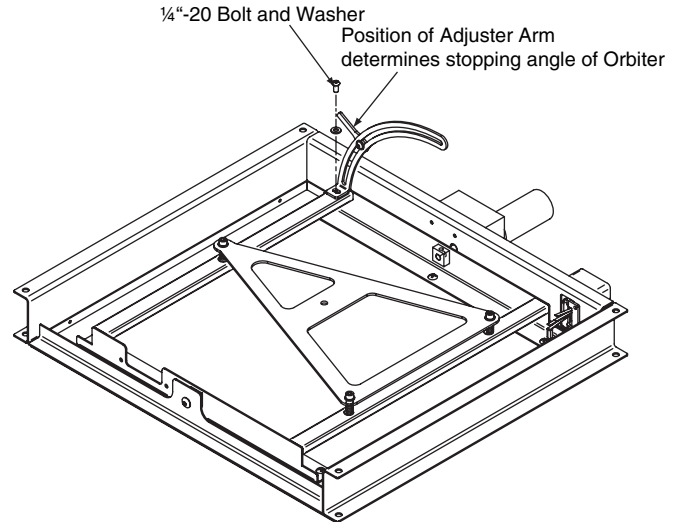
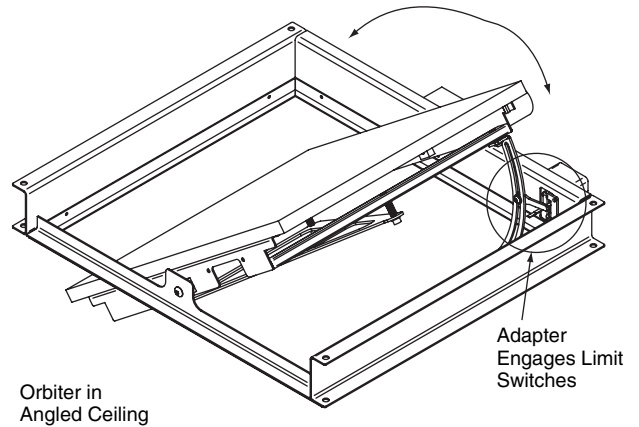
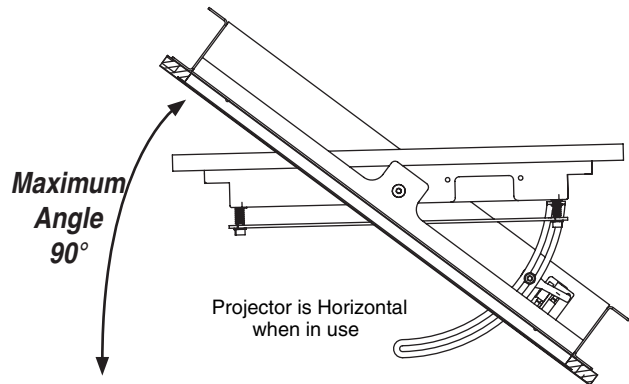


Figure 2

Orbiter in Operation with Optional Angled Ceiling Adapter



Orbiter in Angled Ceiling



Maximum Angle 90°

Projector is Horizontal when in use

DRAPER

411 S. Pearl St., Spiceland, IN 47385 USA ■ 765-987-7999 ■ fax 765-987-7142
e-mail draper@draperinc.com ■ www.draperinc.com

Copyright ©2006 Draper Inc. Form AngledClgAdapter-Orbiter_Inst06 Printed in U.S.A.

If you encounter any difficulties installing your Angled Ceiling Adapter, call your dealer or Draper, Inc. in Spiceland, Indiana, 765-987-7999, fax 765-987-7142, or E-mail draper@draperinc.com.