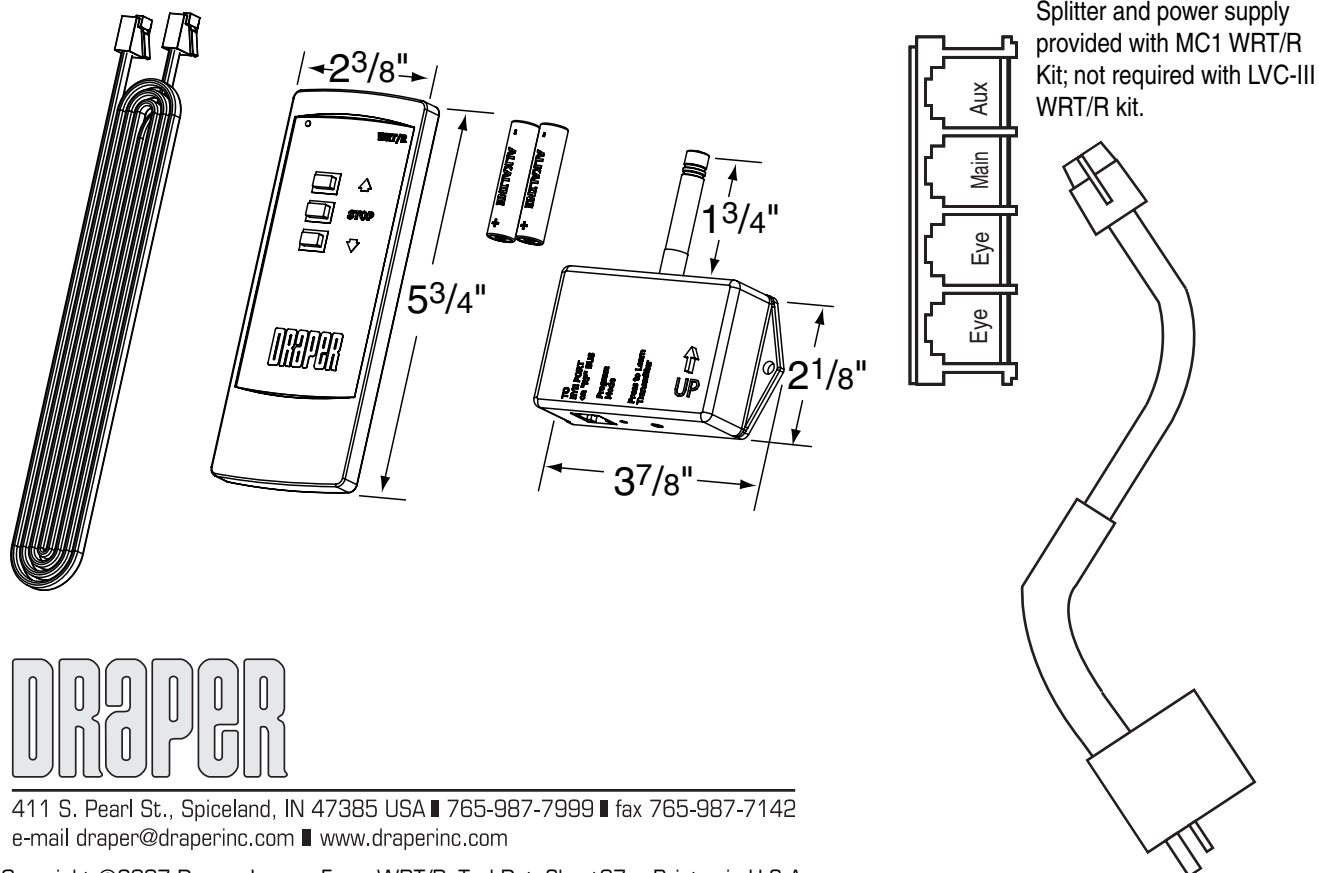


Technical Data Sheet

WRT/R—Radio Frequency Transmitter/Receiver By Draper

- USES:** Up, Down and Stop control of an LVC-III or MC1 via RF (radio frequency).
- COMPATIBILITY:** The WRT/R can be used with either the LVC-III, or the MC1 with a splitter and a power supply. Other controls may be connected to the LVC-III or MC1 simultaneously:
- LVC-S low voltage wall switch (or Auxiliary control systems employing "dry" contacts).
 - IRT/R infrared remote control package (with splitter).
 - LVC-SL LED low voltage wall switch (with splitter).
- The transmitter part of this package, the WRT, is a dual RF/IR transmitter, and is available as a replacement part.
The receiver part of this package can learn up to five remotes.
- CONTACTS:** None. This package merely consists of the transmitter and receiver. The contacts are part of the LVC-III or MC1.
- RATING:** Operates on a frequency of 433 Mhz. Transmitter operates on two AAA batteries.
- DESCRIPTION:** The WRT/R is a package consisting of a receiver and hand-held transmitter which control an LVC-III or MC1 via radio frequency. Its range with fresh batteries is approx. 75'. The transmitter is approx. $2\frac{3}{8}$ " wide, $5\frac{3}{4}$ " long, and $\frac{1}{2}$ " thick. Operates on two AAA batteries (included). The receiver is approx. $3\frac{7}{8}$ " x $2\frac{1}{8}$ " x 1", with an antenna approx. $1\frac{3}{4}$ " long, and a 10' long, 4-conductor modular cable, which plugs into a standard RJ-11 plug on the LVC-III or MC1. Each receiver will learn up to five unique transmitters.

ILLUSTRATION:



DRAPER

411 S. Pearl St., Spiceland, IN 47385 USA ■ 765-987-7999 ■ fax 765-987-7142
e-mail draper@draperinc.com ■ www.draperinc.com

Copyright ©2007 Draper Inc. Form WRT/R_TechDataSheet07 Printer in U.S.A.