

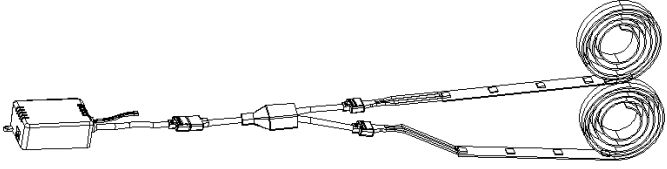
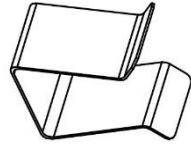
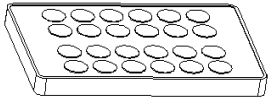
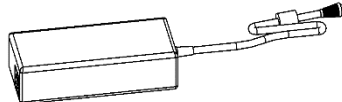
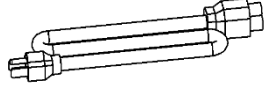
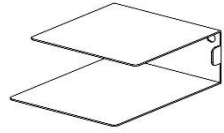


## LED Light kit for eFinity 2 EDGE FREE®

### Fixed Frame Screen

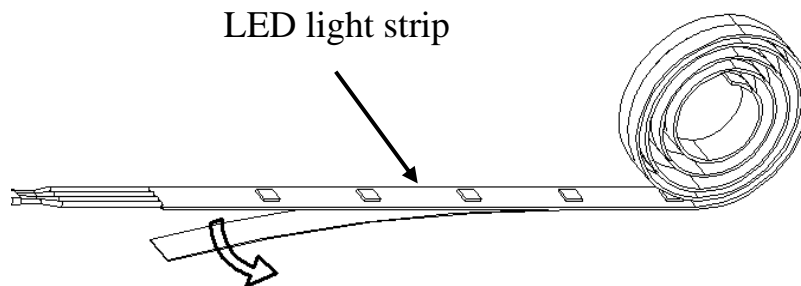
#### USER'S GUIDE

Specifications			
Dynamic Mode	18 modes	Direct Color Select	Yes
Static Color	16 colors	Output Color Switchable	Yes, 10 options
PWM Grade	256 grades	Operating Voltage	DC 12-24V
Brightness Grade	16 grades	Output Current	3x4A peak, 3x2A constant
Demo Mode	Yes	Remote distance	Up to 15 feet

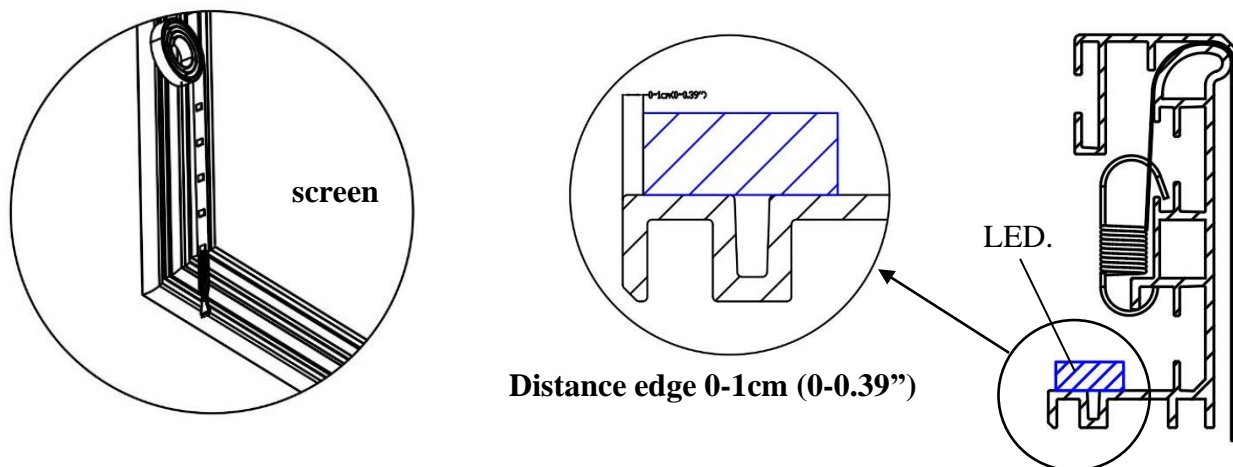
Hardware Parts List			
a. LED Strip + Controller <b>Diagonal Models 92"-165" x 2 LED Strips</b> 		b. LED clip 	
c. Remote Control 	d. Power Supply 	e. Power Cord 	f. Controller cover 

#### LED Light Assembly:

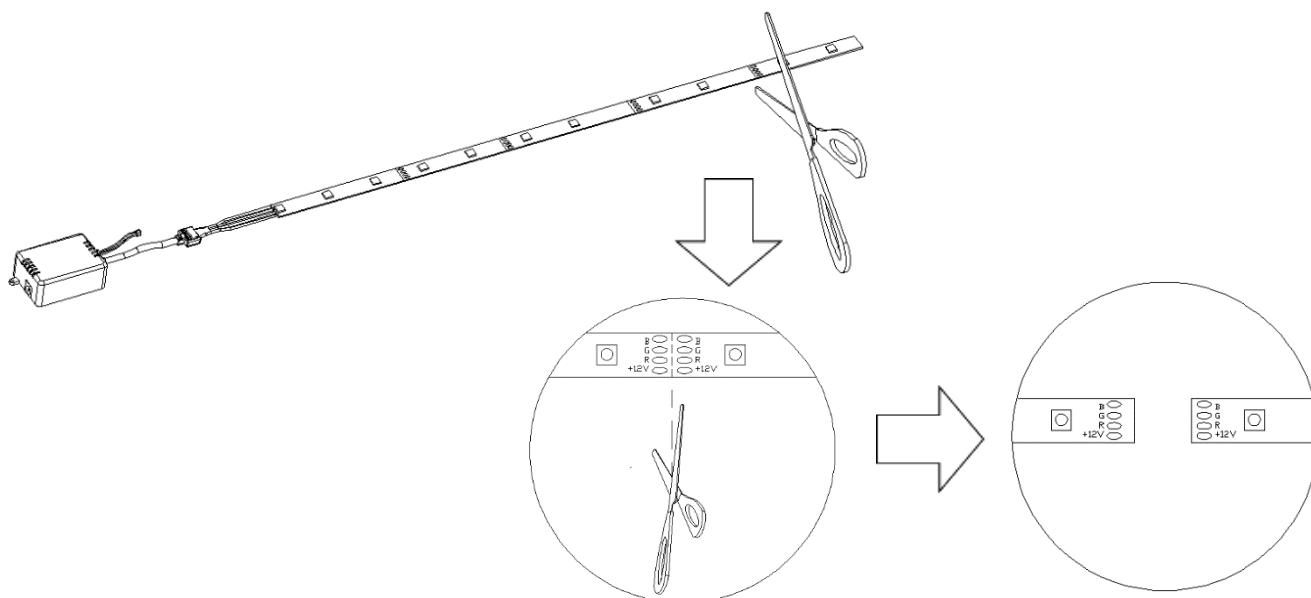
**Step 1.** Peel off the back to expose the adhesive.



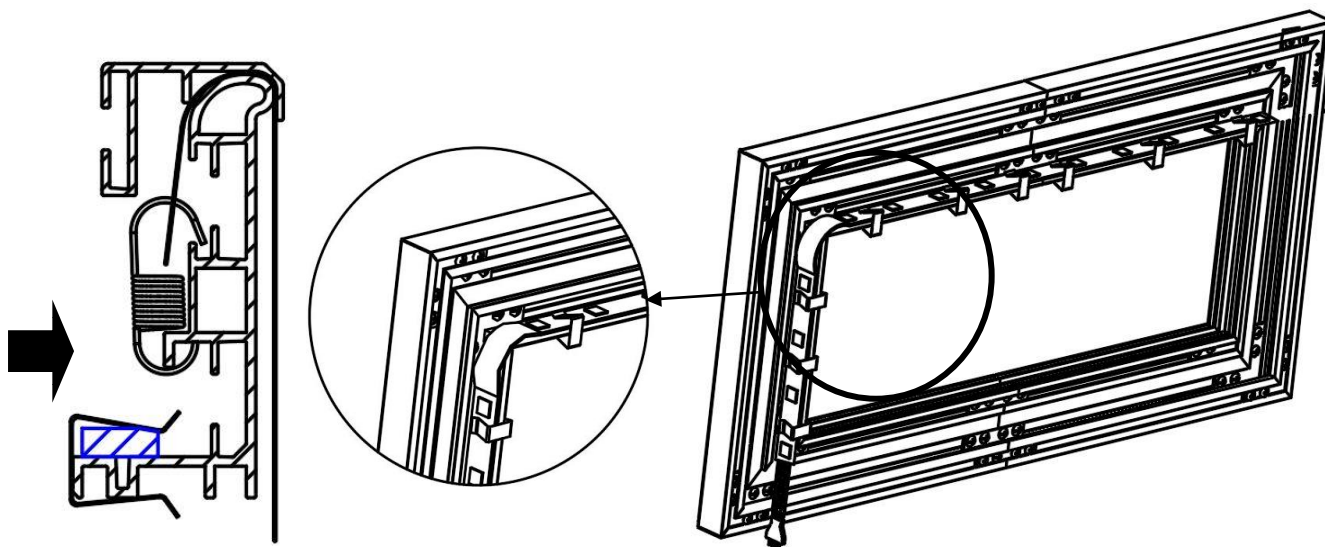
**Step 2.** Stick the LED light strip on the back of the frame slowly and smoothly. Continue all along the entire frame.



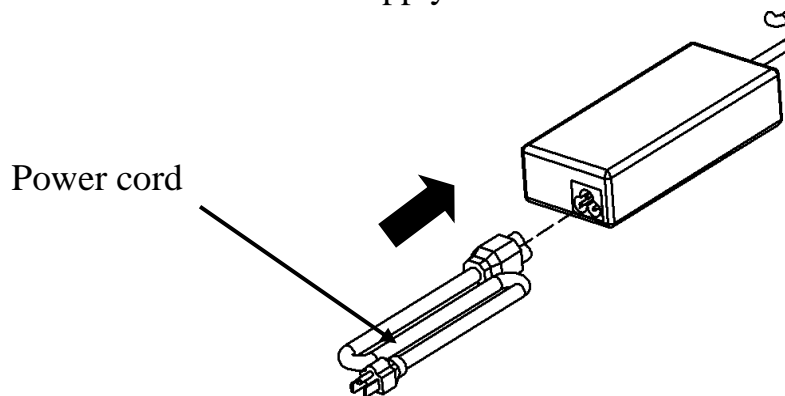
Note: If the LED strip is too long, it can be cut between the RGB contact points as shown below.



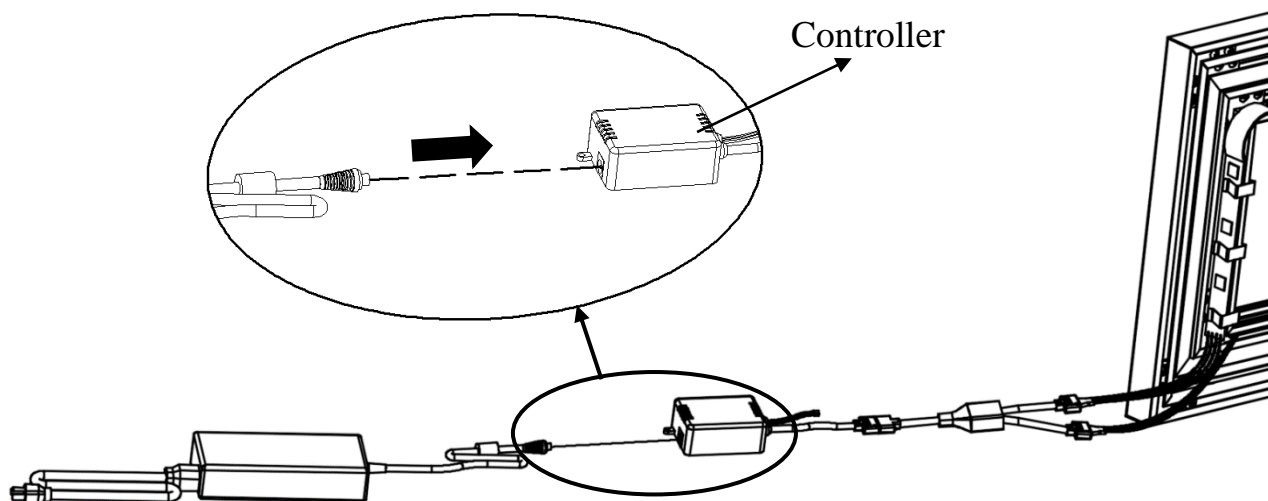
**Step 3.** Secure the LED light strip by using the LED clip as shown below.



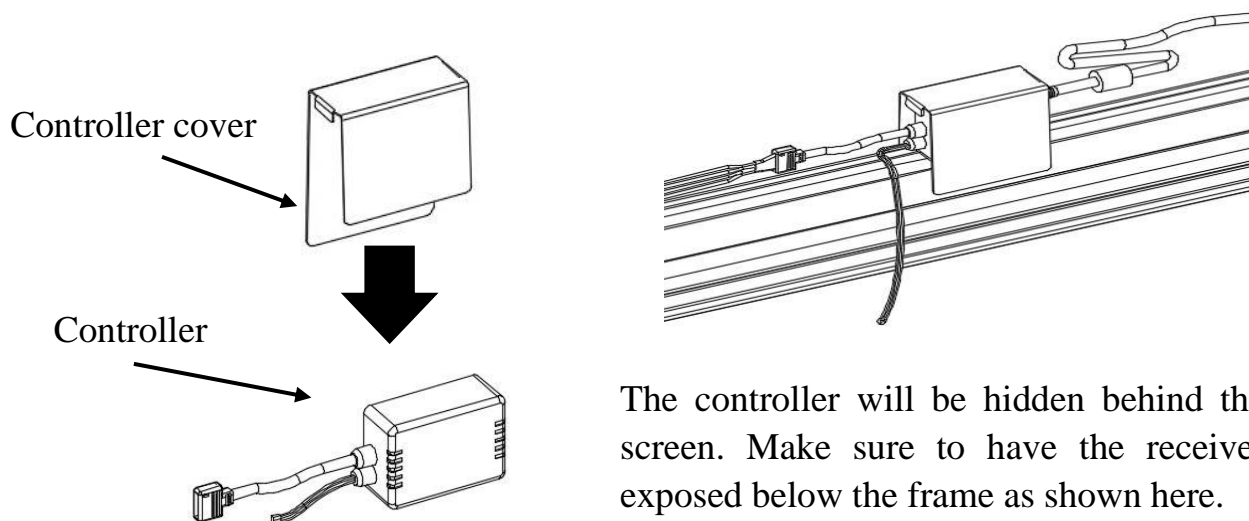
**Step 4. Plug the Power Cord to the Power Supply**



**Step 5. Connect the LED Controller to the Power Supply**

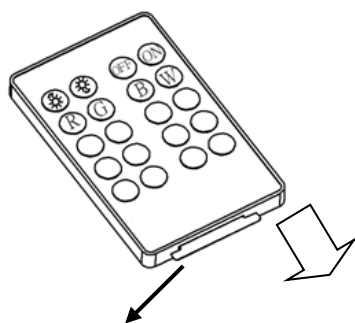


**Step 6. Install the controller cover on the frame.**

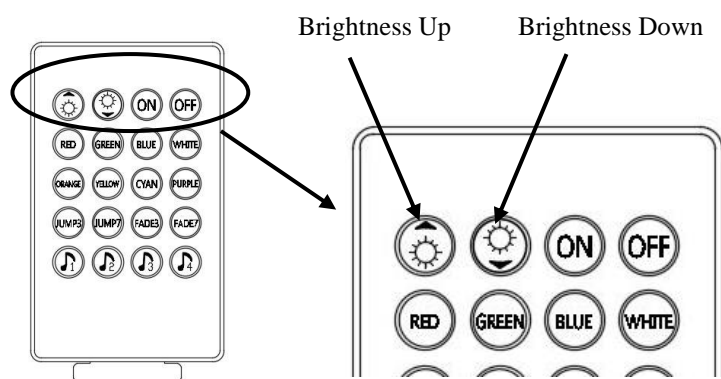


The controller will be hidden behind the screen. Make sure to have the receiver exposed below the frame as shown here.

## Step 7. Remote Control Operation



Remove this label before use



Button	Button Description	Remarks
ON	On	Turns the LED lights on
OFF	Off	Turns the LED lights off
☀	Brightness Increase	Increases the brightness of the LED lights
☾	Brightness Decrease	decreases the brightness of the LED lights
COLORS	Light color choice	To select corresponding static color.
JUMP 3	3 color step sequence	speed and brightness are adjustable
JUMP 7	7 color step sequence	
FADE 3	3 color fade change	speed is adjustable, brightness is not adjustable
FADE 7	7 color fade change	
🎵1	Sound control mode-I	Sound-control mode-I (general music), all colors will gradual or jump change following the music /sound rhythm. If no music /sound input or sensed, all colors will gradual change.
🎵2	Sound control mode-II	Sound-control mode-II (tenderness music), all colors will slow breathing or jump change following the music/sound rhythm. If no music/sound input or sensed, all colors will slow breathing change.
🎵3	Sound control mode-III	Sound-control mode-III (active music), all colors will jump change following the music/sound rhythm, if no music/sound input or sensed, current colors keep lighting.
🎵4	Sound control mode-IV	Sound-control mode-IV (DJ music), all colors will change following the music/sound rhythm. If no music/sound input or sensed, all colors are off.

### Disclaimer (Warning)

Please be cautious when handling and installing the LED light kit as the sensors are delicate. Avoid any actions that may damage the kit such as bending, stretching, ripping, or stepping on the lights as any damage that occurs with such activities will void the warranty. The LED kit was designed for the sole purpose of being installed onto the back of the Polar star eFinity frame. Do not use the LED kit for alternative purposes such as, but not limited to; decorative purposes, a primary source of light, installation on other appliances, etc. Any damage that may occur from improper installations will not be covered under the warranty policy.

**For Technical Support or an Elite Prime Vision contact in your area, visit**

[www.epvscreens.com](http://www.epvscreens.com)