



## PowerLite Pro Series G5200WNL

### Contents

---

Product Description / Lens Specifications  
 Distance charts and formulas  
 Dimensional Drawings  
 Accessories/Ceiling Mounts  
 Projector Interface Panel and Control Panel  
 Pin outs and RS232 Control codes

### Product Description

---

#### PowerLite Pro G5200WNL (V11H298920)

Type:	3LCD Projector	Brightness:	4200 / 3360
	0.74" Poly Silicon TFT	Dimensions:	18.5" (W) x 5.96" (H) x 12.26" (D)
Resolution:	WXGA – 1280 x 800	Weight:	14.8lbs
Fan Noise:	37dB / 30 dB	BTU:	1444 BTU/hr
Power Rating:	423W (max)		

### Available Lens

---

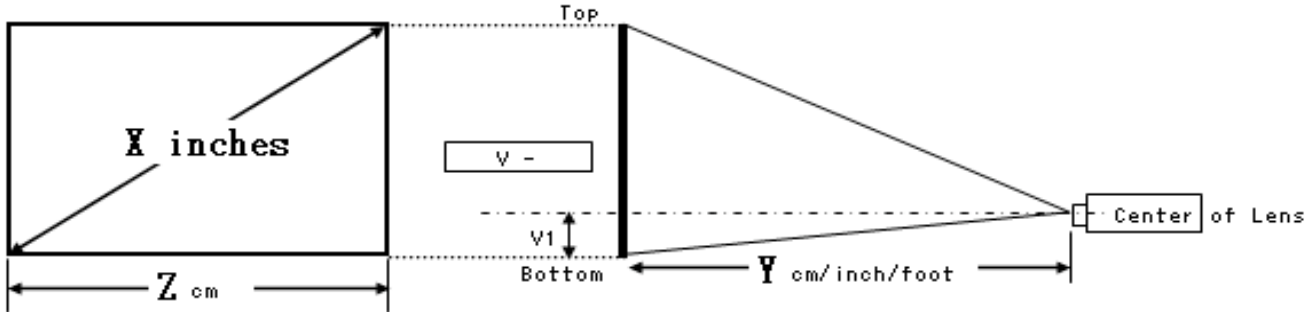
(Part Number)	
V12H004S03	Standard Zoom Lens
V12H004R03	Rear Projection Wide Lens
V12H004M04	Middle Throw Zoom Lens #1
V12H004M05	Middle Throw Zoom Lens #2
V12H004L06	Long Throw Zoom Lens

### Lens Specifications

---

<b>ELPLS03</b> V12H004S03	Throw Ratio: 1.3 – 2.4:1 Screen Sizes 30" – 300" Zoom Ratio: 1 – 1.82:1	Focal Length: 21.27mm – 37.93mm F/#: 1.64 – 2.5
<b>ELPLR03</b> V12H004R03	Throw Ratio: 0.78:1 Screen Sizes 30" – 200" Zoom Ratio:	Focal Length: 12.76mm F/#: 2.03
<b>ELPLM04</b> V12H004M04	Throw Ratio: 2.4 – 3.6:1 Screen Sizes: 40" – 300" Zoom Ratio: 1 – 1.53:1	Focal Length: 38.07mm – 57.09mm F/#: 1.83 – 2.45
<b>ELPLM05</b> V12H004M05	Throw Ratio: 3.5 – 5.4:1 Screen Sizes: 40" – 300" Zoom Ratio: 1 – 1.53:1	Focal Length: 56.95mm – 85.5mm F/#: 1.83 – 2.53
<b>ELPLL06</b> V12H004L06	Throw Ratio: 5.3 – 7.2:1 Screen Sizes 40" – 300" Zoom Ratio: 1 – 1.36:1	Focal Length: 84.91mm – 114.61mm F/#: 1.84 – 2.32

**Lens Formulas - WXGA Model (G5200W)**



<b>Distance Formulas</b>	<b>(16:10)</b>
<b>ELPLR03</b>	$Y = 0.669X - 1.52$ $V1 = 0.265X$
<b>ELPLS03</b>	$Y(\text{wide}) = 1.12X - 1.76$ $Y(\text{tele}) = 2.02x - 1.72$ $V1 = -0.05X \sim 0.58X$
<b>ELPLM04</b>	$Y(\text{wide}) = 2.02X - 3.93$ $Y(\text{tele}) = 3.06X - 3.87$ $V1 = -0.05X \sim 0.58X$
<b>ELPLM05</b>	$Y(\text{wide}) = 3.03X - 6.46$ $Y(\text{tele}) = 4.59X - 6.33$ $V1 = -0.05X \sim 0.58X$
<b>ELPLL06</b>	$Y(\text{wide}) = 4.53X - 7.08$ $Y(\text{tele}) = 6.11X - 7.13$ $V1 = -0.05x \sim 0.58X$

**Definitions (units are in inches)**  
 $Y$  = throw distance  
 $X$  = diagonal screen size  
 $W$  = image width  
 $H$  = image height  
 $V1$  = vertical offset

<b>4:3 Formulas</b>	<b>16:10 Formulas</b>	<b>16:9 Formulas</b>
$W = X / 1.25$	$X = W / 1.17924$	$W = X / 1.147375$
$W = H \times 4/3$	$W = H \times 10/16$	$W = H \times 9/16$
$H = W \times 4/3$	$H = W \times 10/16$	$H = W \times 9/16$

<b>Distance Formulas</b>	<b>(4:3)</b>
<b>ELPLR03</b>	$Y = 1.925X - 4.359$ $V1 = 0.3X$
<b>ELPLS03</b>	$Y(\text{wide}) = 1.27X - 1.99$ $Y(\text{tele}) = 2.28X - 1.94$ $V1 = -0.057X \sim 0.657X$
<b>ELPLM04</b>	$Y(\text{wide}) = 2.30X - 4.45$ $Y(\text{tele}) = 3.46X - 4.39$ $V1 = -0.057X \sim 0.657X$
<b>ELPLM05</b>	$Y(\text{wide}) = 3.43X - 7.31$ $Y(\text{tele}) = 5.20X - 7.17$ $V1 = -0.057X \sim 0.657X$
<b>ELPLL06</b>	$Y(\text{wide}) = 5.13X - 8.02$ $Y(\text{tele}) = 6.91X - 8.08$ $V1 = -0.057X \sim 0.657X$

**Definitions (units are in inches)**  
 $Y$  = throw distance  
 $X$  = diagonal screen size  
 $W$  = image width  
 $H$  = image height  
 $V1$  = vertical offset

<b>4:3 Formulas</b>	<b>16:10 Formulas</b>	<b>16:9 Formulas</b>
$W = X / 1.25$	$X = W / 1.17924$	$W = X / 1.147375$
$W = H \times 4/3$	$W = H \times 10/16$	$W = H \times 9/16$
$H = W \times 4/3$	$H = W \times 10/16$	$H = W \times 9/16$

<u>Distance Formulas</u>		<b>(16:9)</b>
<b>ELPLR03</b>	Y	= 1.747X – 3.957
	V1	= 0.24513X
<b>ELPLS03</b>	Y(wide)	= 1.15X – 1.81
	Y(tele)	= 2.07X – 1.76
	V1	= -0.079X ~ 0.569X
<b>ELPLM04</b>	Y(wide)	= 2.08X – 4.04
	Y(tele)	= 3.14X – 3.98
	V1	= -0.079X ~ 0.569X
<b>ELPLM05</b>	Y(wide)	= 3.12X – 6.64
	Y(tele)	= 4.72X – 6.51
	V1	= -0.079X ~ 0.569X
<b>ELPLL06</b>	Y(wide)	= 4.66X – 7.28
	Y(tele)	= 6.28X – 7.33
	V1	= -0.079X ~ 0.569X

Definitions (units are in inches)

Y = throw distance  
X = diagonal screen size  
W = image width  
H = image height  
V1 = vertical offset

4:3 Formulas

W = X / 1.25  
W = H x 4/3  
H = W x 4/3

16:10 Formulas

X= W / 1.17924  
W = H x 10/16  
H = W x 10/16

16:9 Formulas

W = X / 1.147375  
W = H x 9/16  
H = W x 9/16

**\*\* Note – popular screen sizes are listed in the charts below. If you do not see your screen size in the chart, please use the formulas above \*\***

Distance Charts – Standard Lens (ELPLS03) - WXGA Model (G5200W)

This chart is for reference. For Exact measurements use Distance Formula Calculations.

16 : 10

Screen [inch]	Projection distance						V-Offset	
	Wide			Tele			Wide & Tele	
	cm	inch	foot	cm	inch	foot	V1 cm	V1 inch
min 30	81	32	2.7	149	59	4.9	-4 ~44	-1.5 ~ 17.4
40	110	43	3.6	200	79	6.6	-5 ~59	-2.0 ~ 23.2
50	138	54	4.5	252	99	8.3	-6 ~74	-2.5 ~ 29.0
60	167	66	5.5	303	119	9.9	-8 ~88	-3.0 ~ 34.8
80	224	88	7.3	405	160	13.3	-10 ~118	-4.0 ~ 46.4
100	281	110	9.2	508	200	16.7	-13 ~147	-5.0 ~ 58.0
150	423	167	13.9	764	301	25.1	-19 ~221	-7.6 ~ 87.1
200	566	223	18.6	1020	401	33.5	-26 ~295	-10.1 ~ 116.1
250	708	279	23.2	1276	502	41.9	-32 ~369	-12.6 ~ 145.1
max 300	851	335	27.9	1532	603	50.3	-38 ~442	-15.1 ~ 174.1

This chart is for reference. For Exact measurements use Distance Formula Calculations.

4 : 3

Screen [inch]	Projection distance						V-Offset	
	Wide			Tele			Wide & Tele	
	cm	inch	foot	cm	inch	foot	V1 cm	V1 inch
min 26.5	81	32	2.7	149	59	4.9	-4 ~44	-1.5 ~ 17.4
30	92	36	3.0	169	67	5.5	-4 ~50	-1.7 ~ 19.7
40	124	49	4.1	227	89	7.4	-6 ~67	-2.3 ~ 26.3
50	156	62	5.1	285	112	9.3	-7 ~83	-2.9 ~ 32.9
60	189	74	6.2	343	135	11.2	-9 ~100	-3.4 ~ 39.4
80	253	100	8.3	459	181	15.1	-12 ~134	-4.6 ~ 52.6
100	318	125	10.4	575	226	18.9	-15 ~167	-5.7 ~ 65.7
150	479	189	15.7	864	340	28.4	-22 ~250	-8.6 ~ 98.6
200	640	252	21.0	1154	454	37.9	-29 ~334	-11.4 ~ 131.4
250	802	316	26.3	1444	569	47.4	-36 ~417	-14.3 ~ 164.3
max 265	851	335	27.9	1532	603	50.3	-38 ~442	-15.1 ~ 174.1

This chart is for reference. For Exact measurements use Distance Formula Calculations.

16 : 9

Screen [inch]	Projection distance						V-Offset	
	Wide			Tele			Wide & Tele	
	cm	inch	foot	cm	inch	foot	V1 cm	V1 inch
min 29.2	81	32	2.7	149	59	4.9	-6 ~42	-2.3 ~ 16.6
30	83	33	2.7	153	60	5.0	-6 ~43	-2.4 ~ 17.1
40	113	44	3.7	206	81	6.8	-8 ~58	-3.2 ~ 22.8
50	142	56	4.7	259	102	8.5	-10 ~72	-4.0 ~ 28.5
60	171	67	5.6	311	123	10.2	-12 ~87	-4.7 ~ 34.2
80	230	90	7.5	417	164	13.7	-16 ~116	-6.3 ~ 45.5
100	288	114	9.5	522	205	17.1	-20 ~145	-7.9 ~ 56.9
150	435	171	14.3	785	309	25.8	-30 ~217	-11.9 ~ 85.4
200	581	229	19.1	1048	413	34.4	-40 ~289	-15.8 ~ 113.9
250	728	287	23.9	1311	516	43.0	-50 ~362	-19.8 ~ 142.3
max 292	851	335	27.9	1532	603	50.3	-59 ~422	-23.1 ~ 166.2



Distance Charts – Rear Projection Wide Lens (ELPLR03) - WXGA Model (G5200W)

This chart is for reference. For Exact measurements use Distance Formula Calculations.

16 : 10

Screen [inch]	Projection distance						V-Offset	
	Wide			Tele			Wide & Tele	
	cm	inch	foot	cm	inch	foot	V1 cm	V1 inch
min 30	47	19	1.5	0	0	0.0	20	7.9
40	64	25	2.1	0	0	0.0	27	10.6
50	81	32	2.7	0	0	0.0	34	13.2
60	98	39	3.2	0	0	0.0	40	15.9
80	132	52	4.3	0	0	0.0	54	21.2
100	166	65	5.5	0	0	0.0	67	26.5
150	251	99	8.2	0	0	0.0	101	39.7
200	336	132	11.0	0	0	0.0	135	53.0
250	421	166	13.8	0	0	0.0	168	66.2
max 200	336	132	11.0	0	0	0.0	135	53.0

This chart is for reference. For Exact measurements use Distance Formula Calculations.

4 : 3

Screen [inch]	Projection distance						V-Offset	
	Wide			Tele			Wide & Tele	
	cm	inch	foot	cm	inch	foot	V1 cm	V1 inch
min 26.5	47	19	1.5	0	0	0.0	20	7.9
30	53	21	1.8	0	0	0.0	23	9.0
40	73	29	2.4	0	0	0.0	30	12.0
50	92	36	3.0	0	0	0.0	38	15.0
60	111	44	3.6	0	0	0.0	46	18.0
80	150	59	4.9	0	0	0.0	61	24.0
100	188	74	6.2	0	0	0.0	76	30.0
150	284	112	9.3	0	0	0.0	114	45.0
200	381	150	12.5	0	0	0.0	152	60.0
250	477	188	15.6	0	0	0.0	191	75.0
max 177	336	132	11.0	0	0	0.0	135	53.0

This chart is for reference. For Exact measurements use Distance Formula Calculations.

16 : 9

Screen [inch]	Projection distance						V-Offset	
	Wide			Tele			Wide & Tele	
	cm	inch	foot	cm	inch	foot	V1 cm	V1 inch
min 29.2	47	19	1.5	0	0	0.0	18	7.2
30	48	19	1.6	0	0	0.0	19	7.4
40	66	26	2.2	0	0	0.0	25	9.8
50	83	33	2.7	0	0	0.0	31	12.3
60	101	40	3.3	0	0	0.0	37	14.7
80	136	53	4.5	0	0	0.0	50	19.6
100	171	67	5.6	0	0	0.0	62	24.5
150	258	102	8.5	0	0	0.0	93	36.8
200	345	136	11.3	0	0	0.0	125	49.0
250	433	170	14.2	0	0	0.0	156	61.3
max 195	336	132	11.0	0	0	0.0	121	47.7

Distance Charts – Mid Throw Lens (ELPLM04) - WXGA Model (G5200W)

16 : 10

This chart is for reference. For Exact measurements use Distance Formula Calculations.

Screen [inch]	Projection distance						V-Offset	
	Wide			Tele			Wide & Tele	
	cm	inch	foot	cm	inch	foot	V1 cm	V1 inch
min 40	196	77	6.4	301	118	9.9	-5 ~59	-2.0 ~ 23.2
40	196	77	6.4	301	118	9.9	-5 ~59	-2.0 ~ 23.2
50	247	97	8.1	378	149	12.4	-6 ~74	-2.5 ~ 29.0
60	298	117	9.8	456	179	15.0	-8 ~88	-3.0 ~ 34.8
80	401	158	13.2	611	241	20.0	-10 ~118	-4.0 ~ 46.4
100	504	198	16.5	766	302	25.1	-13 ~147	-5.0 ~ 58.0
150	761	300	25.0	1154	454	37.9	-19 ~221	-7.6 ~ 87.1
200	1018	401	33.4	1542	607	50.6	-26 ~295	-10.1 ~ 116.1
250	1275	502	41.8	1930	760	63.3	-32 ~369	-12.6 ~ 145.1
max 300	1532	603	50.3	2318	913	76.1	-38 ~442	-15.1 ~ 174.1

4 : 3

This chart is for reference. For Exact measurements use Distance Formula Calculations.

Screen [inch]	Projection distance						V-Offset	
	Wide			Tele			Wide & Tele	
	cm	inch	foot	cm	inch	foot	V1 cm	V1 inch
min 35.3	196	77	6.4	301	118	9.9	-5 ~59	-2.0 ~ 23.2
30	163	64	5.4	252	99	8.3	-4 ~50	-1.7 ~ 19.7
40	221	87	7.3	340	134	11.2	-6 ~67	-2.3 ~ 26.3
50	280	110	9.2	428	169	14.0	-7 ~83	-2.9 ~ 32.9
60	338	133	11.1	516	203	16.9	-9 ~100	-3.4 ~ 39.4
80	454	179	14.9	692	272	22.7	-12 ~134	-4.6 ~ 52.6
100	571	225	18.7	867	341	28.5	-15 ~167	-5.7 ~ 65.7
150	862	339	28.3	1307	514	42.9	-22 ~250	-8.6 ~ 98.6
200	1152	454	37.8	1746	687	57.3	-29 ~334	-11.4 ~ 131.4
250	1443	568	47.4	2185	860	71.7	-36 ~417	-14.3 ~ 164.3
max 265	1532	603	50.3	2318	913	76.1	-38 ~442	-15.1 ~ 174.1

16 : 9

This chart is for reference. For Exact measurements use Distance Formula Calculations.

Screen [inch]	Projection distance						V-Offset	
	Wide			Tele			Wide & Tele	
	cm	inch	foot	cm	inch	foot	V1 cm	V1 inch
min 38.9	196	77	6.4	301	118	9.9	-8 ~56	-3.1 ~ 22.2
30	148	58	4.9	229	90	7.5	-6 ~43	-2.4 ~ 17.1
40	201	79	6.6	309	122	10.1	-8 ~58	-3.2 ~ 22.8
50	254	100	8.3	389	153	12.8	-10 ~72	-4.0 ~ 28.5
60	307	121	10.1	468	184	15.4	-12 ~87	-4.7 ~ 34.2
80	412	162	13.5	628	247	20.6	-16 ~116	-6.3 ~ 45.5
100	518	204	17.0	787	310	25.8	-20 ~145	-7.9 ~ 56.9
150	782	308	25.7	1186	467	38.9	-30 ~217	-11.9 ~ 85.4
200	1046	412	34.3	1585	624	52.0	-40 ~289	-15.8 ~ 113.9
250	1310	516	43.0	1984	781	65.1	-50 ~362	-19.8 ~ 142.3
max 292	1532	603	50.3	2318	913	76.1	-59 ~422	-23.1 ~ 166.2



Distance Charts – Mid Throw Lens (ELPLM05) - WXGA Model (G5200W)

**16 : 10**

This chart is for reference. For Exact measurements use Distance Formula Calculations.

Screen [inch]	Projection distance						V-Offset	
	Wide			Tele			Wide & Tele	
	cm	inch	foot	cm	inch	foot	V1 cm	V1 inch
min 40	292	115	9.6	450	177	14.8	-5 ~59	-2.0 ~ 23.2
40	292	115	9.6	450	177	14.8	-5 ~59	-2.0 ~ 23.2
50	369	145	12.1	567	223	18.6	-6 ~74	-2.5 ~ 29.0
60	446	175	14.6	684	269	22.4	-8 ~88	-3.0 ~ 34.8
80	600	236	19.7	917	361	30.1	-10 ~118	-4.0 ~ 46.4
100	754	297	24.7	1150	453	37.7	-13 ~147	-5.0 ~ 58.0
150	1139	448	37.4	1733	682	56.9	-19 ~221	-7.6 ~ 87.1
200	1524	600	50.0	2316	912	76.0	-26 ~295	-10.1 ~ 116.1
250	1909	751	62.6	2899	1141	95.1	-32 ~369	-12.6 ~ 145.1
max 300	2294	903	75.2	3482	1371	114.2	-38 ~442	-15.1 ~ 174.1

**4 : 3**

This chart is for reference. For Exact measurements use Distance Formula Calculations.

Screen [inch]	Projection distance						V-Offset	
	Wide			Tele			Wide & Tele	
	cm	inch	foot	cm	inch	foot	V1 cm	V1 inch
min 35.3	292	115	9.6	450	177	14.8	-5 ~59	-2.0 ~ 23.2
30	243	96	8.0	378	149	12.4	-4 ~50	-1.7 ~ 19.7
40	330	130	10.8	510	201	16.7	-6 ~67	-2.3 ~ 26.3
50	417	164	13.7	642	253	21.1	-7 ~83	-2.9 ~ 32.9
60	504	199	16.5	774	305	25.4	-9 ~100	-3.4 ~ 39.4
80	679	267	22.3	1038	409	34.0	-12 ~134	-4.6 ~ 52.6
100	853	336	28.0	1302	513	42.7	-15 ~167	-5.7 ~ 65.7
150	1289	507	42.3	1962	772	64.4	-22 ~250	-8.6 ~ 98.6
200	1725	679	56.6	2622	1032	86.0	-29 ~334	-11.4 ~ 131.4
250	2161	851	70.9	3282	1292	107.7	-36 ~417	-14.3 ~ 164.3
max 265	2294	903	75.2	3482	1371	114.2	-38 ~442	-15.1 ~ 174.1

**16 : 9**

This chart is for reference. For Exact measurements use Distance Formula Calculations.

Screen [inch]	Projection distance						V-Offset	
	Wide			Tele			Wide & Tele	
	cm	inch	foot	cm	inch	foot	V1 cm	V1 inch
min 38.9	292	115	9.6	450	177	14.8	-8 ~56	-3.1 ~ 22.2
30	221	87	7.2	343	135	11.3	-6 ~43	-2.4 ~ 17.1
40	300	118	9.8	463	182	15.2	-8 ~58	-3.2 ~ 22.8
50	379	149	12.4	583	229	19.1	-10 ~72	-4.0 ~ 28.5
60	458	180	15.0	703	277	23.0	-12 ~87	-4.7 ~ 34.2
80	616	243	20.2	942	371	30.9	-16 ~116	-6.3 ~ 45.5
100	775	305	25.4	1182	465	38.8	-20 ~145	-7.9 ~ 56.9
150	1170	461	38.4	1781	701	58.4	-30 ~217	-11.9 ~ 85.4
200	1566	617	51.4	2380	937	78.1	-40 ~289	-15.8 ~ 113.9
250	1962	772	64.4	2980	1173	97.8	-50 ~362	-19.8 ~ 142.3
max 292	2294	903	75.2	3482	1371	114.2	-59 ~422	-23.1 ~ 166.2

Distance Charts – Long Throw Lens (ELPLL06) - WXGA Model (G5200W)

16 : 10

This chart is for reference. For Exact measurements use Distance Formula Calculations.

Screen [inch]	Projection distance						V-Offset	
	Wide			Tele			Wide & Tele	
	cm	inch	foot	cm	inch	foot	V1 cm	V1 inch
min 40	442	174	14.5	602	237	19.8	-5 ~59	-2.0 ~ 23.2
40	442	174	14.5	602	237	19.8	-5 ~59	-2.0 ~ 23.2
50	558	219	18.3	757	298	24.8	-6 ~74	-2.5 ~ 29.0
60	673	265	22.1	912	359	29.9	-8 ~88	-3.0 ~ 34.8
80	903	355	29.6	1223	481	40.1	-10 ~118	-4.0 ~ 46.4
100	1133	446	37.2	1533	603	50.3	-13 ~147	-5.0 ~ 58.0
150	1709	673	56.1	2308	909	75.7	-19 ~221	-7.6 ~ 87.1
200	2284	899	74.9	3084	1214	101.2	-26 ~295	-10.1 ~ 116.1
250	2860	1126	93.8	3859	1519	126.6	-32 ~369	-12.6 ~ 145.1
max 300	3435	1352	112.7	4635	1825	152.1	-38 ~442	-15.1 ~ 174.1

4 : 3

This chart is for reference. For Exact measurements use Distance Formula Calculations.

Screen [inch]	Projection distance						V-Offset	
	Wide			Tele			Wide & Tele	
	cm	inch	foot	cm	inch	foot	V1 cm	V1 inch
min 35.3	442	174	14.5	602	237	19.8	-5 ~59	-2.0 ~ 23.2
30	371	146	12.2	506	199	16.6	-4 ~50	-1.7 ~ 19.7
40	501	197	16.4	682	268	22.4	-6 ~67	-2.3 ~ 26.3
50	631	248	20.7	857	338	28.1	-7 ~83	-2.9 ~ 32.9
60	761	300	25.0	1033	407	33.9	-9 ~100	-3.4 ~ 39.4
80	1022	402	33.5	1384	545	45.4	-12 ~134	-4.6 ~ 52.6
100	1283	505	42.1	1735	683	56.9	-15 ~167	-5.7 ~ 65.7
150	1934	761	63.5	2613	1029	85.7	-22 ~250	-8.6 ~ 98.6
200	2586	1018	84.8	3491	1374	114.5	-29 ~334	-11.4 ~ 131.4
250	3237	1274	106.2	4369	1720	143.3	-36 ~417	-14.3 ~ 164.3
max 265	3435	1352	112.7	4635	1825	152.1	-38 ~442	-15.1 ~ 174.1

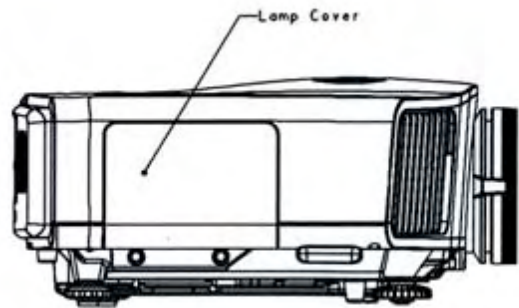
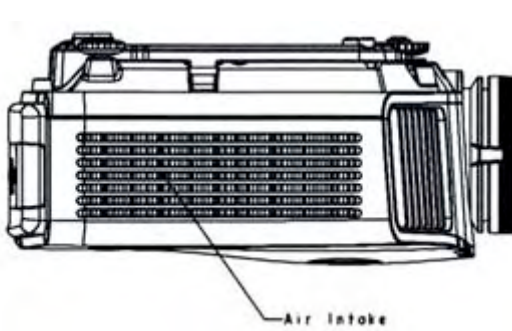
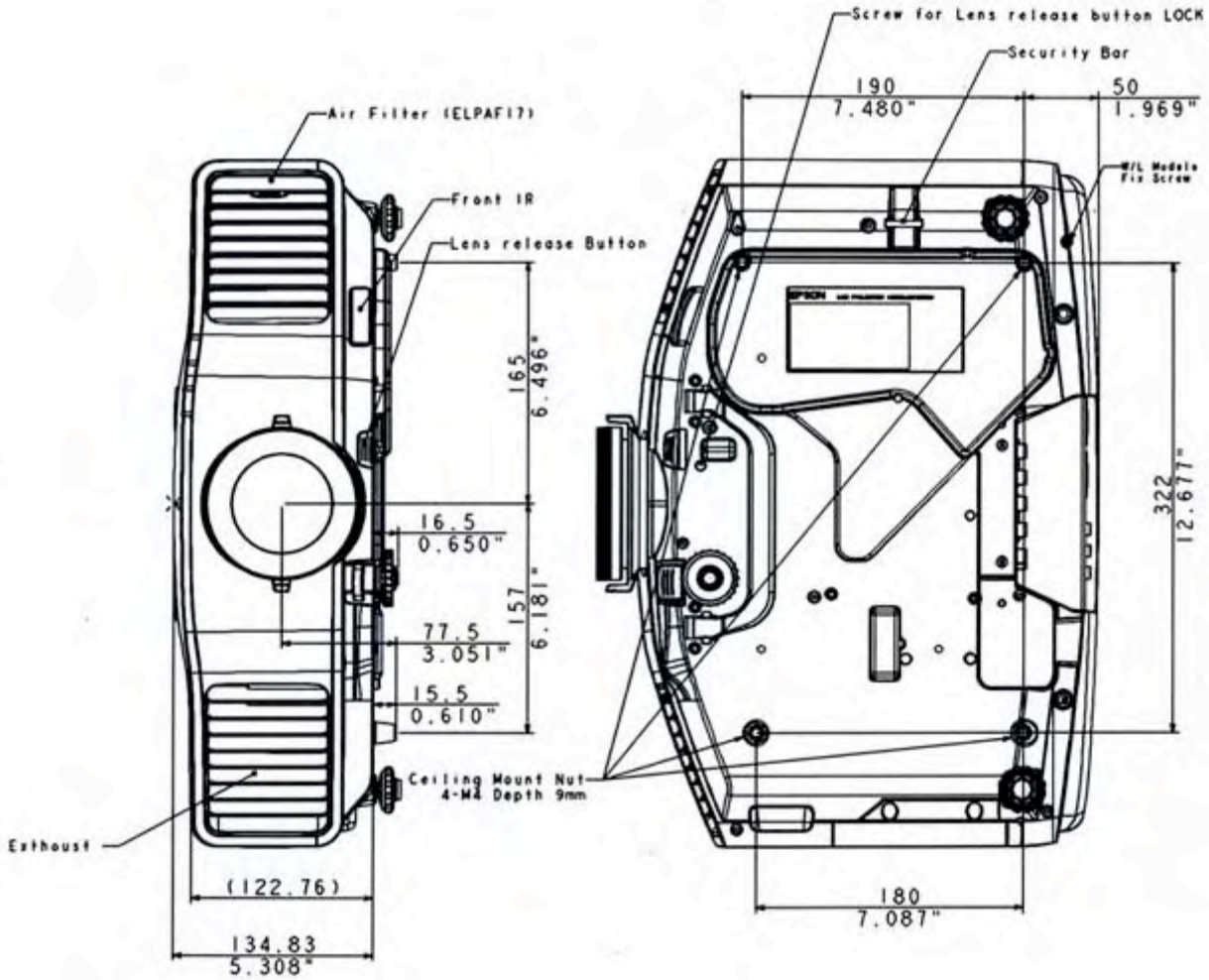
16 : 9

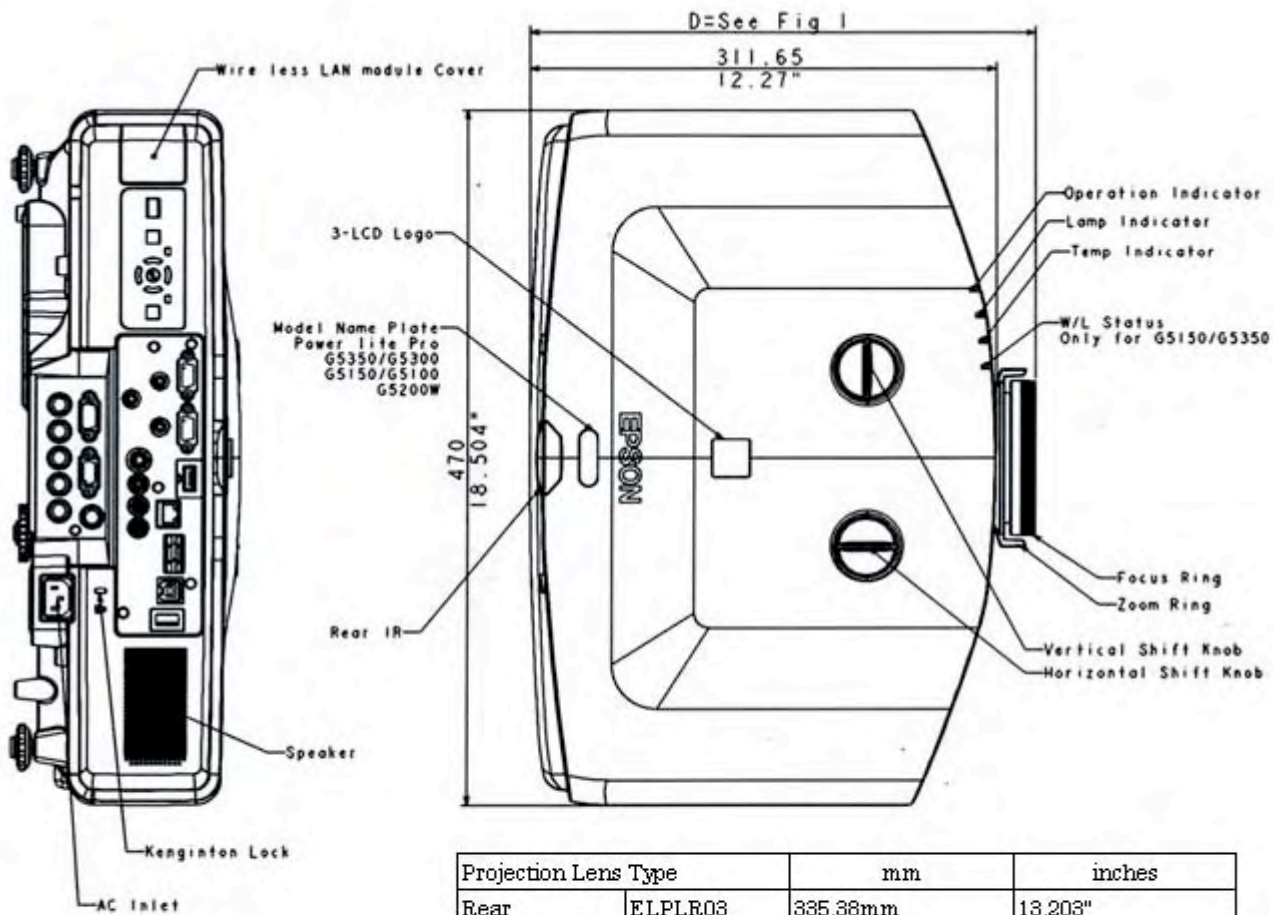
This chart is for reference. For Exact measurements use Distance Formula Calculations.

Screen [inch]	Projection distance						V-Offset	
	Wide			Tele			Wide & Tele	
	cm	inch	foot	cm	inch	foot	V1 cm	V1 inch
min 38.9	442	174	14.5	602	237	19.8	-8 ~56	-3.1 ~ 22.2
30	336	132	11.0	460	181	15.1	-6 ~43	-2.4 ~ 17.1
40	455	179	14.9	619	244	20.3	-8 ~58	-3.2 ~ 22.8
50	573	226	18.8	778	306	25.5	-10 ~72	-4.0 ~ 28.5
60	691	272	22.7	938	369	30.8	-12 ~87	-4.7 ~ 34.2
80	928	365	30.4	1257	495	41.2	-16 ~116	-6.3 ~ 45.5
100	1165	458	38.2	1575	620	51.7	-20 ~145	-7.9 ~ 56.9
150	1756	691	57.6	2373	934	77.8	-30 ~217	-11.9 ~ 85.4
200	2348	924	77.0	3170	1248	104.0	-40 ~289	-15.8 ~ 113.9
250	2939	1157	96.4	3967	1562	130.1	-50 ~362	-19.8 ~ 142.3
max 292	3435	1352	112.7	4635	1825	152.1	-59 ~422	-23.1 ~ 166.2



# Projector Dimensions





Projection Lens Type		mm	inches
Rear	ELPLR03	335.38mm	13.203"
Standard	ELPLS03	337.85 ±1.5mm	13.301 ±0.059"
Mid Throw	ELPLM04	337.87 ±2mm	13.298 ±0.0787"
Mid Throw	ELPLM05	340.53 ±3.5mm	13.407 ±0.138"
Long Throw	ELPLL06	341.11 ±3mm	13.430 ±0.118"

Fig 1

### Available Accessories

- V12H007T16 IR Mouse Receiver for Remote Control
- V13H010L47 Replacement Lamp for PowerLite Pro G5150
- V13H010L46 Replacement Lamp for PowerLite Pro G5200W
- V13H010L46 Replacement Lamp for PowerLite Pro G5350
- V12H005C28 Remote Control Cable Set
- V13H134A17 Air Filter

### Available Ceiling Mounts

- ELPMBPRG Advanced Projector Ceiling Mount with Precision Gear
- ELPMBP01 Adjustable Suspended Ceiling Channel Kit
- ELPMBP02 False Ceiling Plate
- ELPMBP03 Structural Round Ceiling Plate
- ELPMBP01 Adjustable Extension Column (Pipe) 8" - 11"

## Projector Panel



### Serial Cable Connection

- Communication condition
  - Baud rate : 9600 bps
  - Data length : 8 bits
  - Parity : No
  - Stop bit : 1 bit
  - Flow control : No
- Connector : D-sub 9pin
- Projector input : Control(RS-232C)



Projector		PC serial cable	Computer	
GND	5	—————	5	GND
RD	2	←—————	3	TD
TD	3	—————→	2	RD

Signal name	Function
GND	Common ground
TD	Transmitted data
RD	Received data



## RS232 Codes

---

Projector Control Codes:

Command Function	Command Name	Example	Code Returned Definition
Power On	PWR ON	:PWR ON	01
Power Off	PWR OFF	:PWR OFF	00
Power Status	PWR?	:PWR?	00: Standby Mode (Network OFF) 01: Lamp ON 02: Warmup 03: Cooldown 04: Standby Mode (Network ON) 05: Abnormality standby
Lamp Usage	LAMP?	:LAMP?	LAMP=nn (nn = Lamp Hours)
Changing Luminance	LUMINANCE	:LUMINANCE	00: High 01: Low
Confirming Luminance	LUMINANCE?	:LUMINANCE?	00: High 01: Low
Selecting Input Source	SOURCE	:SOURCE	10: Computer 1 VGA 11: Computer 1 RGB 14: Computer 1 Component 1F: Computer 1 Auto 20: Computer 2 VGA 21: Computer 2 RGB 24: Computer 2 Component 2F: Computer 2 Auto 30: HDMI 31: Digital RGB 33: RGB Video 34: YCbCr 35: YPbPr 41: Video 2 Composite 42: S Video 45: Video 1 BNC 50: EasyMP
Confirming Input Source	SOURCE?	:SOURCE?	SOURCE=xx (Where xx equals list above)
Setting A/V Mute	MUTE	:MUTE ON	ON/OFF
Confirming A/V Mute	MUTE?	:MUTE?	ON/OFF
Freeze Setting	FREEZE	:FREEZE	ON/OFF
Confirming Freeze	FREEZE?	:FREEZE?	ON/OFF

For more Projector Codes please see the ESCVP21 manual.

## ESCVP.net

---

For communication over IP, please see the ESCVP.net manual.