

PBM-123L

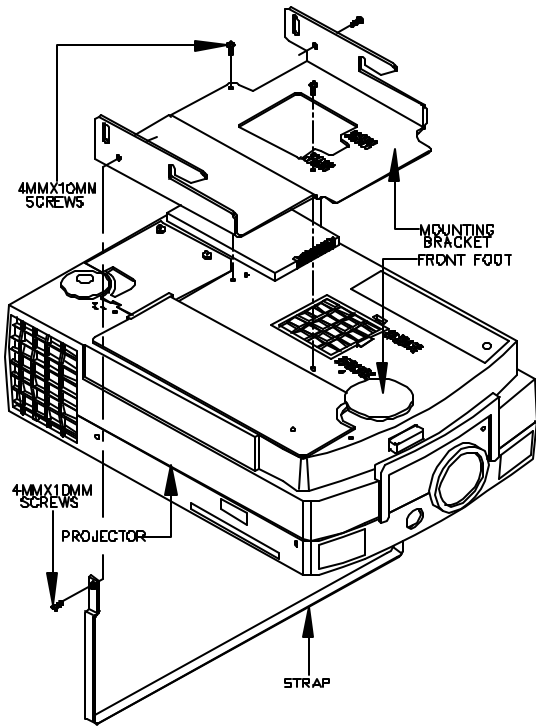
LCD Projector Mount

INSTALLATION INSTRUCTIONS

Step 1

Invert the projector and place it on a soft and flat surface. Raise the front adjustment foot slightly slide the projector bracket under the foot. lower the foot snug against the bracket. Locate the 4mm mounting holes located on the bottom of the projector. Secure the mounting bracket with the two (2) 4mmx10mm min (supplied) Phillip screws tighten to (4kg-cm). The hinge pin openings must face the lens of the projector. Align the holes from the strap to the threaded points on the side of the mounting bracket and secure using the two (2) 4mmx10mm Phillip screws.

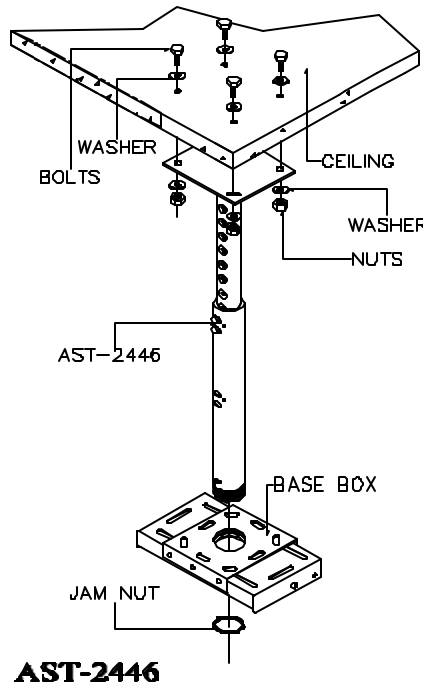
Do not over tighten!



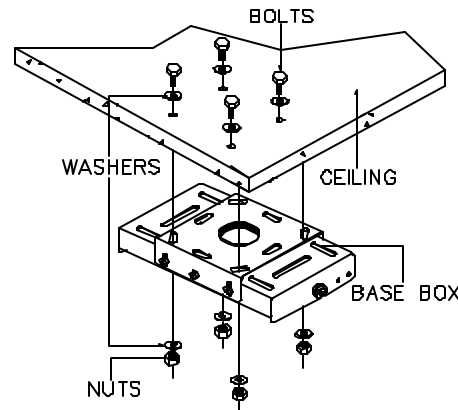
Step 2

Install the base box securely to the ceiling structure in accordance with proper commercial standards. Use (commercially available) suitable hardware depending on the installation requirements.

NOTE: If the (optional) **AST-2446** adjustable height suspension adapter is a part of the installation, securely install the adapter to the ceiling at this time. (Refer to its installation instructions).



AST-2446

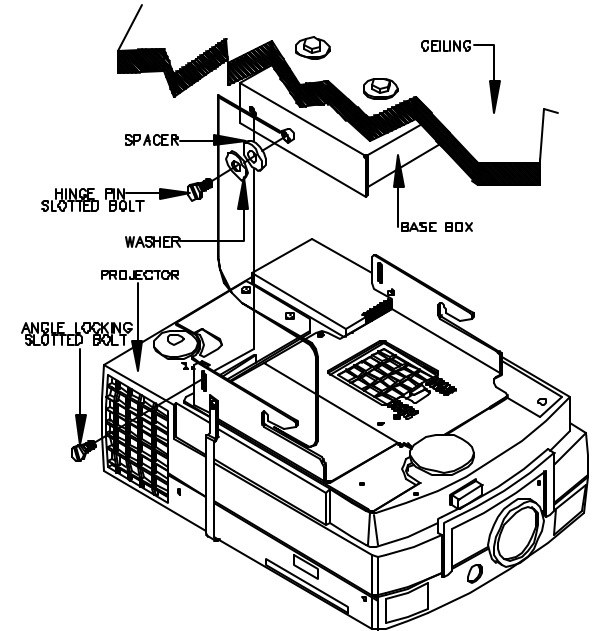


FIXED CEILING MOUNT

Step 3

Install the two (2) hinge pin bolts loosely on both sides of the base box. Raise the projector with the mounting bracket attached and slip through the hinge pin slots openings on the bracket into the base box. Install the two (2) angle locking bolts. Adjust the angle, lock it, and then tighten the hinge pin bolts.

Do not over tighten!



Step 4

Check all the hardware for proper tightness and security.

Continue

INSTALLATION INSTRUCTIONS

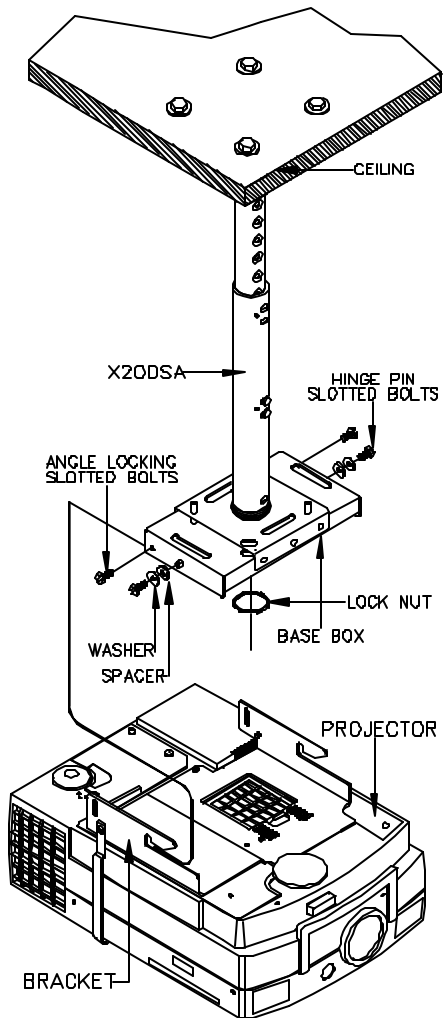
Step 5

Raise the projector with the mounting bracket and slip through the hinge pin slot openings on the bracket into the base box. Loosely install the two hinge pin bolts, spacers and washers and the angle locking bolts. Adjust the angle and lock it. Then tighten the hinge pin bolts.

Do not over tighten!

WARNING!

The ceiling should be capable of supporting a weight of at least five (5) times the projector(s) or monitor(s) weight. If it cannot, the ceiling must be reinforced. Proper installation procedure by qualified personnel as outlined in the installation instructions must be adhered to. Failure to do so could result in serious personal injury.



PBM-123L

Progressive Marketing Products, Inc.

2980-A Enterprise Street, Brea, Ca, 92821
Ph (800) 368-9700 Fax (800) 832-4888
E-mail: pmpl@pmpl.com Web Site: www.pmpl.com