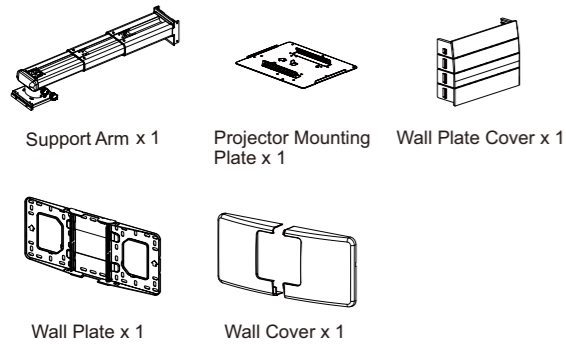


## Safety

Read these instructions carefully before installing your equipment

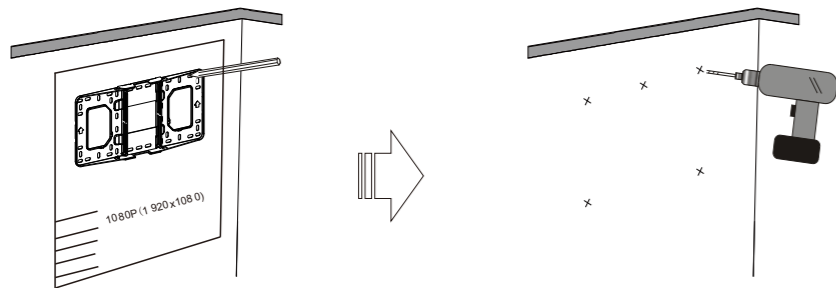
- Install the mount in suitable location using fixings which are appropriate for the wall material and structure
- Consult a qualified builder if you are in any doubt as to the structural integrity of the wall
- Use all available fixing points
- DO NOT attempt to alter or modify any part of the wall mount or its attachments
- DO NOT use if any parts are broken or appear to be damaged.
- Tighten all bolts and fixings securely
- Only use fixing provided with this bracket
- DO NOT mount your projector near to sources of heat or moisture
- Always have minimum of two persons to install the projector and the mount

## Package Overview



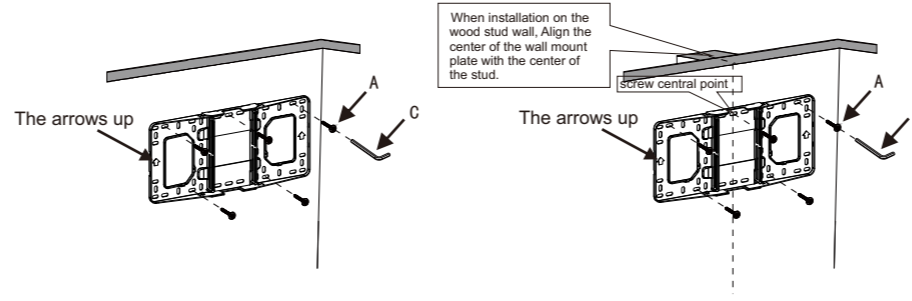
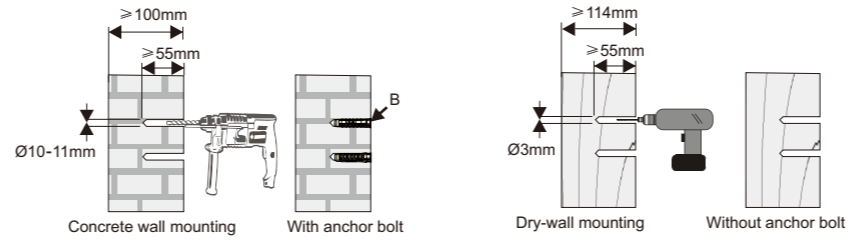
Fixing Kit			
NO	diagrammatic presentation	Specification	quantity
A		Screw(M6x55)	5
B		Anchor bolt	5
C		L5 Allen key	1
D		L3 Allen key	1
E		Screw (M4x8)	4
F		Screw (M6x15)	4

### Step 1: Attach the wall plate to the wall



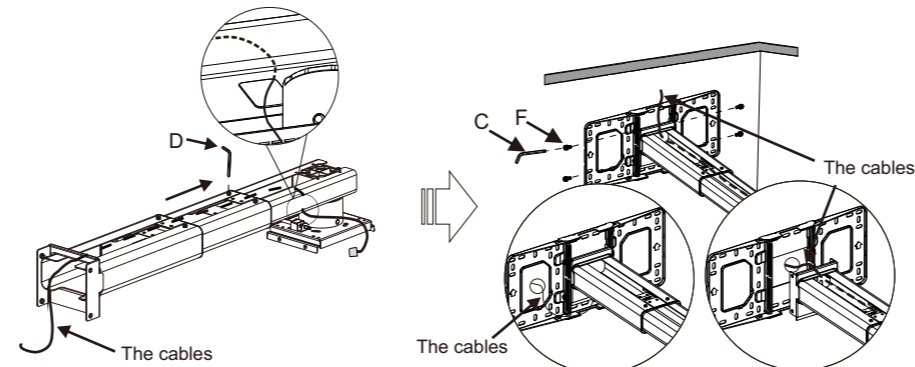
- If the board has been installed, please align the center line of the projector lens on the installation chart with that of the screen or board to locate the place of the mount period.
- For concrete wall mounting, thickness of the wall must be not less than 4" (100mm). Anchor bolt and screw (M6x55) are needed to be used for concrete wall installation.
- For Dry-wall mounting, thickness of the dry-wall must be not less than 4.5" (114mm). Only screw (M6x55) is needed to be used for installation, and gypsum board thickness less than 0.59" (15mm).

**Note:** If the thickness of wall is not strong enough, reinforce it sufficiently before installation.



- Insert Screw A (M6x55) from the fixing kit, tighten with a L5 Allen Key from fixing kit.

### Step 2: Attach the projector mount to the wall plate

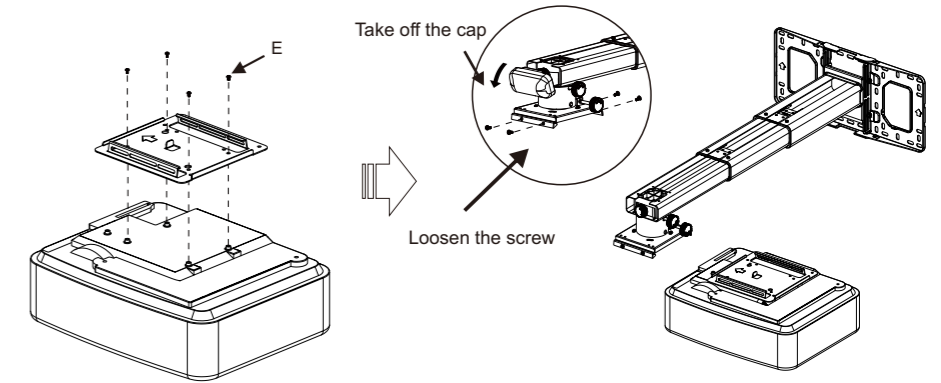


Loosen the screws with L3 allen wrench, pull out the support arm around 4" (100mm) and make power cable & signal cables go through the support arm.

The cables can go through the wall plate by three ways as shown in the pictures. Then, tighten the screw F after locating the projector position.

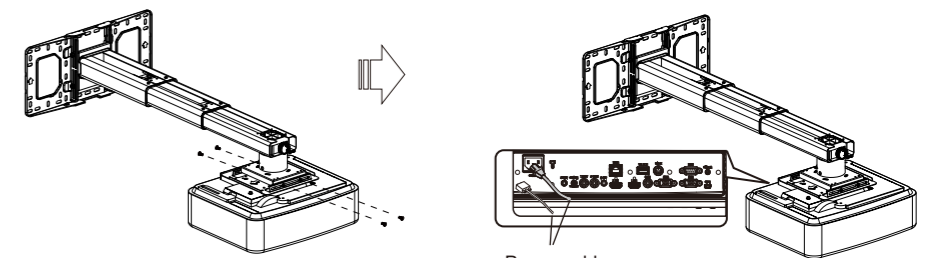
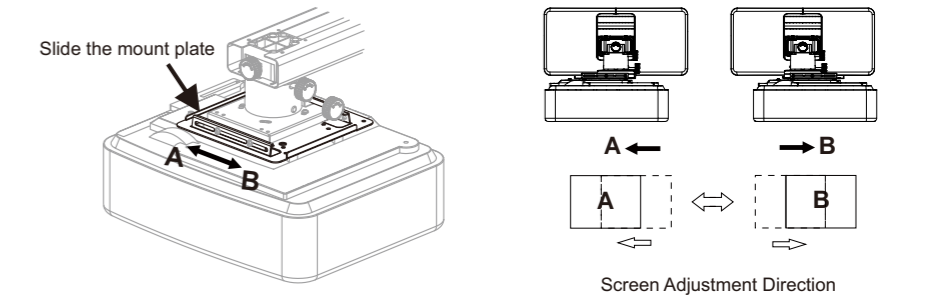
- Insert Screw F (M6x15) from the fixing kit, tighten with a L5 Allen Key from fixing kit.

### Step 3: Attach the projector to mount plate and to the mount



- Loosen the screw on the mount and pre-tighten the projector on the mount.

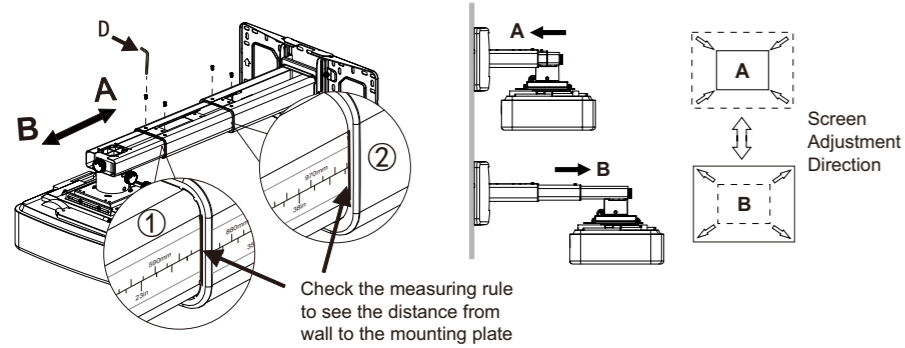
### Step 4: Adjusting the image horizontally



Tighten the screws

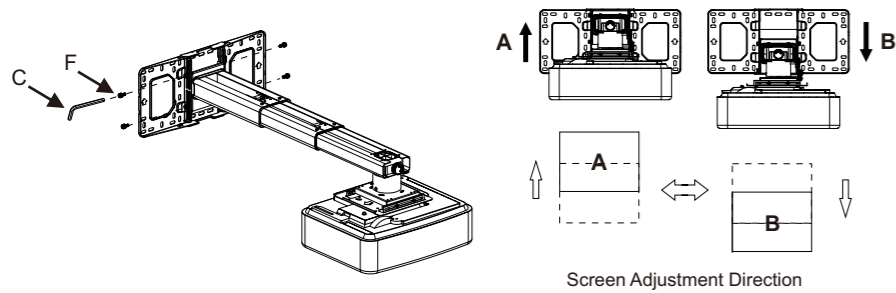
Power cable  
Signal cable  
Connect power cable and other signal cable to the projector

### Step 5: Adjusting the image size



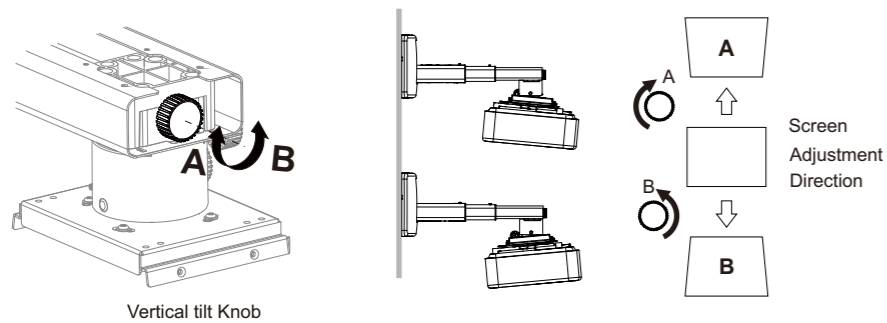
**Note:** To make adjustments to meet your demands, screws must be loosened in a specific order, as shown in the above Fig①, Fig②. (When the length of inside arm 895mm do not meet your demands, then you should loose the screws on the outside arm to adjust the middle arm. Under this circumstance, the number read on the middle arm is correct).

### Step 6: Adjusting the image height

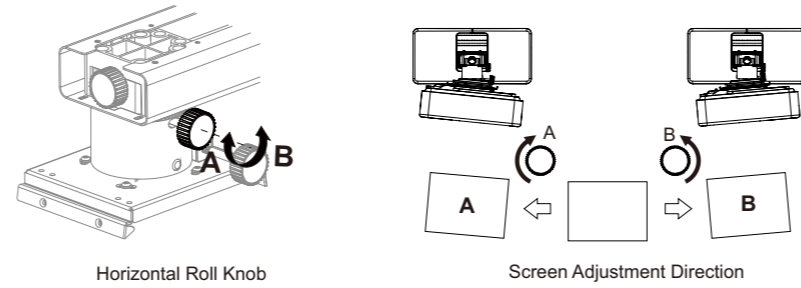


● Loosen the screws slightly to adjust the projector to the required position.

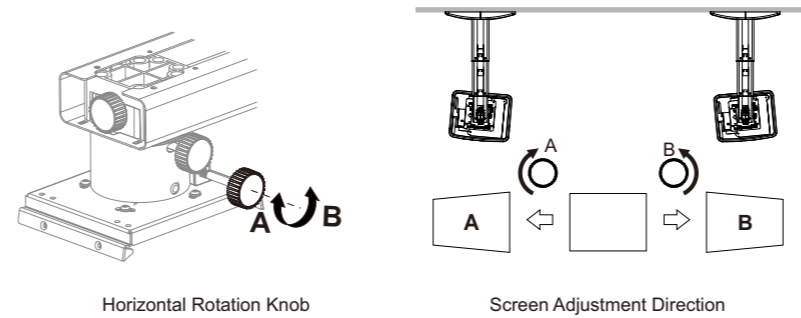
### Step 7: Adjusting the vertical tilt



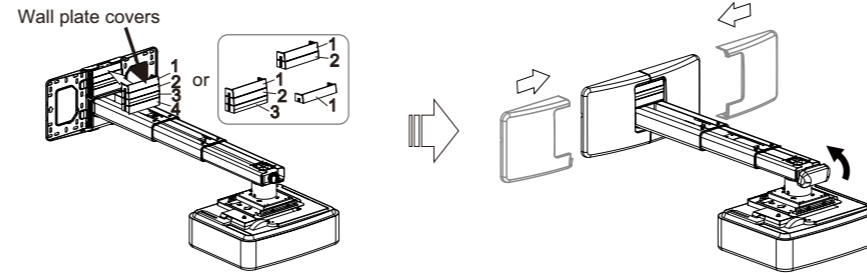
### Step 8: Adjusting the horizontal roll



### Step 9: Adjusting the horizontal rotation



### Step 10: Using the decorative covers



**Note:** When all adjustments are done, the wall plate covers can be used to cover the blank area on the top of wall plate. The number of wall plate cover used depends on the size of blank area. But the wall cover must be used in a specific order as the picture on left shows. Finally, put the wall cover on.

#### Product Information

Net Weight	15lb(6.8kg)
Weight Capacity	22lb(10.0kg)
Extendable Length	19-49in(495mm-1250mm)
Adjustment Angle	Vertical tilt, Horizontal roll, Horizontal rotation $\pm 5^\circ$

## OWM3000ST Short throw projector mount

