

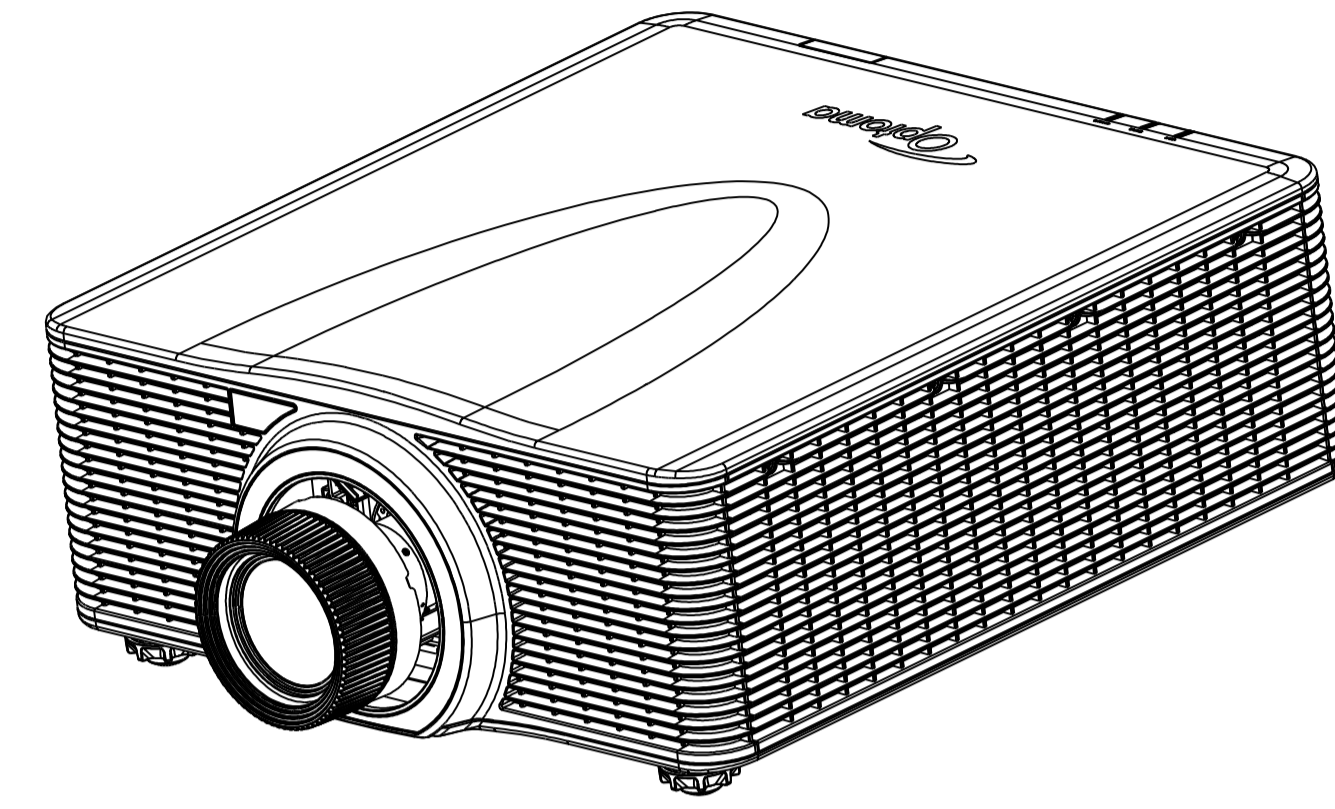
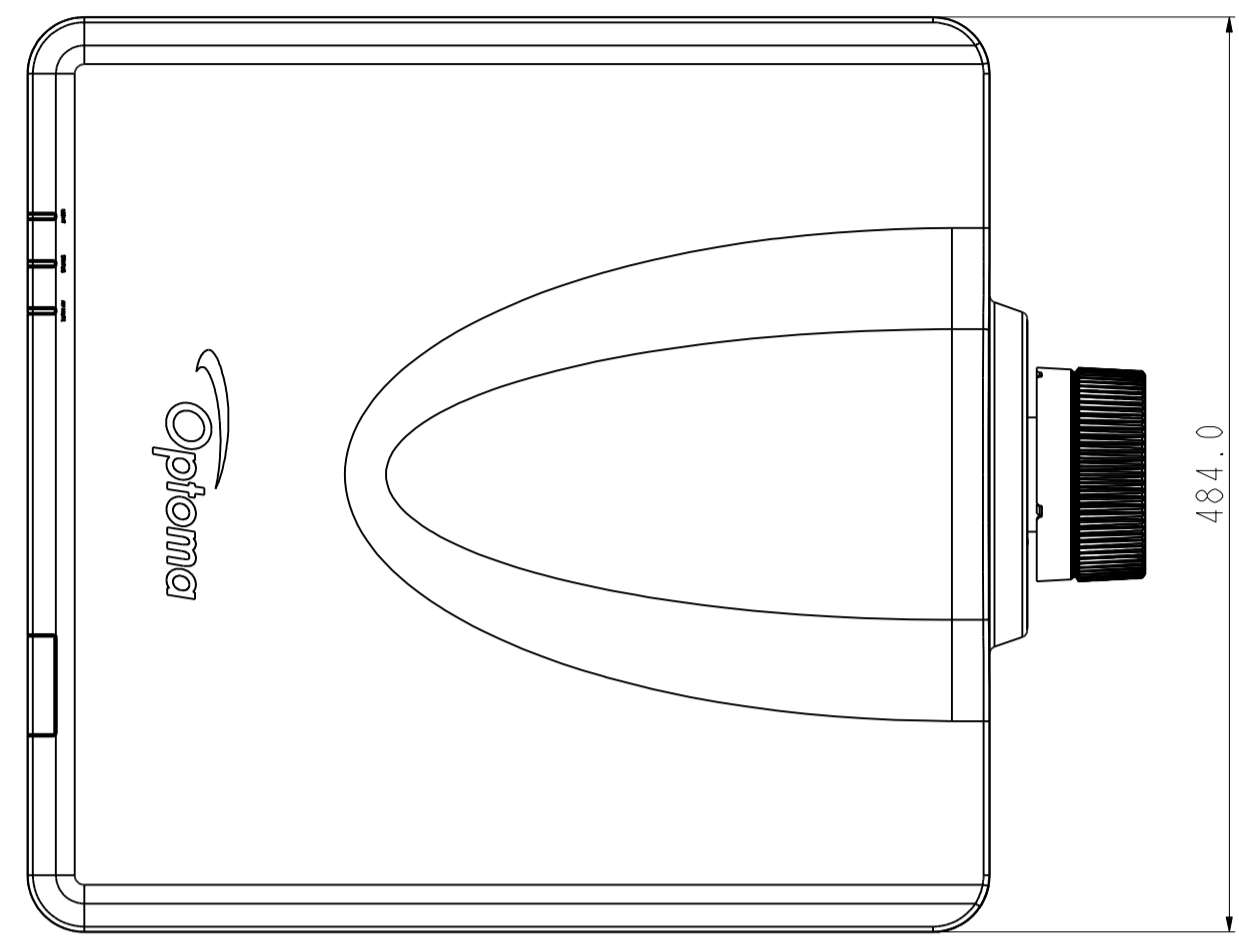
SCALE 0.250

SCALE 0.250

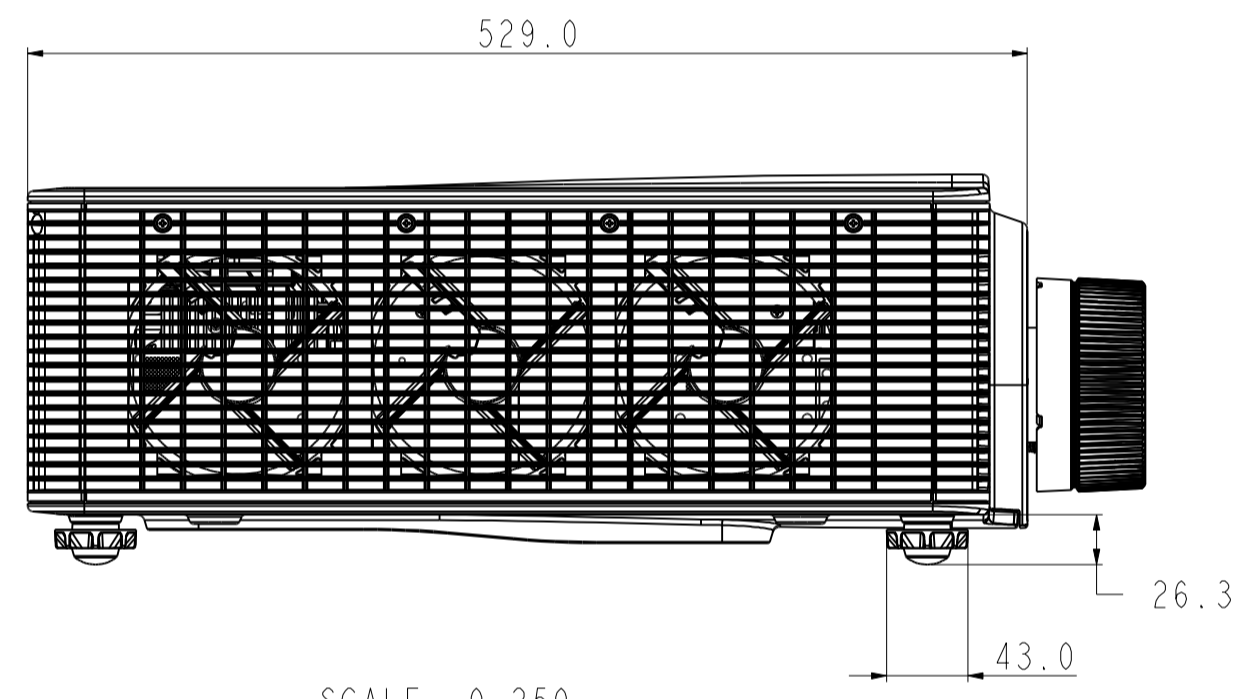
GENERAL NOTE
 MASS: 23.4 Kg NO LENS
 OPERATING TEMPERATURE RANGE:
 5°C-40°C @ 0-2500FT
 5°C-35°C @ 2500-5000FT
 5°C-30°C @ 5000-10000FT
 POWER INPUT
 100V-240V, 50HZ/60HZ, 10 A

LIMITS UNLESS OTHERWISE NOTED				DRAWN				Coretronic Corporation			
1-6	±0.1	300-1000	±0.8	ENG.	Chihhao Wang	20171208	NAME :				
6-30	±0.2	1000-2000	±1.2	CHK.	Sun Chen	20171208	UNIT OUTLINE INFORMATION				
30-100	±0.3	2000-	±2.0	APPD.	Sun Chen	20171208	TITLE	B35LS	PART NO.	Rev. A	SHEET
100-300	±0.5	ANGLE	±0.5	Rev.	Initiator	Date	DESCRIPTION	SCALE	UNIT	MATERIAL	FINISH
							ECR NO.	1:4	mm		

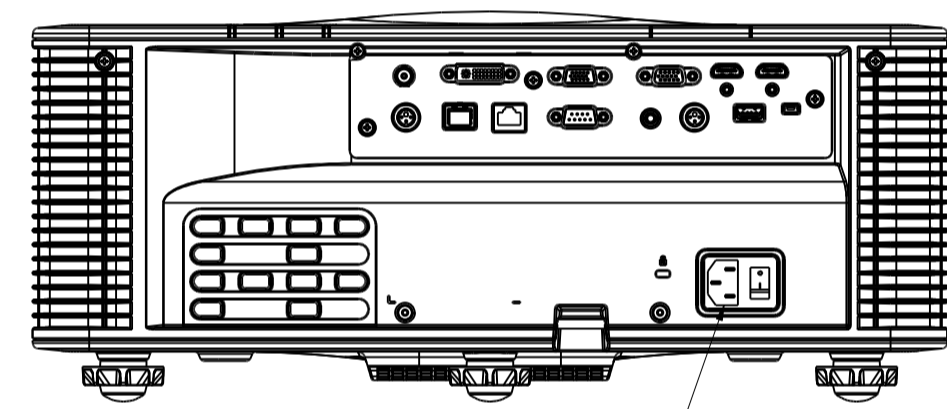
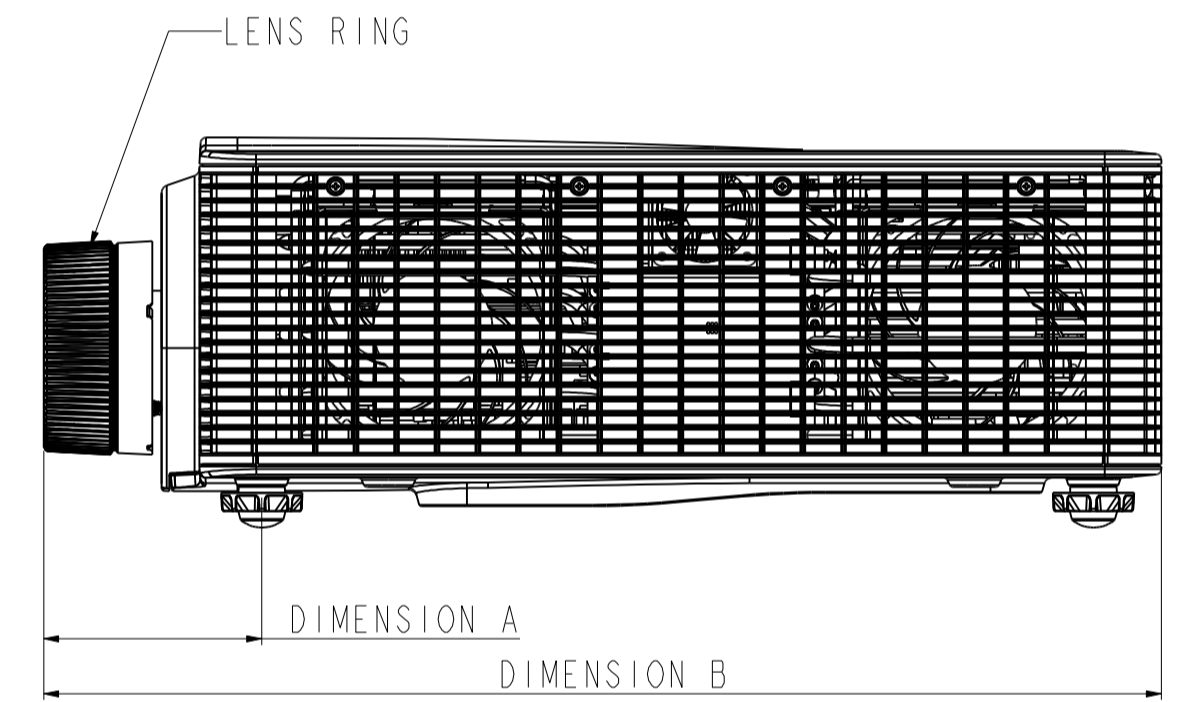
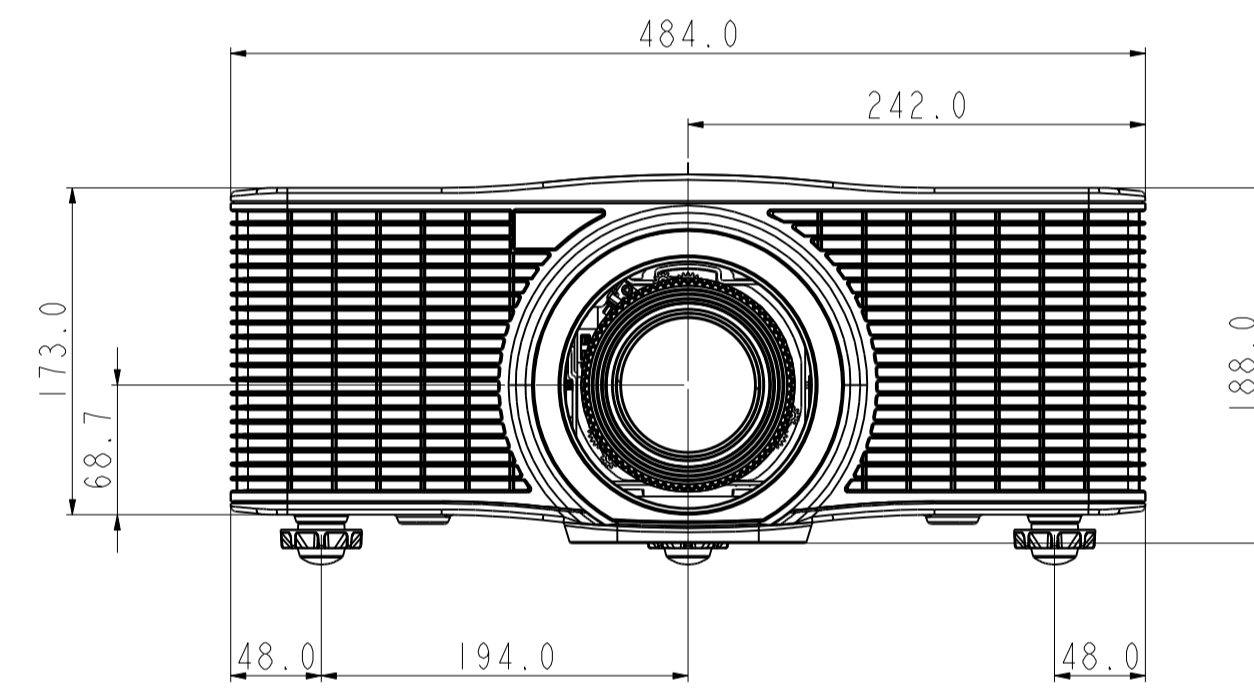
DESCRIPTION	DIMENSION A	DIMENSION B	LENS RING
Optional Lens(TR:0.36)	350.20	826.19	NA
Optional Lens(TR:0.75~0.95)	97.51	573.55	NA
Optional Lens(TR:0.95~1.22)	96.15	572.19	ZU650
Standard Lens(TR:1.22~1.52)	115.45	591.49	ZU850
Optional Lens(TR:1.52~2.92)	115.95	591.99	ZU650
Optional Lens(TR:2.90~5.50)	143.65	619.69	ZU650



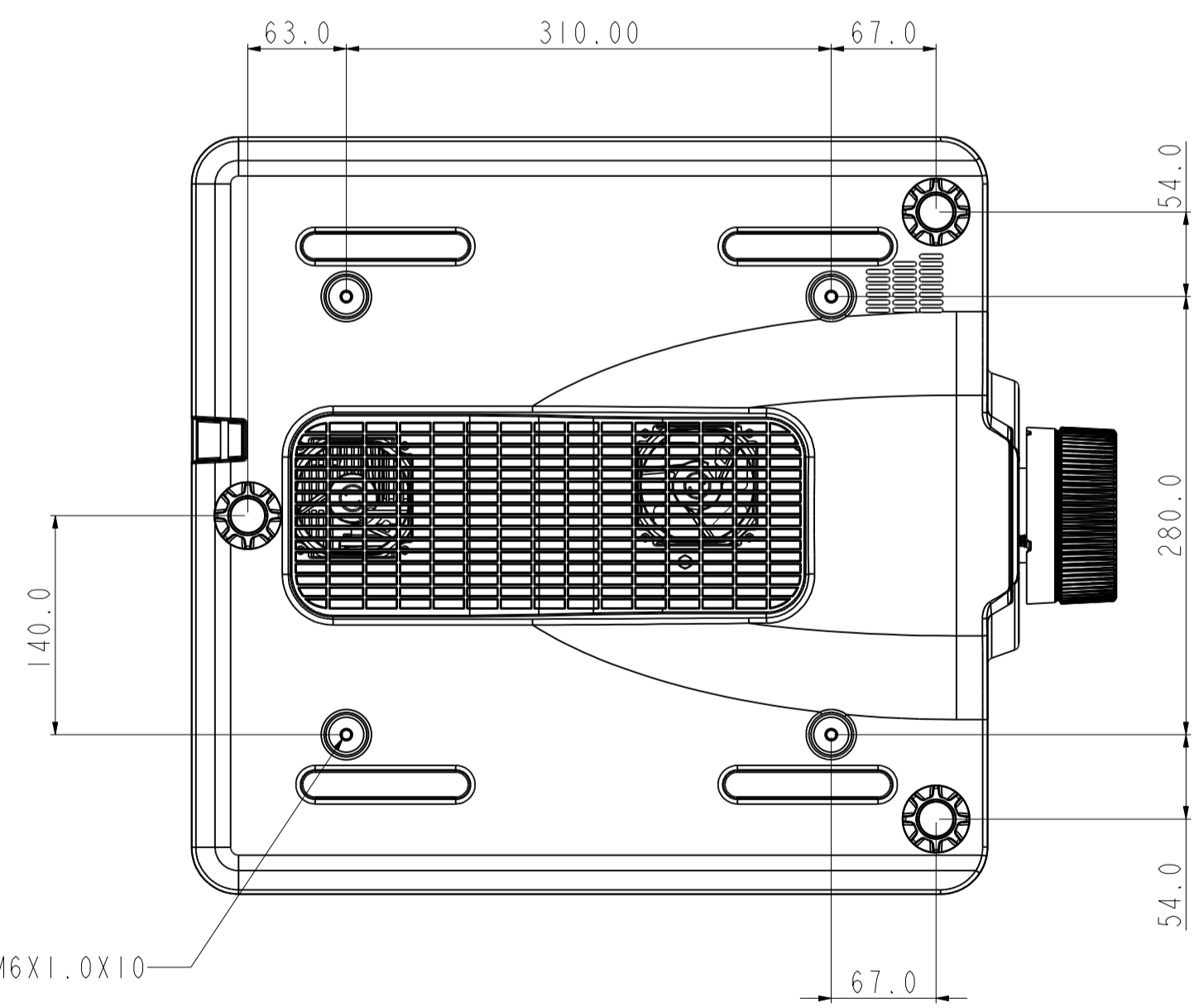
SCALE 0.250



SCALE 0.250



POWER CORD LOCATION

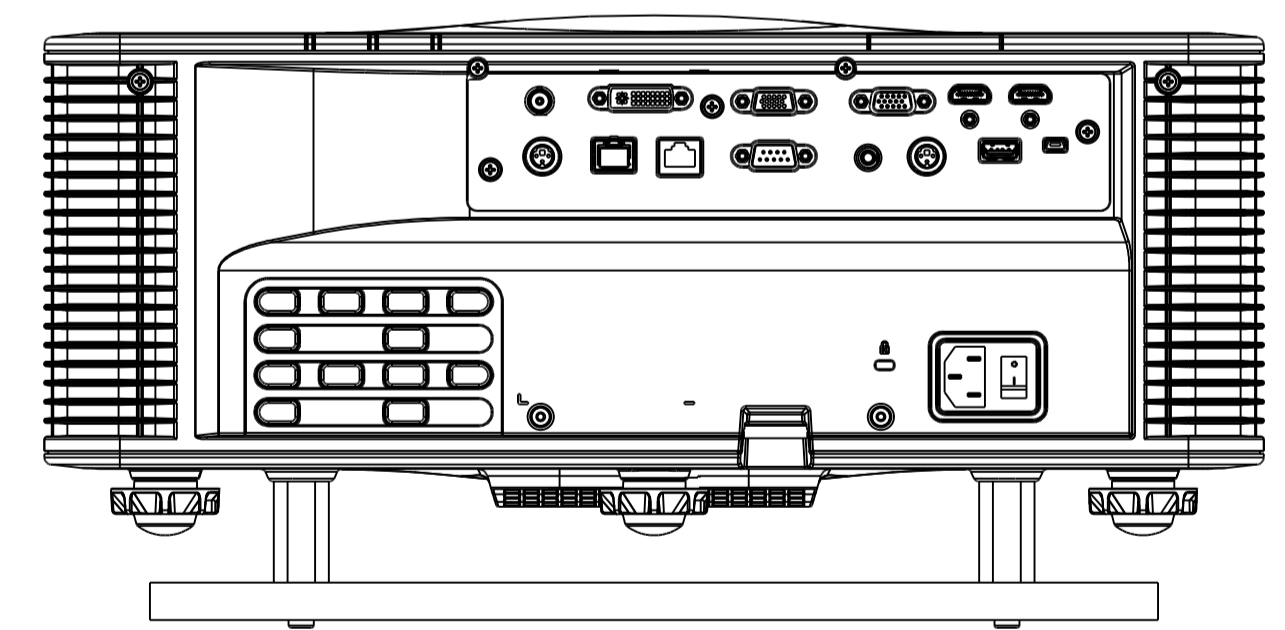
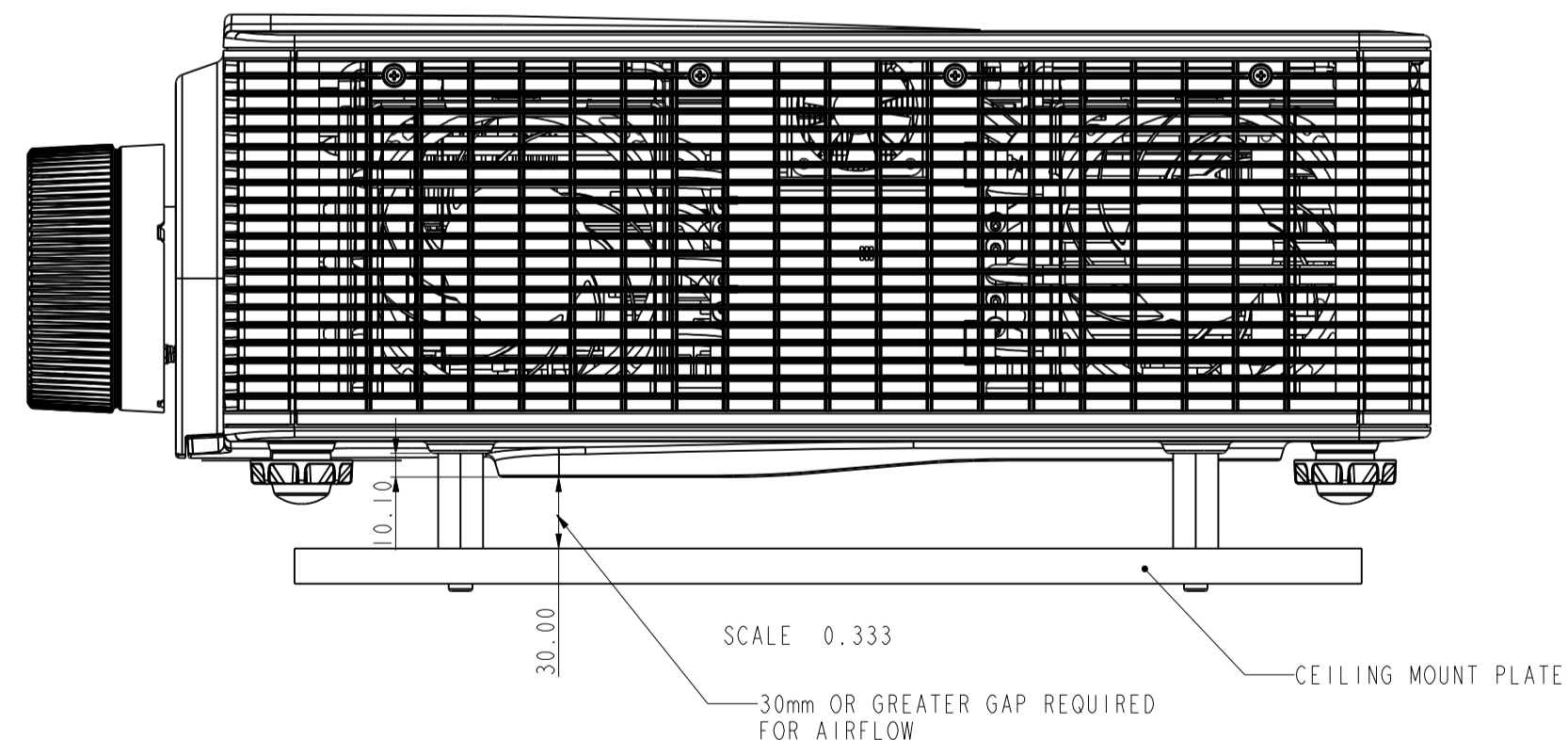
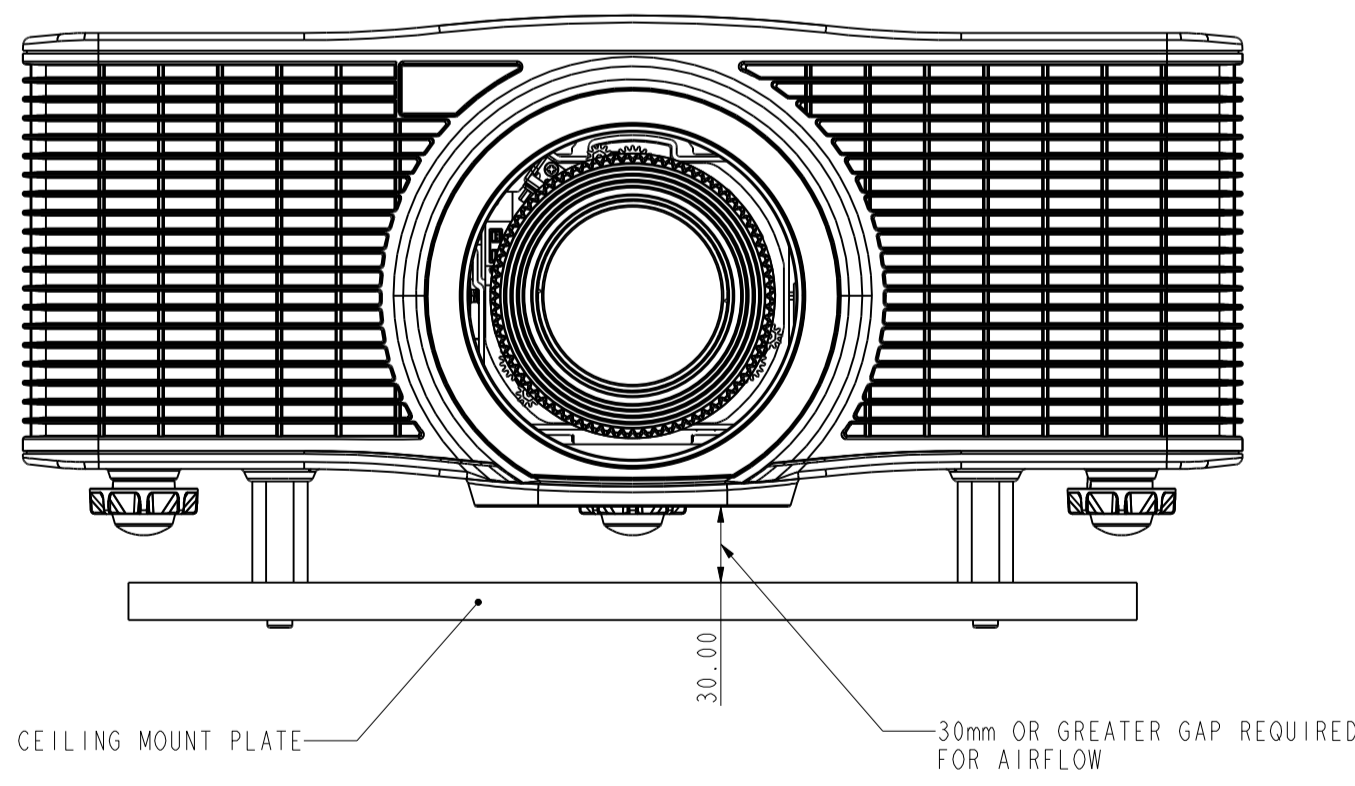
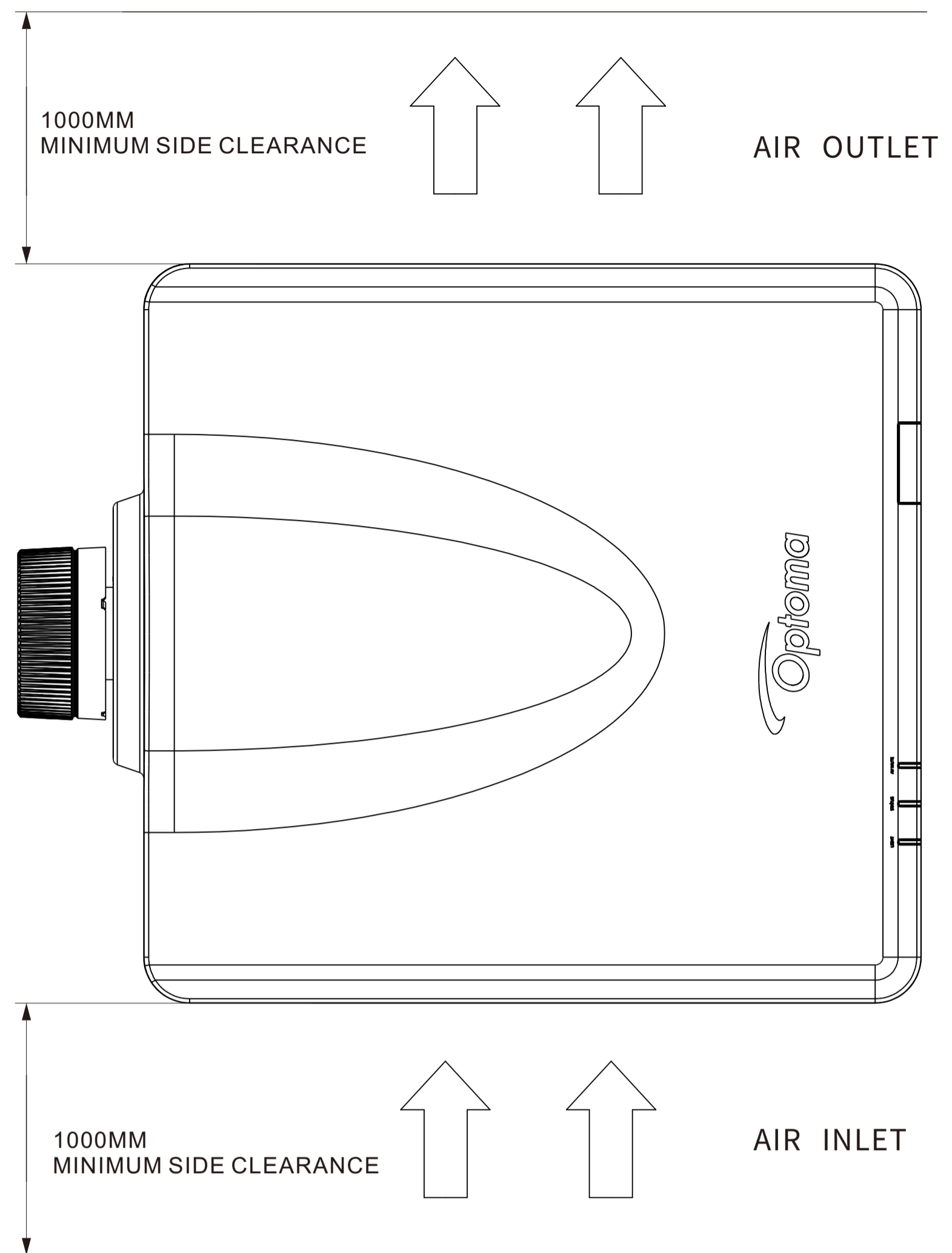


GENERAL NOTE

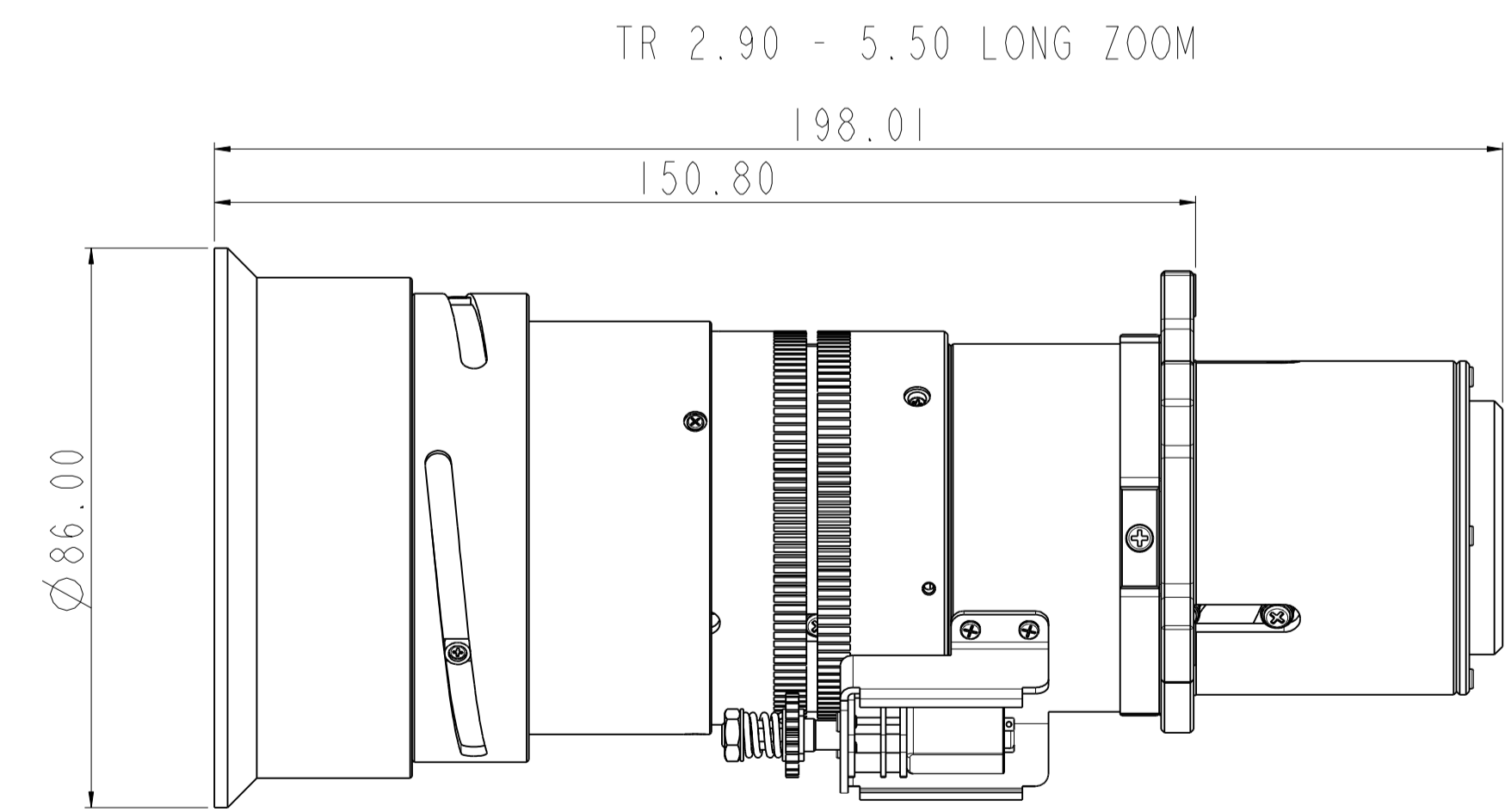
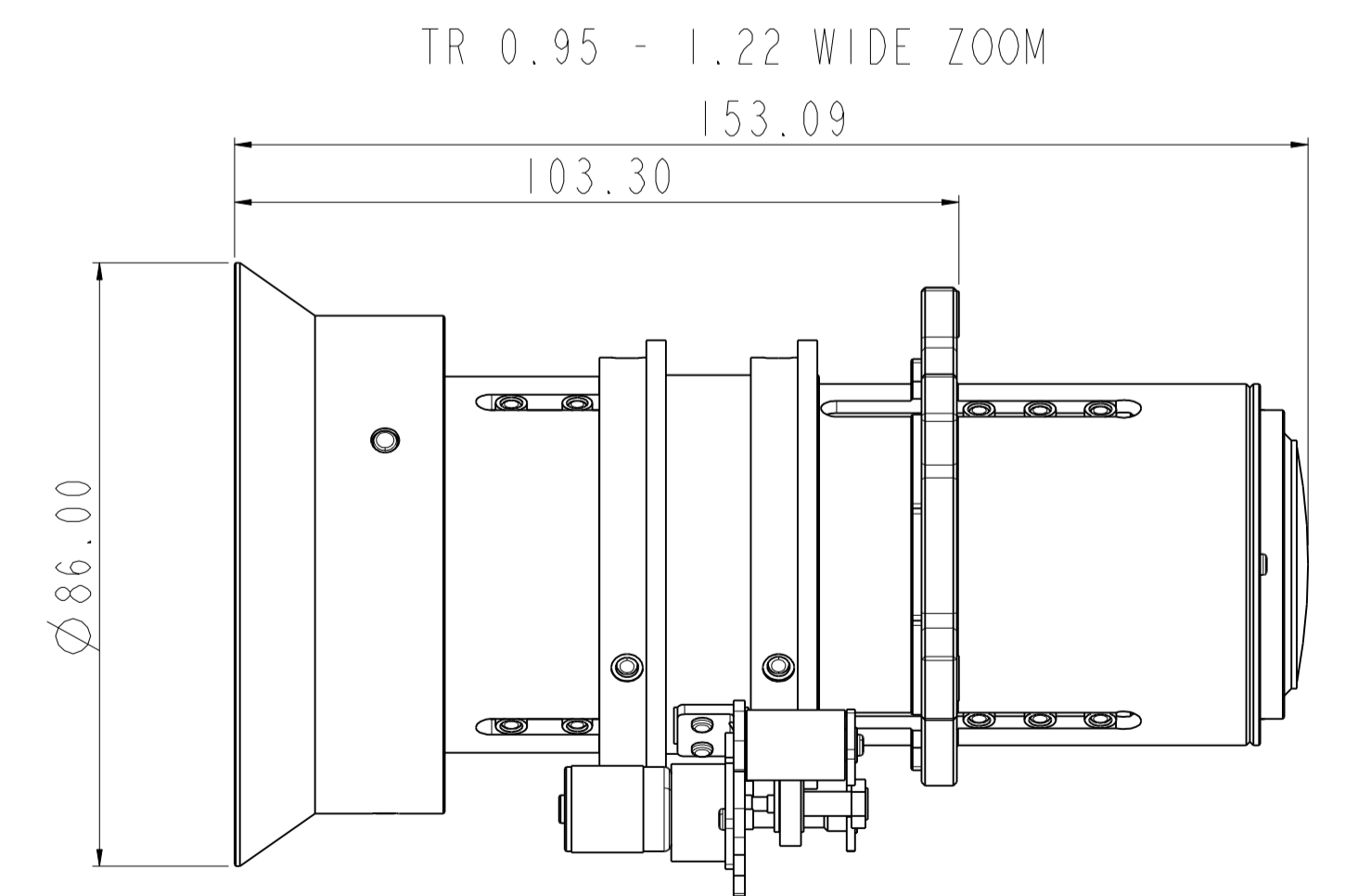
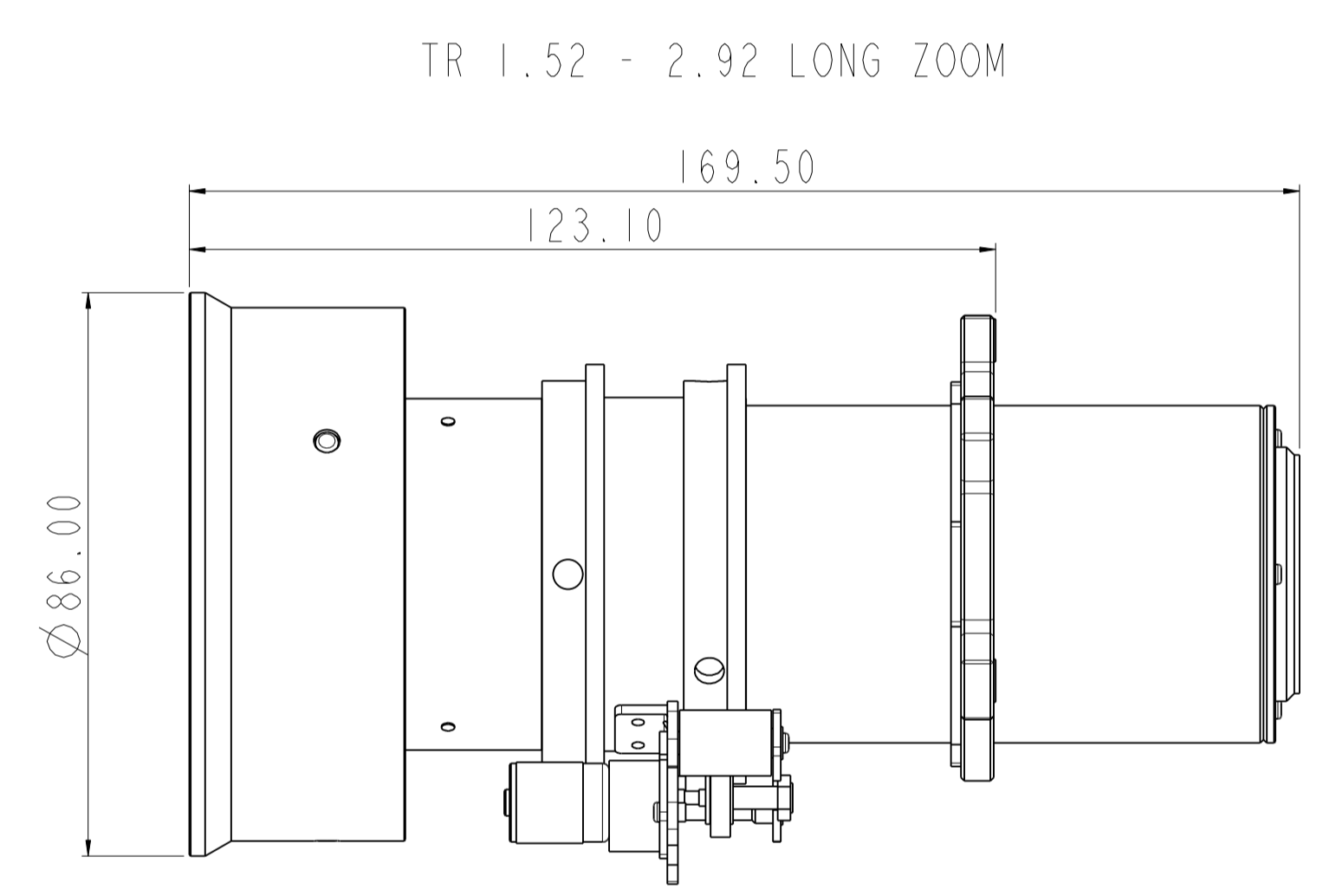
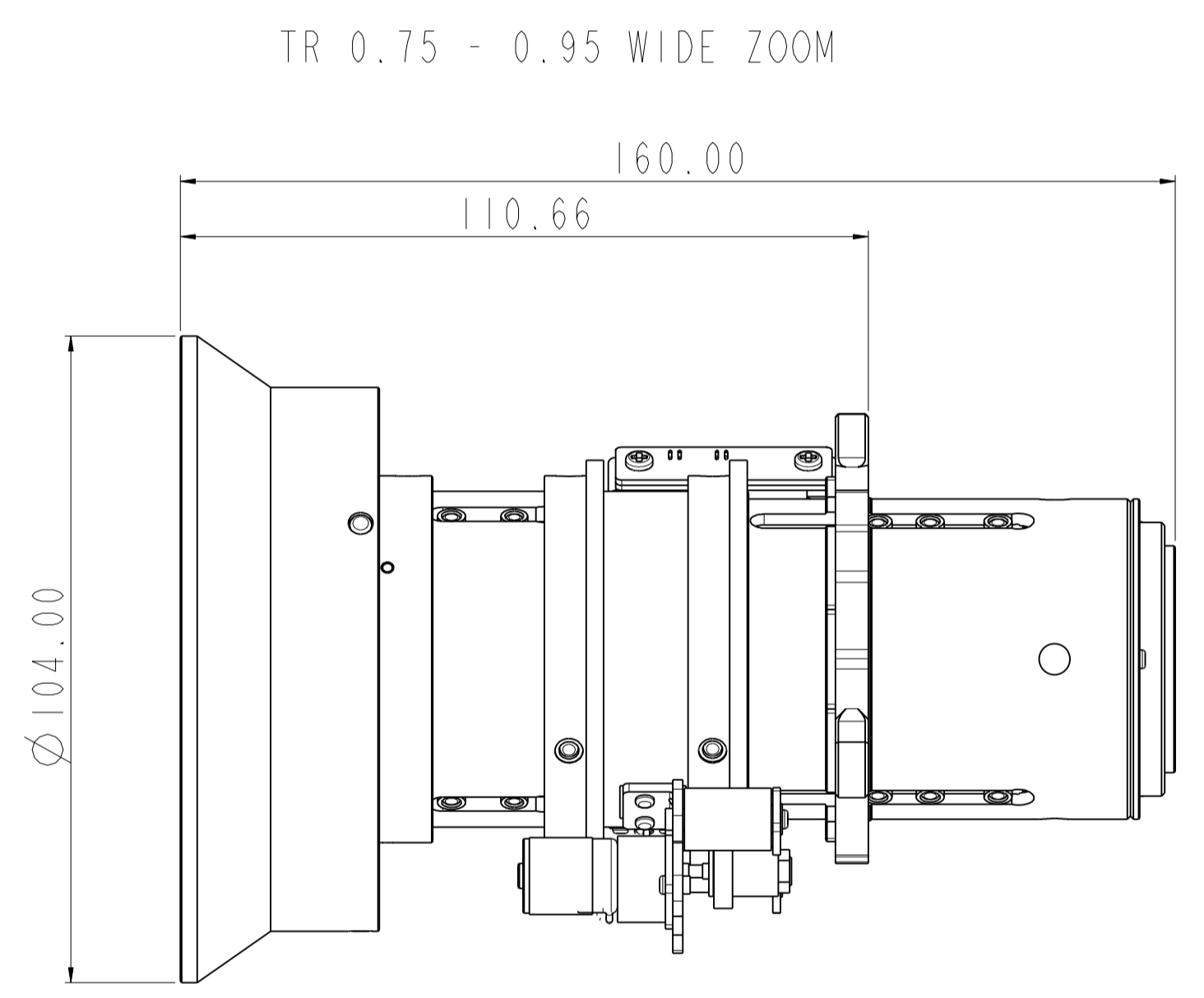
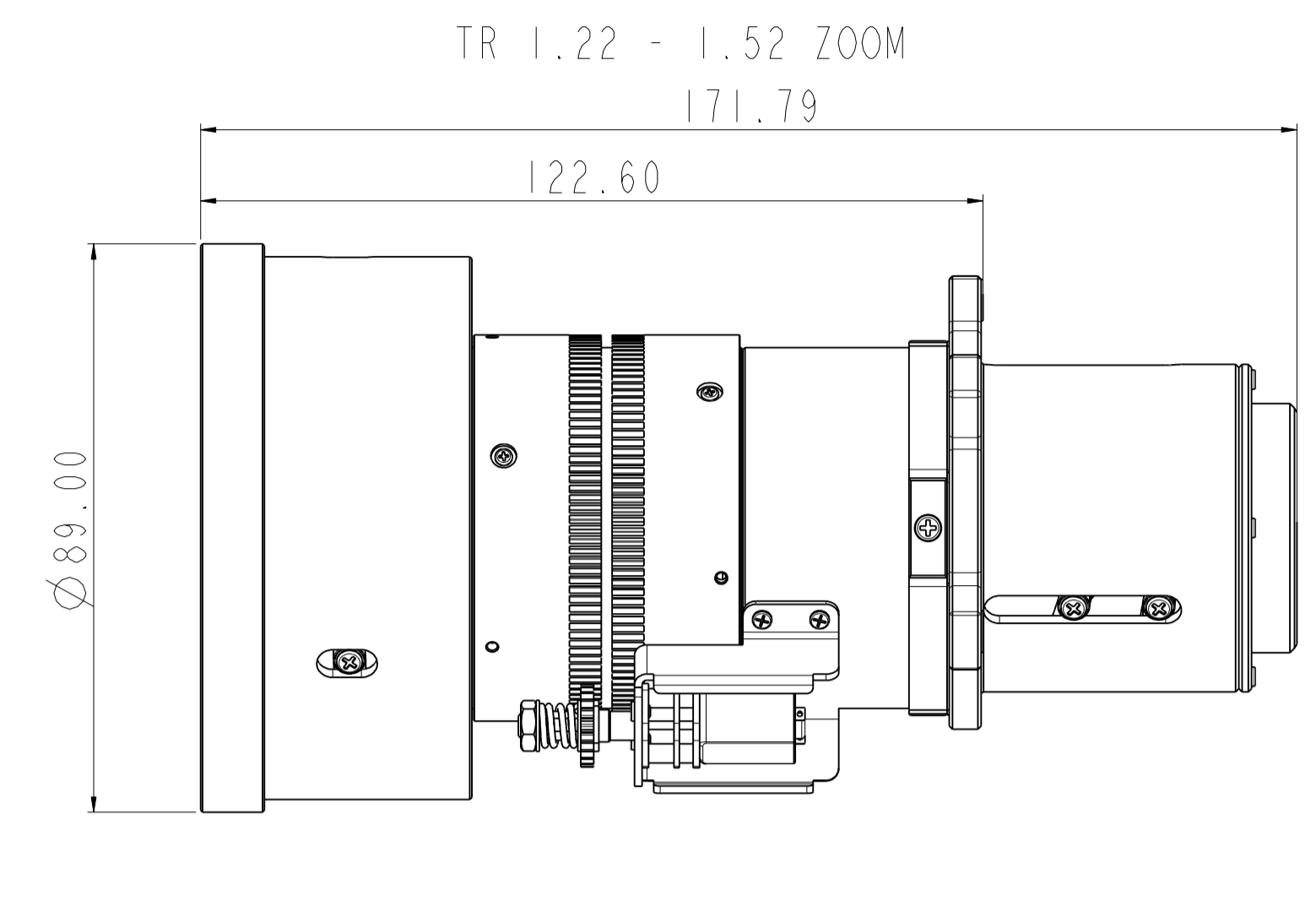
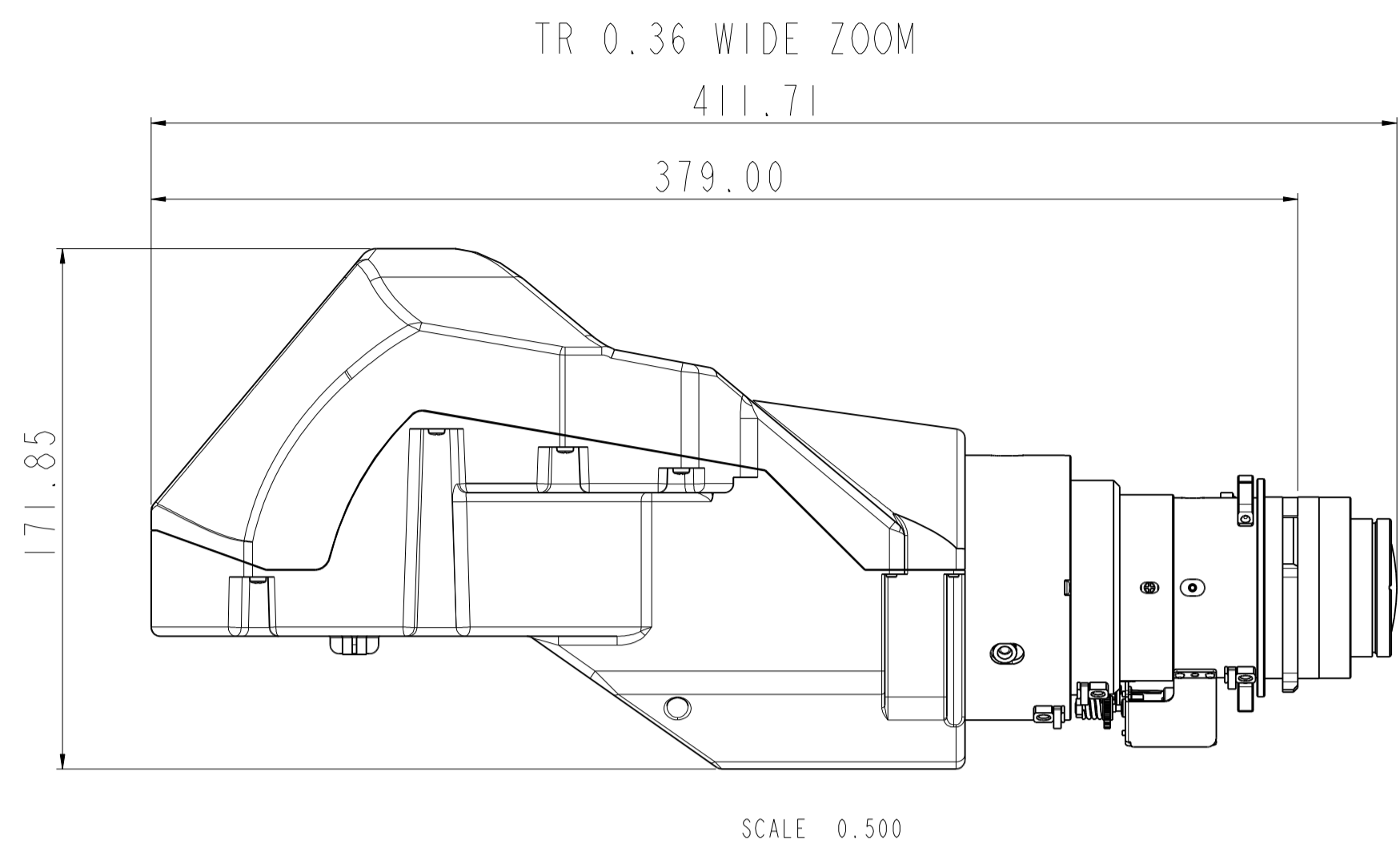
MASS: 23.4 Kg NO LENS
 OPERATING TEMPERATURE RANGE:
 5°C-40°C @ 0~2500FT
 5°C-35°C @ 2500~5000FT
 5°C-30°C @ 5000~10000FT

POWER INPUT
 100V-240V, 50HZ/60HZ, 10 A

Rev.	Initiator	Date	Description	ECR NO.	SCALE	UNIT	MATERIAL	FINISH	Part No.	Rev. A
A	Chihhao	20171208	FORMAL RELEASE	X	30-100	±0.3	2000-	±2.0	B35LS	Coretronic Corporation
					100-300	±0.5	ANGLE	±0.5		



				LIMITS UNLESS OTHERWISE NOTED		DRAWN Chihhao Wang 20170322		Coretronic Corporation	
				1-6	±0.1	300-1000	±0.0	NAME :	
				6-30	±0.2	1000-2000	±1.2	AIRFLOW MINIMUM GAP/CLEARANCE	
				30-100	±0.3	2000-	±2.0	TITLE B3SL5 PART NO.	
				100-300	±0.5	ANGLE	±0.5°	SCALE UNIT MATERIAL FINISH SHEET	
				1:3	mm			A I 3 OF 4	
Rev.	Initiator	Date	Description	ECR NO.					Rev. A
A	Chihhao	20170322	FORMAL RELEASE	X					



DESCRIPTION	GROSS WEIGHT	NET WEIGHT
Optional Lens A16(TR: 0.36)	NA	2.7 Kg
Optional Lens A15(TR: 0.75-0.95)	1.18 Kg	0.7 Kg
Optional Lens A01(TR: 0.95-1.22)	0.9 Kg	0.6 Kg
Standard Lens A06(TR: 1.22-1.52)	1.32 Kg	0.9 Kg
Optional Lens A03(TR: 1.52-2.92)	1.16 Kg	0.8 Kg
Optional Lens A13(TR: 2.90-5.50)	1.4 Kg	1.0 Kg

DRAWN: Chihhao Wang 20171212		ENG: Chihhao Wang 20171212		Coretronic Corporation	
CHK: Sun Chen 20171212		APPD: Sun Chen 20171212		TITLE: COMPATIBLE LENS	
A Chihhao 20171212		FORMAL RELEASE		PART NO.:	
Rev.	Initiator	Date	Description	ECR NO.	SCALE
					1:1
LIMITS UNLESS OTHERWISE NOTED:		30-100 ±0.3		2000- ±2.0	
1-6 ±0.1		1000-1000 ±0.6		100-300 ±0.5	
6-30 ±0.2		1000-2000 ±1.2		ANGLE ±0.5	
UNIT: mm		MATERIAL: B35L5		FINISH:	
SHEET: 4 OF 4		Rev. A		I AI	