

This zoom lens is designed for use with Panasonic's applicable projectors.

*Please use the lens only on the specified Panasonic projector.

Specifications

F value	1.75 ~ 2.17
Focal distance (f)	29.9 mm ~ 46.32 mm (1-3/16 ~ 1-13/16 inches)
Throw ratio	1.35~2.10:1 for PT-MZ16KL/MZ13KL/MZ10KL (16:10 aspect ratio) 1.35~2.10:1 for PT-MZ16KL/MZ13KL/MZ10KL (16:9 aspect ratio) 1.62~2.50:1 for PT-MZ16KL/MZ13KL/MZ10KL (4:3 aspect ratio)
Dimensions (W × H × D)	173 × 130 × 266.8 mm (6-13/16 × 5-1/8 × 10-1/2 inches)
Weight	3.7 kg (8.16 lbs)
Applicable projector	PT-MZ16KL/MZ13KL/MZ10KL

Dimensions

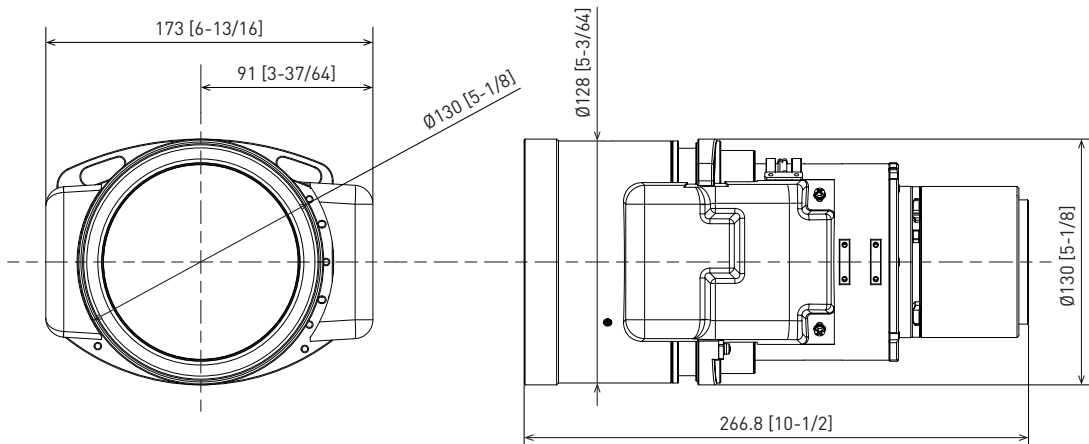
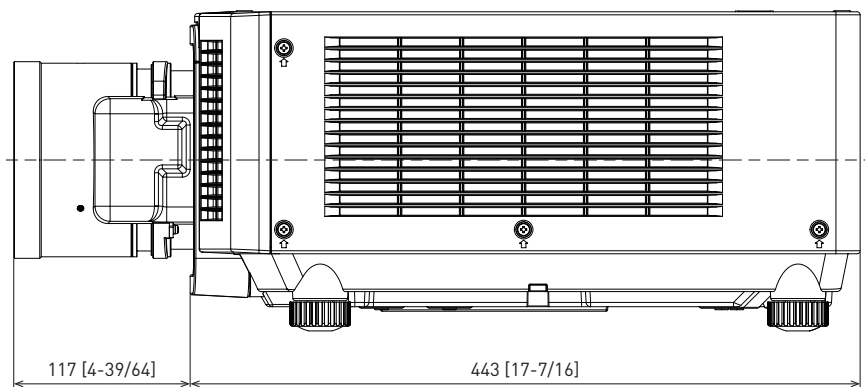


Figure attached to the [PT-MZ16KL/MZ13KL/MZ10KL] projector



unit : mm [inch]

This illustration is not drawn to scale.
Please read the projector's instruction manual for throw distances.
Weights and dimensions shown are approximate. Specifications subject to change without notice.