

MODEL

ET-PFD465

FRAME-EVO-P14 / P14-US
Mounting frame for projectors



The following projectors can be mounted in this frame:

LCD Projectors
PT-MZ16KL
PT-MZ13KL
PT-MZ10KL

These installation instructions must always be provided to the customer

Table of content

1. Preamble	3
1.1 FRAME-EVO-P14 / P14-US designation	3
1.2 Optional accessory designation	4
1.3 Tools required	5
2. Safety instructions	5
3. What's in the box?	11
4. Optional Accessories	12
5. Fitting the projectors in the frame	15
6. Removing the Upper Ring - Installation Version	17
7. Reinstalling the Upper Ring	19
8. Adjustment options	21
9. Stacking frames	23
10. Mounting the frame on a truss	24
11. Maximum stacking information	26
12. System maintenance and inspection (Re-examination)	32
13. Declaration of Conformity	35
14. Dimensions	36
14.1 FRAME-EVO-P14 / P14-US	36
14.2 FRAME-EVO-P14 / P14-US Installation Version - without the Upper Ring	37
Imprint	38

1. Preamble

Congratulations on your purchase of the **FRAME-EVO-P14 / P14-US** projector frame from EXACT solutions GmbH.

Please read very carefully the instructions provided in this manual. In the following pages you will find all the information needed for a safe and fast installation.

After the installation is done properly, you can enjoy all the features of your new product.

Please consider keeping the original box and packaging materials, in case you ever need to ship the frame.

Model number: FRAME-EVO-P14 / P14-US

Copyright © 2020 EXACT solutions GmbH. All rights reserved.

1.1 FRAME-EVO-P14 / P14-US designation

European market	Non-European market
Manufacturer m.no.: FRAME-EVO-P14 Panasonic EU m.no.: ET-RFD50	Manufacturer m.no.: FRAME-EVO-P14-US Panasonic USA m.no.: ET-PFD465

m.no. = model number

Note: In this manual, when reference is made to the manufacturer model number it is also automatically a reference to the Panasonic EU / USA model number like described in the table above

1.2 Optional accessory designation

European market	Non-European market
Manufacturer m.no.: FRAME-PF-UNI-PORAD Panasonic EU m.no.: ET-CLP-P	Manufacturer m.no.: FRAME-PF-UNI-PORAD Panasonic USA m.no.: - (non-USA product)
Manufacturer m.no.: FRAME-PF-UNI-CLP5030 Panasonic EU m.no.: ET-CLP50	Manufacturer m.no.: FRAME-PF-UNI-CLP5030 Panasonic USA m.no.: ET-PFD50CLAMP
Manufacturer m.no.: FRAME-PF-UNI-CLP30PT Panasonic EU m.no.: ET-CLP30	Manufacturer m.no.: FRAME-PF-UNI-CLP30PT Panasonic USA m.no.: ET-PFD30CLAMP
Manufacturer m.no.: EVO-LINK-200 Panasonic EU m.no.: TBD	Manufacturer m.no.: EVO-LINK-200-US Panasonic USA m.no.: ET-PFD065TMS2
Manufacturer m.no.: EVO-LINK-201 Panasonic EU m.no.: TBD	Manufacturer m.no.: EVO-LINK-201-US Panasonic USA m.no.: ET-PFD165TMS2
Manufacturer m.no.: EVO-LINK-210 Panasonic EU m.no.: TBD	Manufacturer m.no.: EVO-LINK-210-US Panasonic USA m.no.: ET-PFD265TMCX2
Manufacturer m.no.: EVO-LINK-211 Panasonic EU m.no.: TBD	Manufacturer m.no.: EVO-LINK-211-US Panasonic USA m.no.: ET-PFD365TMCX2

m.no. = model number

Note: In this manual, when reference is made to the manufacturer model number it is also automatically a reference to the Panasonic EU / USA model number like described in the table above.

1.3 Tools required

The only tool required is a 4 mm hex key to mount the projector in the FRAME-EVO-P14 / P14-US.



4 mm hex key (Allen key)

2. Safety instructions

These installation instructions must always be handed over to the installing person.¹

Read these instructions carefully before installing the system.

INTENDED USE

The FRAME-EVO-P14 / P14-US frame is intended for use by fully qualified, trained and competent persons to provide safe and secure transportation, installation and adjustment of projectors.

Only use the frame with projector in a closed environment (conference rooms, theatres, convention halls, etc.) where there is no wind, moisture, excessive heat etc.

Make sure that only the corresponding projectors are installed in this frame! Do not try to use it with other projectors because serious accidents can occur!

¹ Only a qualified person should install this product

WARNINGS

Installation work should only be carried out by a qualified technician.

- If this product is not installed correctly, serious accidents may result.

Do not use the FRAME-EVO-P14 / P14-US frame outdoors.

- This product is made only for indoor usage. If the FRAME-EVO-P14 / P14-US frame is mounted outdoor, there are many influences like wind or rain that can have an effect on the stability of the whole system. This can cause serious accidents and property damage.

Do not place the frame on top of unstable surfaces.

- If the frame is placed on top of a surface which is sloped or unstable, it may fall down or tip over and injury or damage could result. Make sure that the surface can support a load of 130 kg (286.601 lbs)² plus the weight of all additional equipment as well as other potential systems.

Do not hang the frame from unstable or inappropriate structures.

- If the frame is hung on an unstable structure, the entire system can fall down and injuries may occur. Make sure that the construction can support a total weight of 130 kg (286.601 lbs) plus the weight of all additional equipment as well as other potential systems.

Make sure to not exceed max. weight loads for ceiling mounting.

- For suspended installations, use only designated hanging accessories, like EVO-LINK-200 series, FRAME-PF-UNI-PORAD Portrait Adapter and FRAME-PF-UNI-CLP5030, FRAME-PF-UNI-CLP30PT rigging clamps for a max. weight load of 130 kg (286.601 lbs). Please refer to the corresponding instructions for the accessories used. Please also refer to chapter "4. Optional Accessories" and "11. Maximum stacking information".

² 130 kg (286.601 lbs) = 3 x (weight of heaviest projector + weight of heaviest lens + weight of FRAME-EVO-P14 / P14-US)

For stacking, make sure that all four locking pins pass completely through the female stacking bolt.

- Make sure the four male bolts enter into the correspondent female bolts and are locked.

Do not install the FRAME-EVO-P14 / P14-US or the projector while people are present under the mounting zone during the installation process.

- When installing the projector, make sure no one is in the area underneath the installation zone.

Always secure the frame to the rigging truss with a safety steel cable.

- The frame should always be secured with an appropriate safety steel cable so that in case of a malfunction it doesn't fall more than 5 cm. Please consult the local laws or regulations regarding the additional safety of hanging equipment.

CAUTION

Before installing the projector in the FRAME-EVO-P14 / P14-US frame, please read the projector's user manual. When the projector has a lens attached, please remove it.

- The FRAME-EVO-P14 / P14-US frame with the projector inside must be installed only in an environment that is recommended by the projector manufacturer.

Minimum two persons are required to install the FRAME-EVO-P14 / P14-US frame.

- With regard to the overall weight of all necessary installation devices, make sure to handle those with at least two people.

Make sure that the structure from which you hang up to 3 FRAME-EVO-P14 / P14-US frames including projectors is capable of carrying the overall weight of approx. 130 kg (286.601 lbs) plus the weight of all additional equipment as well as other potential systems.

- Prior to any installation, you must do a visual inspection to make sure that the system is in a good condition. For more information please refer to chapter "12. System maintenance and inspection (Re-examination)".

RISK SITUATIONS

Risk of injury due to the possibility of falling objects during the assembly or disassembly of the FRAME-EVO-P14 / P14-US frame.

- Protection objective: avoid injury from falling parts.
- Wear appropriate safety shoes, gloves and helmet.
- Make sure the area is clear under the frame during installation.

Risk of hitting the head with the FRAME-EVO-P14 / P14-US frame during the hanging set up process.

- Protection objective: avoid injury from hitting the head.
- Wear a helmet.

Incorrect installation may lead to certain parts of the FRAME-EVO-P14 / P14-US frame or the entire FRAME-EVO-P14 / P14-US frame to fall down.

- Protection objective: prevent personal injury and property damage.
- Double check the FRAME-EVO-P14 / P14-US frame and its installation.

Insufficient load capacity of the supporting structure may lead to certain parts of the FRAME-EVO-P14 / P14-US frame or the entire FRAME-EVO-P14 / P14-US frame to fall down.

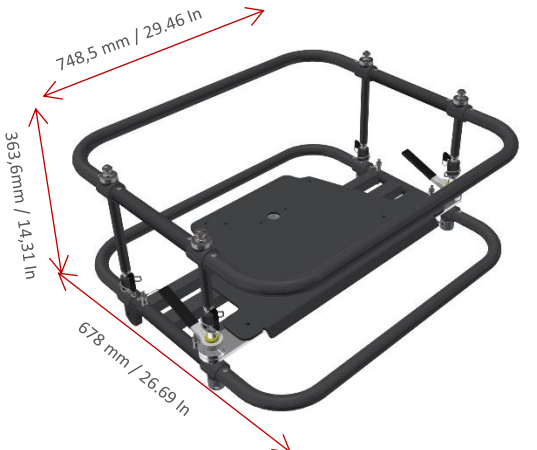
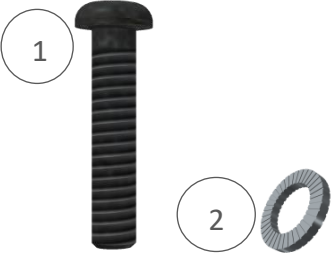

- Protection objective: prevent personal injury and property damage.
- Provide adequate dimensioning of the supporting structure. The supporting structure must be able to support the combined weight of all the equipment attached to, or hung from it.
- Ensure correct installation of the supporting structure.

The fingers or the hand of the user can be caught between the outer rings and the plates or projector.

- Protection objective: Prevent personal injury by using safety gloves.
- When the adjustment of the image is made, the user must always keep his hands on the hand levers (see picture below).
- Because the spring of the spring clip is strong, please be careful not to clamp your fingers between the spring and the attachment nut.



3. What's in the box?




	<p>FRAME-EVO-P14 / P14-US</p> <ul style="list-style-type: none">• Used for projector installation• Number of units: 1• Weight: 14,5 kg / 37.97 lbs
	<ol style="list-style-type: none">1) 7 x M6x20 ISO 7380 screws (galvanized steel 10.9)2) 7 x Ø6 Schnorr Washer <p>Used to secure the projector in the frame</p>
	<p>User manual and installation guide for FRAME-EVO-P14 / P14-US</p>


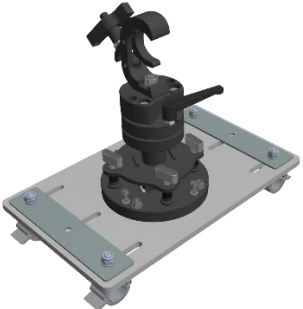
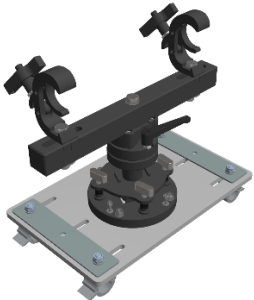
Make sure your box contains everything you ordered. If any pieces are missing, contact the vendor.

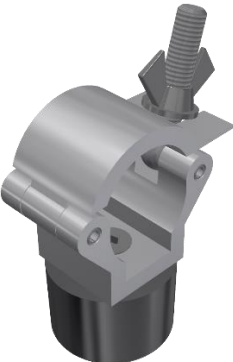
4. Optional Accessories

Please refer to “1.1 FRAME-EVO-P14 / P14-US designation” to assign the Panasonic EU and USA model numbers to the model numbers below.

Please refer to chapter “10. Mounting the frame on a truss” and the following for information regarding the usability of the optional accessories.

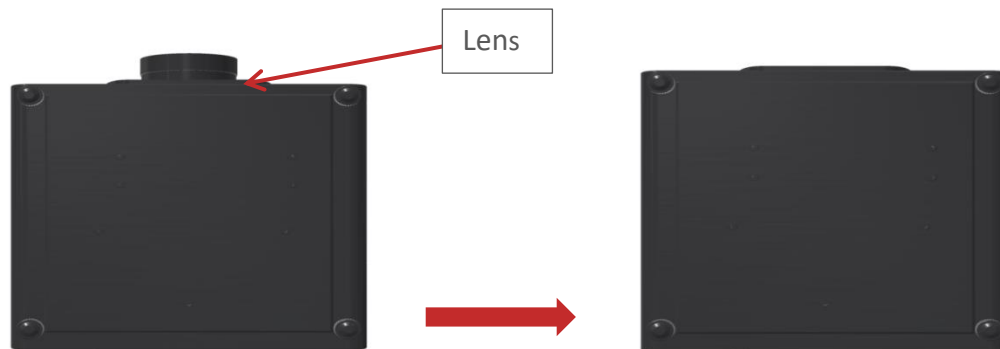
 A black metal truss mount accessory with a circular base and a vertical arm.	<p>EVO-LINK-200 Optional accessory for truss mount installations.</p> <p><i>More information can be found in the EVO-LINK-200 series installation manual.</i></p>
 A black metal truss mount accessory with a circular base and a vertical arm, similar to EVO-LINK-200 but with additional mounting points.	<p>EVO-LINK-201 Optional accessory for truss mount installations.</p> <p><i>More information can be found in the EVO-LINK-200 series installation manual.</i></p>
 A black metal truss mount accessory with a circular base and a horizontal arm.	<p>EVO-LINK-210 Optional accessory for truss mount installations.</p> <p><i>More information can be found in the EVO-LINK-200 series installation manual.</i></p>

	<p>EVO-LINK-211 Optional accessory for truss mount installations.</p> <p><i>More information can be found in the EVO-LINK-200 series installation manual.</i></p>
	<p>FRAME-PF-UNI-PORAD Portrait Adapter for Projector Frames</p> <p>Optional accessory for portrait mode truss mount installations.</p> <p>Does not include the EVO-LINK-200 series</p>
	<p><i>More information can be found in the FRAME-PF-UNI-PORAD installation manual.</i></p>

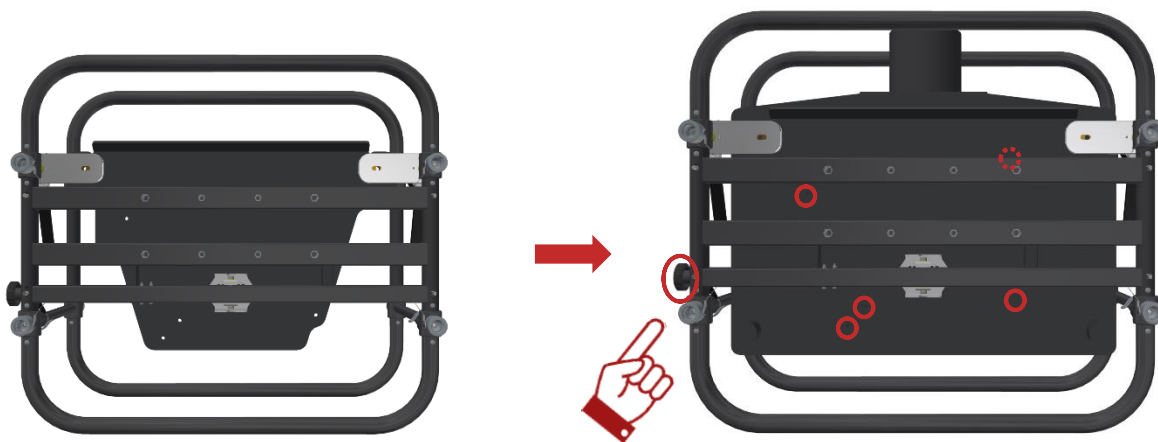
 A 3D rendering of a C-shaped metal clamp with a threaded rod and nut on top, and a mounting bracket on the bottom.	<p>FRAME-PF-UNI-CLP5030</p> <p>Optional accessory for hanging one FRAME-EVO-P14 / P14-US or two in tandem mode on a truss.</p> <p>FRAME-PF-UNI-CLP5030 represents a complete set of 4 pieces.</p>
 A 3D rendering of a metal clamp with a threaded rod and nut on top, and a mounting bracket on the bottom, similar to the one above but with a different shape.	<p>FRAME-PF-UNI-CLP30PT</p> <p>Optional accessory for portrait mode table installation.</p> <p>FRAME-PF-UNI-CLP30PT represents a complete set of 4 pieces.</p>

The optional accessories must be **purchased separately**. They are not included in the standard package!

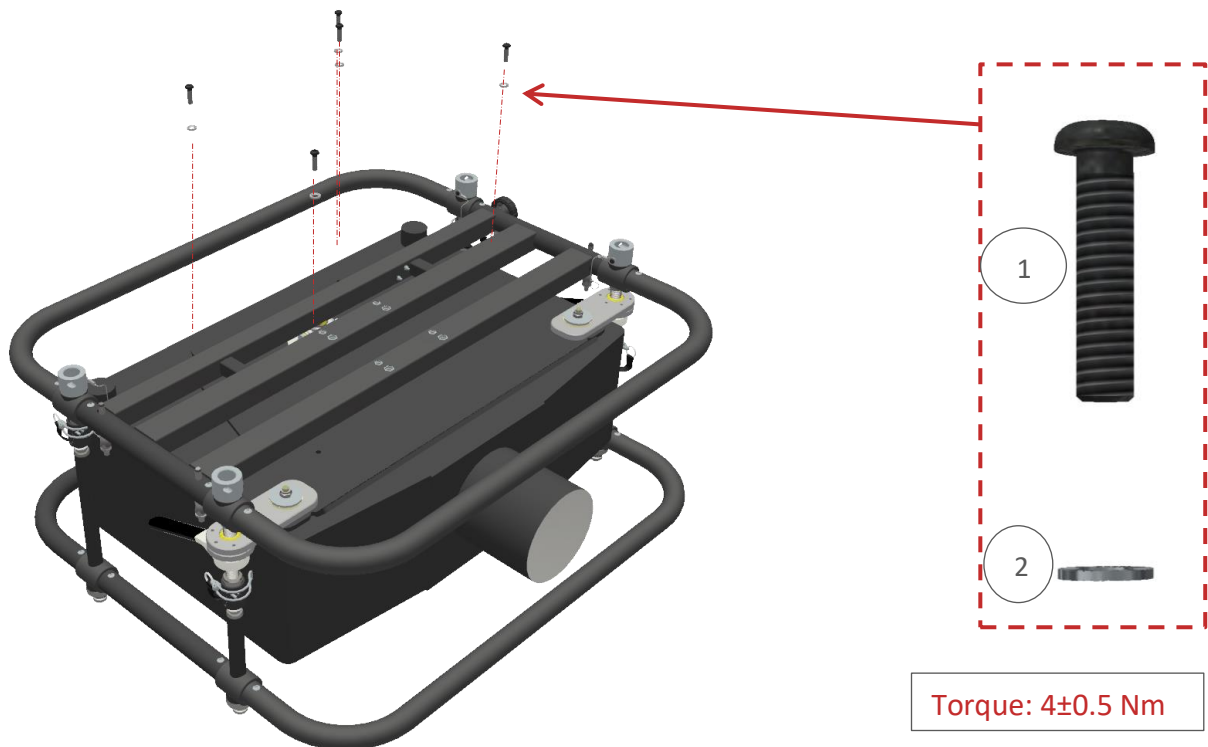
5. Fitting the projectors in the frame



Step 1: Place the projector upside down on a suitable flat surface then remove the lens (if it is pre-installed). For easier access you may first remove the upper ring before mounting the projector. Please refer to chapter “6. Removing the Upper Ring - Installation Version”. Otherwise it is recommended to place an appropriate material underneath the projector so that it is lifted up for about 10 cm. This will help during the following process.



Step 2: Position the frame over the projector so that the adjustment screw is at the back, aligning the M6 screw holes. Please put the projector in the right position so that the front/back position is correct when installing. Otherwise the position of the holes will not match.



Step 3: Place the recommended number of **Ø6 Schnorr Washers (2)** over each corresponding hole. Secure the recommended number of **M6x20 ISO 7380 screws (1)** into each hole with 4 Nm torque. Ensure each screw runs through the plate and catches into the corresponding M6 hole in the projector surface. Please make sure to use only the correspondent screw holes when installing a projector!

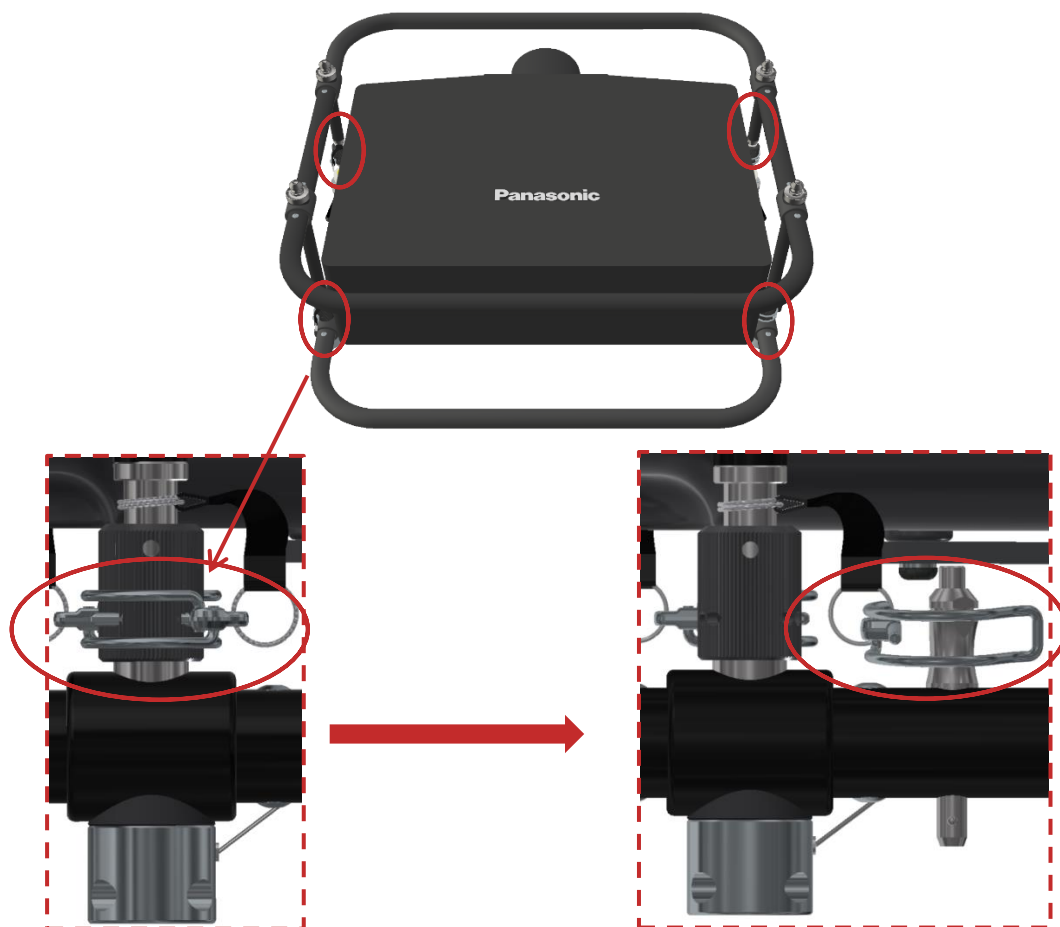
Do not forget to use the Ø6 Schnorr Washers (2) as they are preventing the screws to loose themselves!

In case you removed the upper ring during Step 1 please now refer to chapter “7. Reinstalling the Upper Ring” and attach the upper ring back to the base.

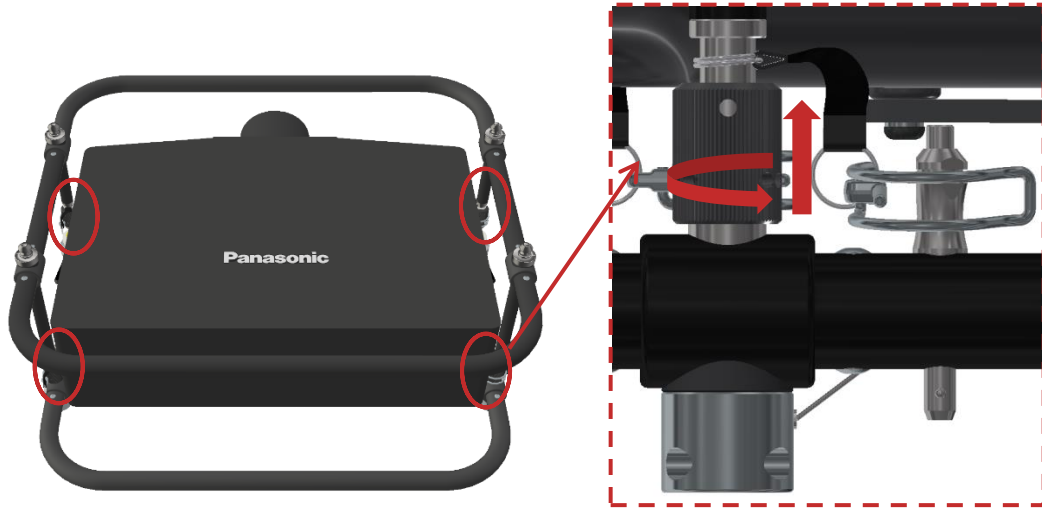
Step 4: The lens can be attached back to the projector.

6. Removing the Upper Ring - Installation Version

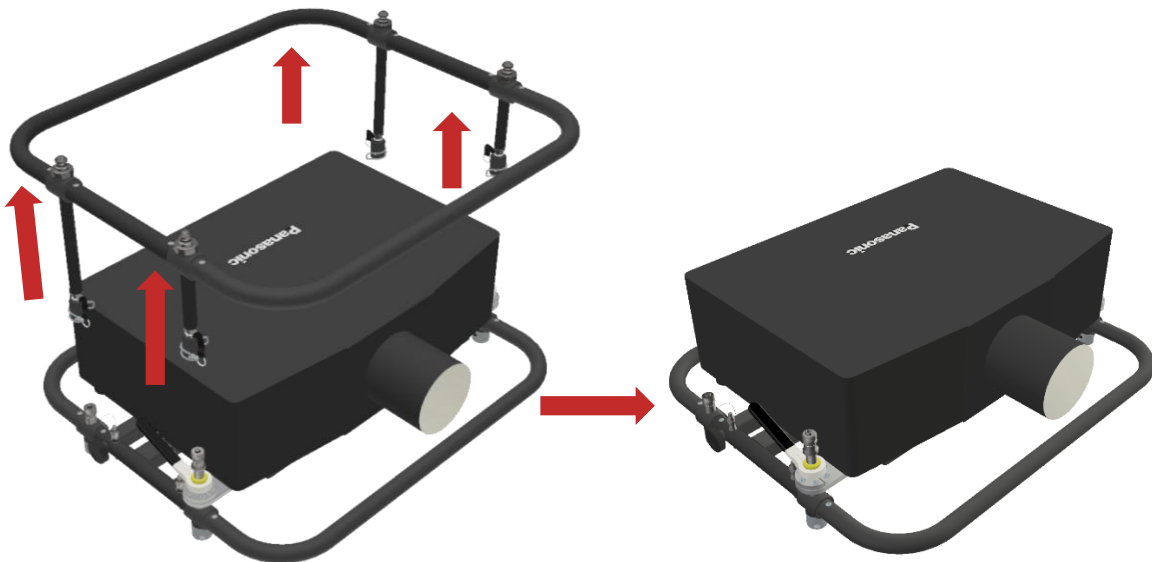
The purpose of the Installation Version is to have a quick, simple and **tool free** possibility to remove the Upper Ring for compact applications.



Step 1: Remove the 4 x spring clips as presented in the above picture. Because the spring of the spring clip is strong, please be careful **not to clamp your fingers** between the spring and the attachment nut

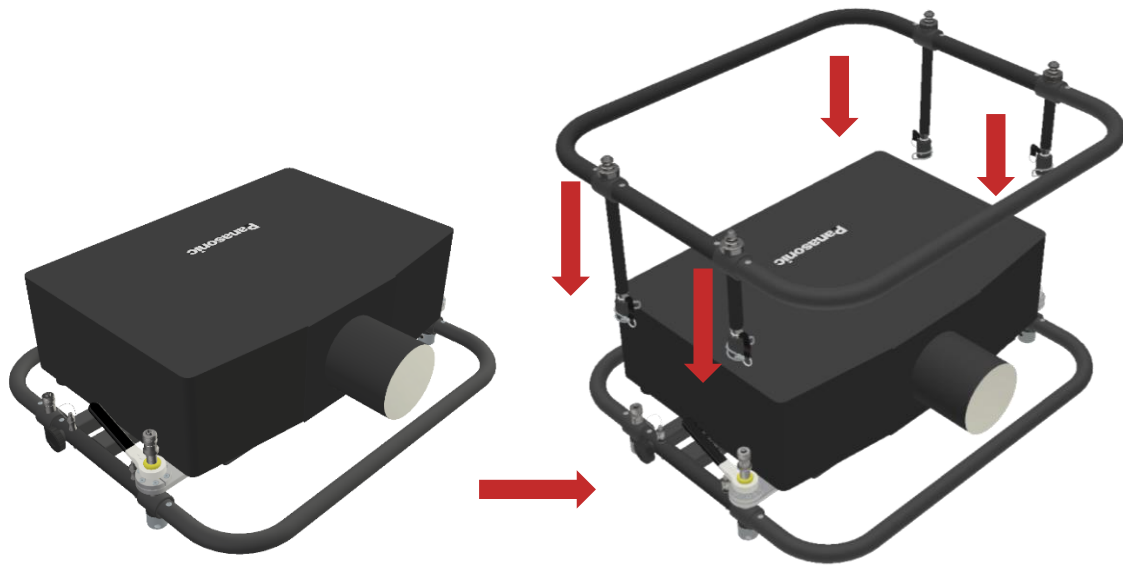


Step 2: Unscrew the 4 x attachment nuts (as presented in the above picture) until they are completely loose and can be move up and down freely.

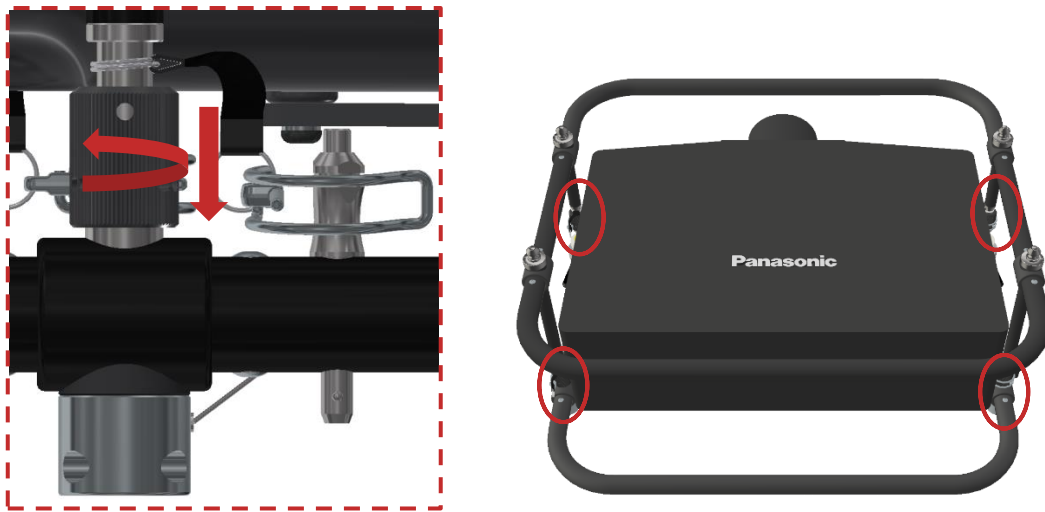


Step 3: Remove the Upper Ring and you will have the Installation Version of the frame

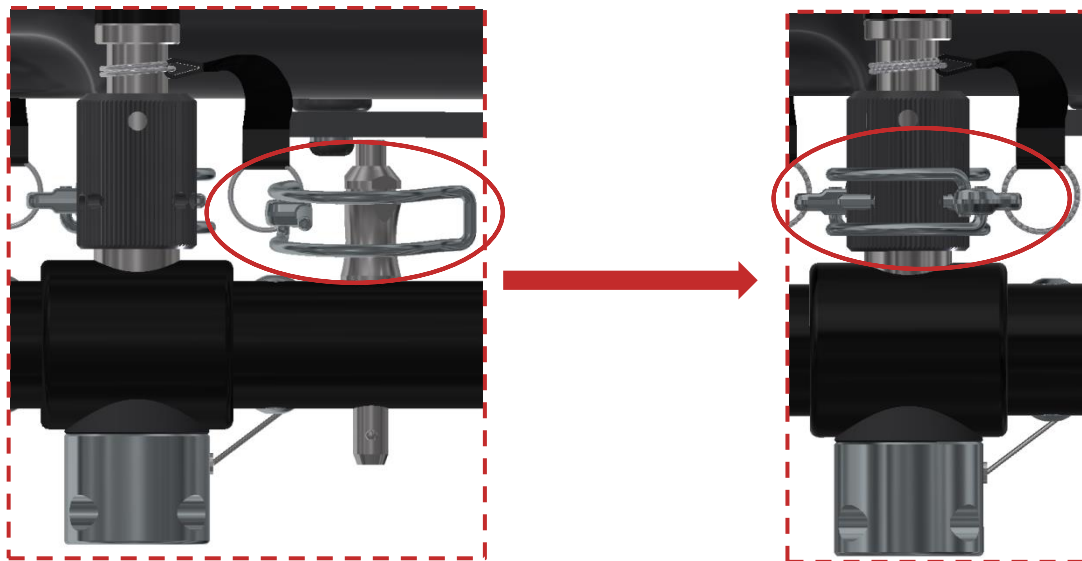
7. Reinstalling the Upper Ring



Step 1: Reposition the Upper Ring on the top of the Bottom Ring in such a way that the 4 x attachment nuts are lying on the corresponding position.

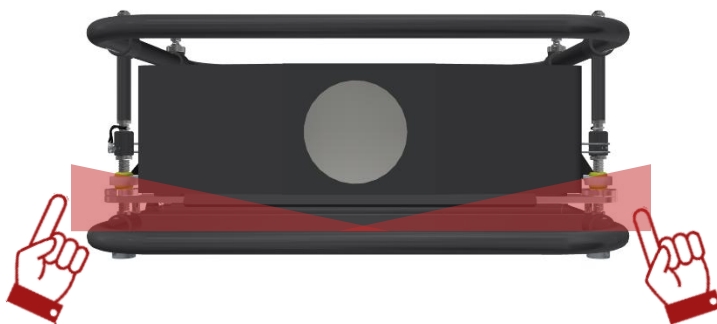
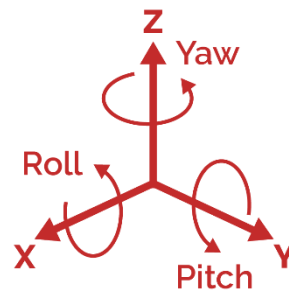
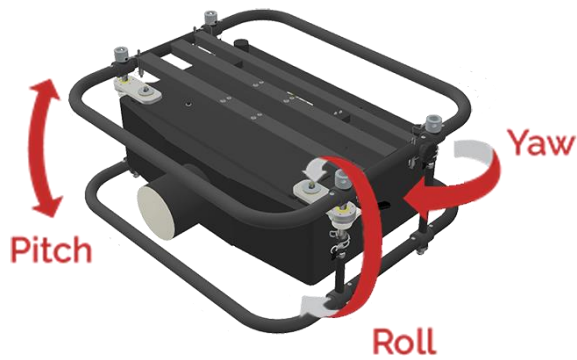


Step 2: Tighten back the 4 x attachment nuts until there is no play and the attachment nuts can not be moved up or down.



Step 3: In the process of attaching the Upper Ring back to the frame, as a last step, please don't forget to reinsert the **4 x spring clips** back into the attachment nut. Because the spring of the spring clip is strong, please be careful **not to clamp your fingers** between the spring and the attachment nut.

8. Adjustment options

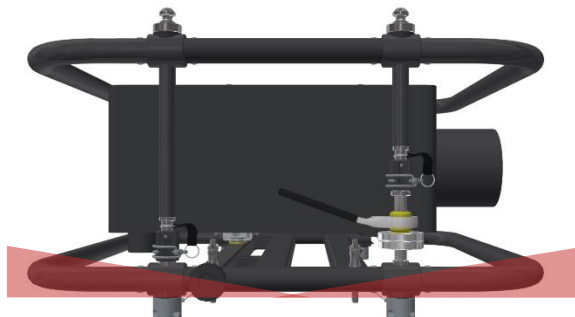


Roll

Using the hand levers to the left and right you can adjust the position of the projector with an angle of ± 2.56 degrees.

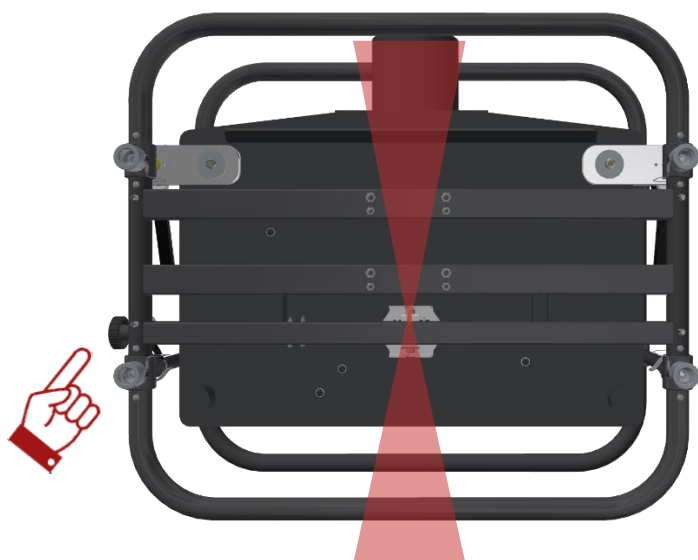
You can lower or lift the front left or right corner.

To roll the projector around the center axis, the two hand levers must be turned in opposite directions.



Pitch

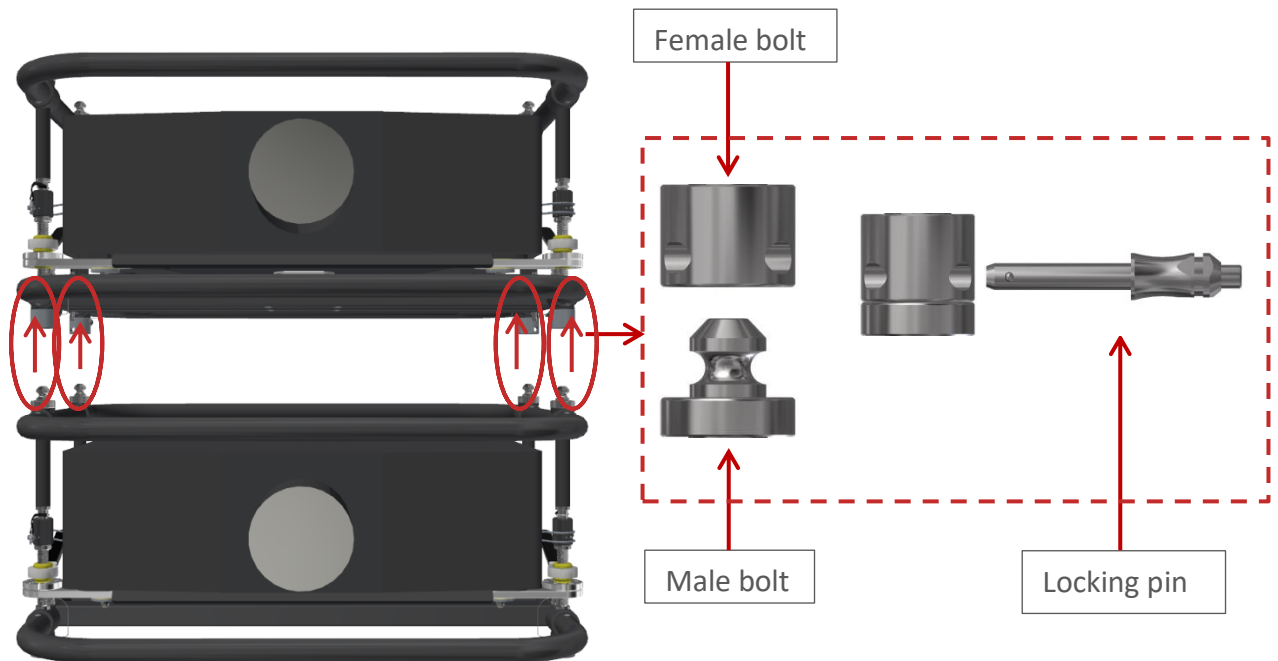
Also by using the two hand levers at the sides you can lower the projector with an angle of -3.58 degrees and lift it with an angle of $+4.40$ degrees.



Yaw

By turning the adjustment screw below the projector, you can move the back of the projector to the left with an angle of 3.73 degrees or to the right with an angle of 4.76 degrees.

9. Stacking frames



Step 1: Place the upper frame with mounted projector on top of the lower frame with mounted projector. Make sure the four male bolts enter into the correspondent female bolts. To secure, insert the locking pins through the holes in the female bolts. Always make sure that the locking pins are locked after being inserted

10. Mounting the frame on a truss



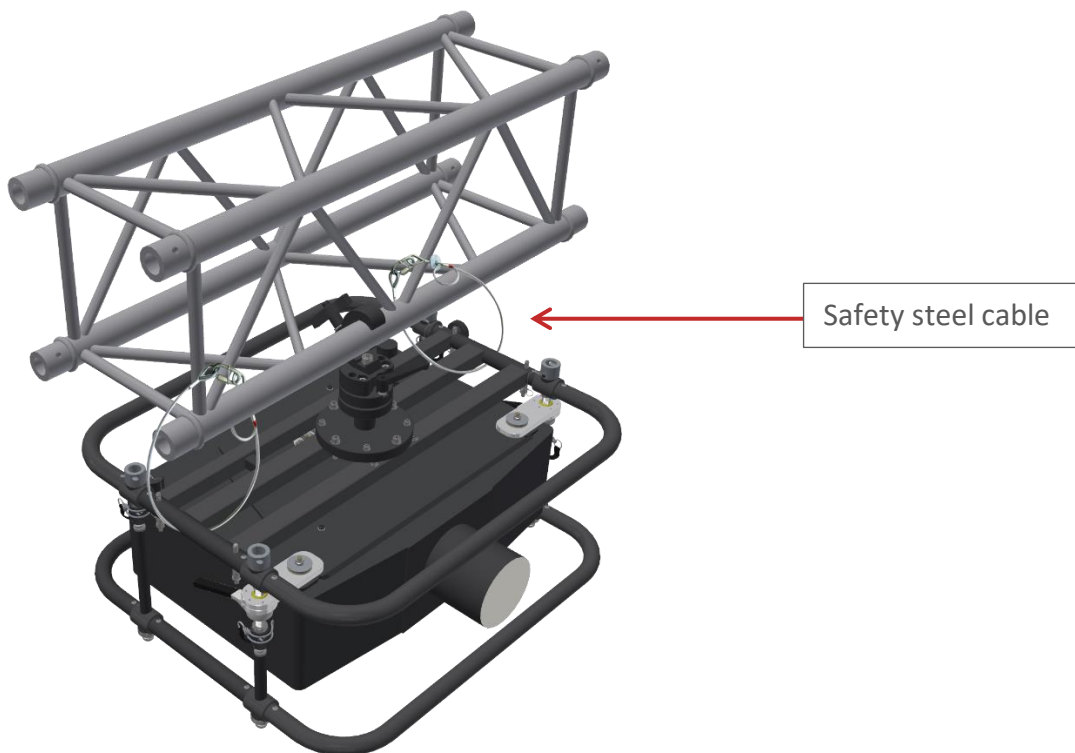
To hang the frame on a truss one must use the recommended **4 x M6** or the **4 x M8** threaded holes to attach a mounting accessory like the **EVO-LINK-200 series**. Use only the original and recommended accessories for this procedure.

Another mounting option is using the optional **Portrait Adapter FRAME-PF-UNI-PORAD** that can be mounted on the frame and then hung on the truss. For further information regarding the setup of the Portrait Adapter (FRAME-PF-UNI-PORAD), please consult the FRAME-PF-UNI-PORAD installation manual.

Manual FRAME-EVO-P14 / P14-US

Always secure the frame using appropriate **safety steel cables**. Make sure they are chosen correctly regarding strength, format and length. Please avoid high dynamic forces by ensuring that the frame will not drop more than **5 cm** into the safety.

Please consult the local laws or regulations regarding the additional safety of hanging equipment.



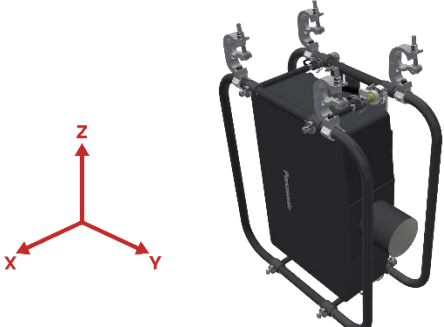

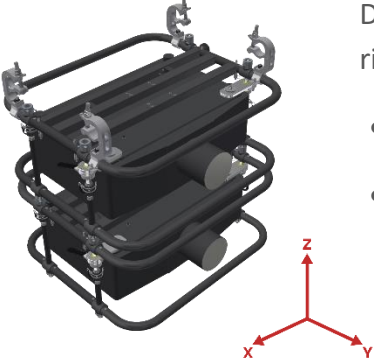
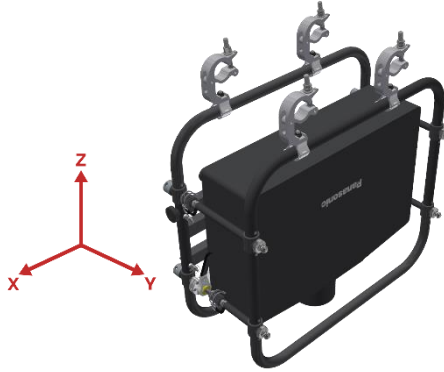
11. Maximum stacking information

Please refer to the tables below to confirm proper usage

Do not try to setup the frame in another position as presented, because accidents can occur!

With EVO-LINK-200 series			
	1	2	3
Landscape			

With rigging clamps FRAME-PF-UNI-CLP5030

<p>Portrait</p>		<p>Distance between the rigging clamps:</p> <ul style="list-style-type: none"> • On X axis: 275 mm • On Y axis: between 380 mm and 390 mm
<p>Landscape</p>	<p>1</p> 	<p>2</p>  <p>Distance between the rigging clamps:</p> <ul style="list-style-type: none"> • On X axis: 718,5 mm • On Y axis: between 380 mm and 390 mm
<p>Warning: triple-hanging with the rigging clamps is not possible! Please do not try to hang three projectors with the rigging clamps because mechanical failure and accidents can occur.</p>		
<p>Vertical Down</p>		<p>Distance between the rigging clamps:</p> <ul style="list-style-type: none"> • On X axis: between 240 mm and 450 mm • On Y axis: 275 mm
<p>Vertical Up</p>	<p>Not possible because of the cooling system that is located on the back side of the projector. There always must be an unobstructed space around the projector, please refer to the corresponding projector manual.</p>	

With Portrait Adapter FRAME-PF-UNI-PORAD together with EVO-LINK-200 series



Portrait


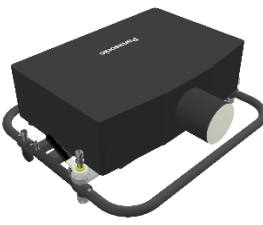
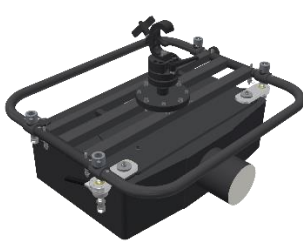
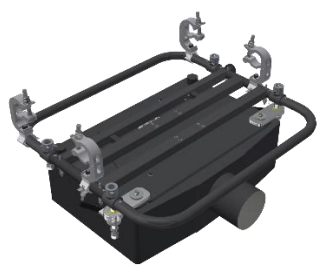


- If using FRAME-EVO-P14 / P14-US together with FRAME-PF-UNI-PORAD one of the four clamp must be removed so that only three clamps are used
- More information can be found in the FRAME-PF-UNI-PORAD installation manual.

Vertical
Down



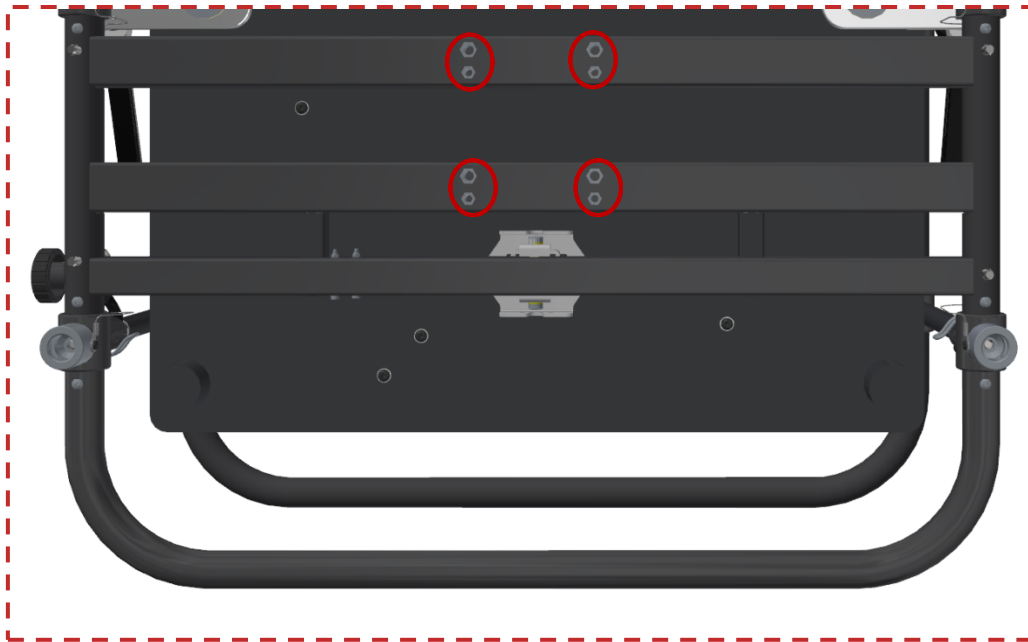
On a table			
Portrait	 <p>In this position one must use the FRAME-PF-UNI-CLP30PT and the frame has to be positioned with the adjustment screw on top.</p>		
Landscape	1	2	3
			
Vertical Up	<p>Not possible because of the cooling system that is located on the back side of the projector. There always must be an unobstructed space around the projector, please refer to the corresponding projector manual.</p>		

Installation Version – without the Upper Ring			
Portrait	With rigging clamps FRAME-PF-UNI-CLP5030		
			
Landscape	On a table	With EVO-LINK-200 series	With rigging clamps FRAME-PF-UNI-CLP5030
			

With rigging clamps FRAME-PF-UNI-CLP5030	
Vertical Down	 <p>In this case, please always be sure that the minimum distance between the back of the projector and the nearby surface is respected. This value can be found in the projector manual.</p>
Vertical Up	 <p>In this case, please always be sure that the minimum distance between the back of the projector and the nearby surface is respected. This value can be found in the projector manual.</p>

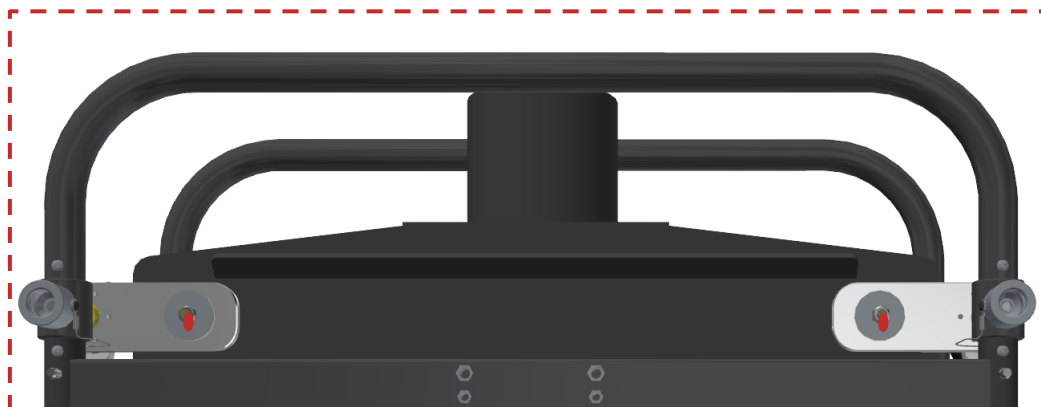
12. System maintenance and inspection (Re-examination)

The FRAME-EVO-P14 / P14-US does not require special maintenance but a visual inspection must be done **prior to every installation** in which the system is involved:

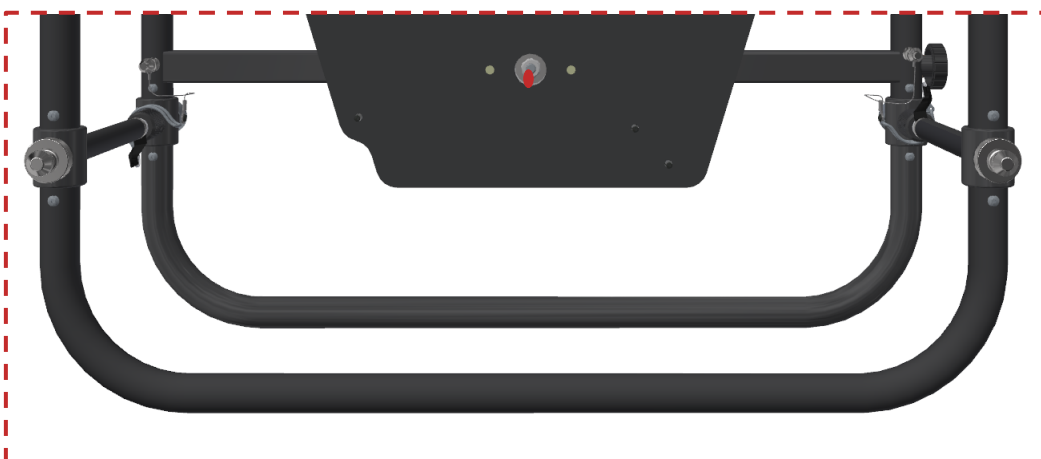


- Before and after each installation, the **M6 and M8 mounting holes** must be carefully inspected, as they may get damaged during the installation of the hanging accessory.
- Please carefully examine the M6 and M8 mounting holes by looking inside each one of them and make sure the thread is not broken or damaged in any way.
- Please make a visual inspection to be sure that all the screws are in the right place and none are missing.
- Make sure that the screws, nuts, stacking pins, connection rods, mounting plate and all the components are not bended, damaged, or broken.
- If any parts are broken or missing, please contact the seller so he can provide the spare parts.

Bottom view:



Top view:



- On the three screws + nuts presented on the above picture a red colour sealing wax was applied to be sure that the nuts will always be on the same position and no one will try to tighten or loosen them;
- **Do not try to manipulate the nuts, because the adjustment mechanism can be blocked and accidents can occur!**
- If one notices that the sealing wax is broken or the nut is moved, please contact the manufacturer!
- Except for the situation described on the previous point, please control, with corresponding tool, that all the other screws are properly tightened.

Do not exchange broken or malfunctioning parts with ones that are not accredited by the manufacturer because serious injuries and property damage can occur!

The inspection must be done by a qualified person!

One meticulous inspection must be performed **every year**. For that, a qualified person needs to carefully check that none of the components are damaged or broken.

13. Declaration of Conformity



EC - Declaration of Conformity

We hereby confirm that the following described lifting accessory in its conception, construction and form put by us in circulation is in full accordance with all relevant health and safety requirements and complies with the following EC-directive:

2006 / 42 / EG (EG-Machinery Directive)

This declaration is no longer valid if the lifting accessory is modified without our written consent.

Manufacturer:

EXACT solutions GmbH
Lustheide 85
D - 51427 Bergisch Gladbach
Tel.: +49 2204 9485 30

Description of the lifting accessory:

- Function: Rigging frame for PANASONIC projectors series such as: **PT-MZ16KL, PT-MZ10KL, PT-MZ13KL**, and other compatible projectors.
- Type/model: **FRAME-EVO-P14 or FRAME-EVO-P14-US**
- Serial number: **FE-P14XX.YYYYY or FE-P14XX.US.YYYYY**
- Year of construction: 2019

The applied harmonized EN - standards include:

- **DIN EN ISO 1200:2010** Safety of machinery – General principles for design – Risk assessment and risk reduction

Further applied standards and regulations include:

- **DIN EN 1991-1** DE: Eurocode 1: Einwirkungen auf Tragwerke (12/2010)
EN: Eurocode 1: Actions on structures (12/2010)
- **DIN EN 1993 -1** DE: Eurocode 3: Bemessung und Konstruktion von Stahlbauten (12/2010)
EN: Eurocode 3: Design of steel structures (12/2010)
- **DIN EN 1999 -1** DE: Eurocode 9: Bemessung und Konstruktion von Aluminiumtragwerken (05/2010)
EN: Eurocode 9: Design of aluminum structures (05/2010)
- **DGVV V17/18** DE: UVV Veranstaltungs- und Produktionsstätten für szenische Darstellung, Stand Januar 2011 (bisher: BGV C1)
EN: Accident Prevention Regulation for Staging and Production Facilities for the Entertainment Industry (formerly BGV C1)
- **DGVV 315-390** DE: Grundsätze für die Prüfung maschinentechnischer Einrichtungen in Bühnen und Studios (bisher: BGG/GUV-G 912)
EN: Fundamentals for testing in stages and studios of the mechanical equipment (formerly BGG/GUV-G 912)
- **BGI 810-3** DE: Lasten über Personen. Sicherheit bei Produktionen und Veranstaltungen von Fernsehen, Hörfunk, Film, Theater, Messen, Veranstaltungen
EN: Safety at Productions and Events – Loads Suspended above Persons

Bergisch Gladbach, 2nd of January 2020

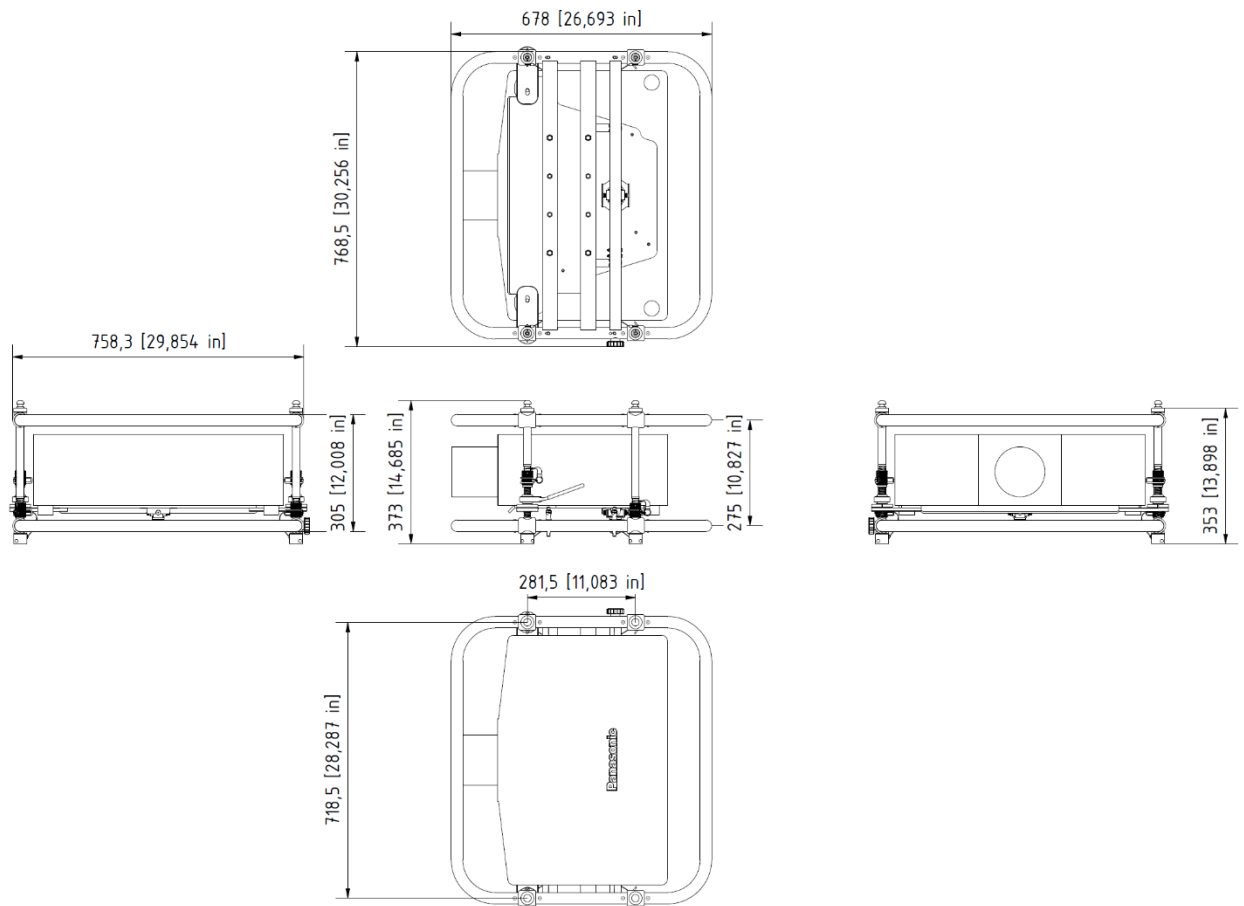
Signature:

(Tobias Schwirten, Managing Director, EXACT solutions GmbH)



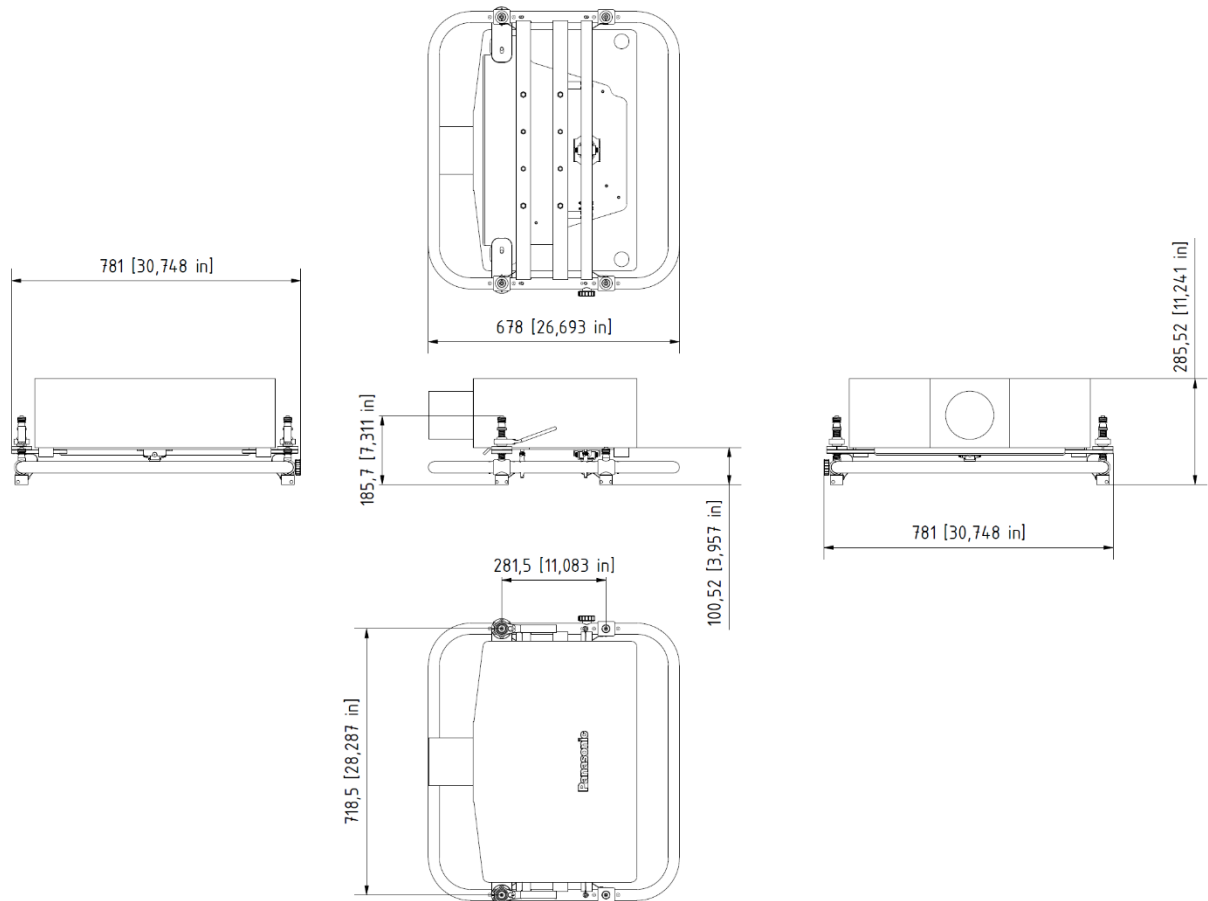
14. Dimensions

14.1 FRAME-EVO-P14 / P14-US



Frame weight: 14,5 kg / 31,97 lbs; (only frame)

14.2 FRAME-EVO-P14 / P14-US Installation Version - without the Upper Ring³



Frame weight: 10,6 kg / 23,37 lbs; (only frame)

³ For a possible ultra-short throw lens that will be compatible with the PT-MZ16Kl projector.

Imprint

EXACT solutions GmbH

Lustheide 85

51427 Bergisch Gladbach

GERMANY

Tel.: +49 2204 9485 30

E-Mail: info@exactsolutions.de

Web: www.exactsolutions.de