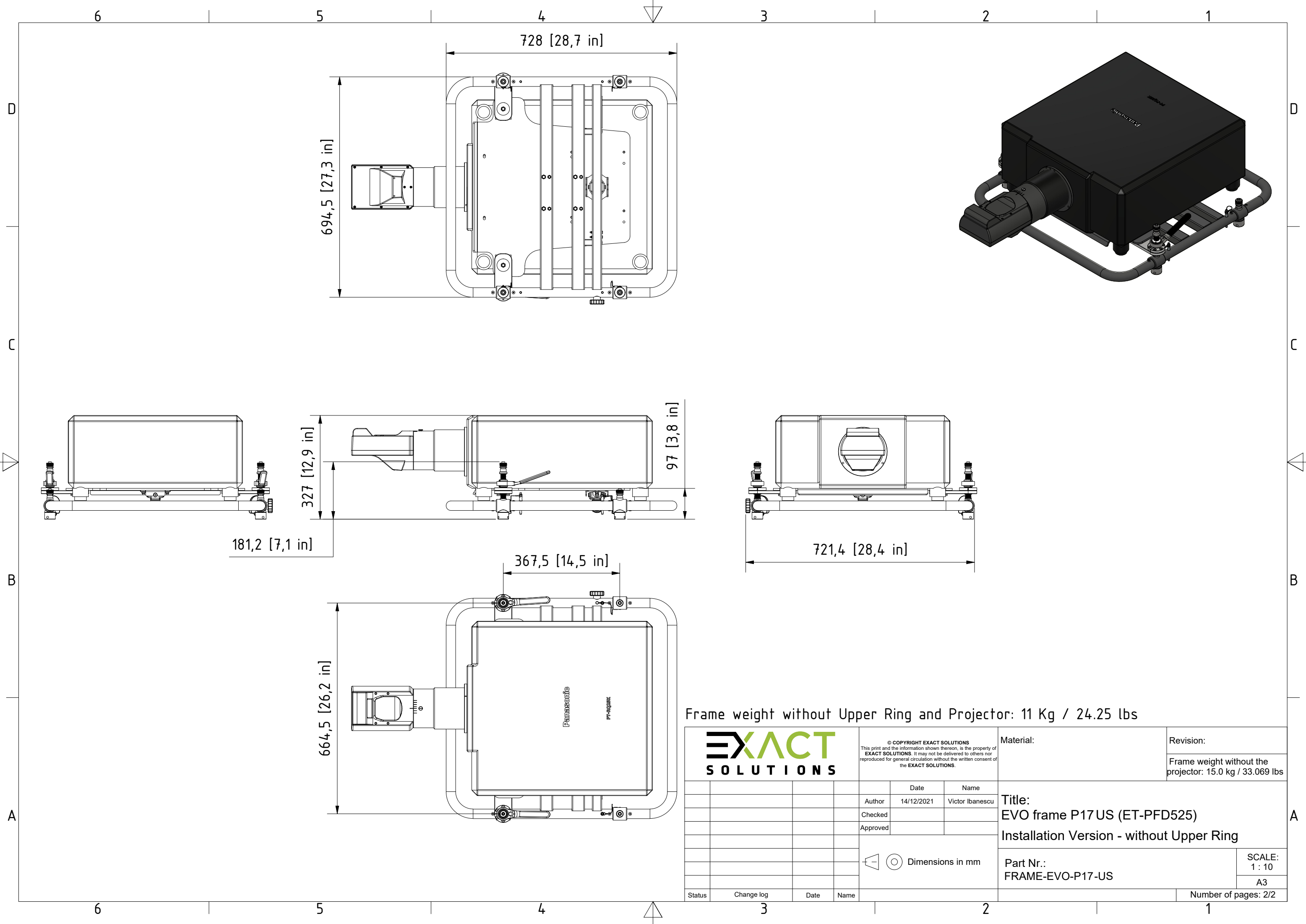


		<small>© COPYRIGHT EXACT SOLUTIONS This print and the information shown thereon, is the property of EXACT SOLUTIONS. It may not be delivered to others nor reproduced for general circulation without the written consent of the EXACT SOLUTIONS.</small>		Material:	Revision:
				Frame weight without the projector: 15.0 kg / 33.069 lbs	
		Date	Name	<b>Title:</b> EVO frame P17 US (ET-PFD525)	
		Author	14/12/2021 Victor Ibanescu		
		Checked			
		Approved		<b>Part Nr.:</b> FRAME-EVO-P17-US	
		Dimensions in mm			
Status	Change log	Date	Name	SCALE: 1 : 10 A3 Number of pages: 1/2	



Frame weight without Upper Ring and Projector: 11 Kg / 24.25 lbs



© COPYRIGHT EXACT SOLUTIONS  
This print and the information shown thereon, is the property of EXACT SOLUTIONS. It may not be delivered to others nor reproduced for general circulation without the written consent of the EXACT SOLUTIONS.

Material:

Revision:

Frame weight without the projector: 15.0 kg / 33.069 lbs

Status	Change log	Date	Name

⚠️ Ⓞ Dimensions in mm

**Title:**  
EVO frame P17 US (ET-PFD525)  
Installation Version - without Upper Ring

**Part Nr.:**  
FRAME-EVO-P17-US

SCALE:  
1 : 10  
A3

Number of pages: 2/2