

Specifications

Main unit

Power supply		AC 100 V-240 V, 50 Hz/60 Hz		
Power consumption ¹	Maximum power consumption		240 W (2.6-1.0 A) (245 VA)	
	On-mode power consumption (Light power)	[NORMAL]	215 W (100-240 V), 205 W (200-240 V)	
		[ECO]	165 W (100-240 V), 160 W (200-240 V)	
		[QUIET]	160 W (100-240 V), 155 W (200-240 V)	
Standby mode power consumption	[NORMAL]	14 W When [IN STANDBY MODE] in [AUDIO SETTING] is set to [OFF], [QUICK STARTUP] is set to [OFF], and <DC OUT> terminal is not in use.		
	[ECO]	0.5 W		
BTU value		Max 820 BTU		
LCD panel	Size		16.3 mm [0.64 in] diagonal (16:10 aspect ratio)	
	Display system		Transparent LCD panel (x 3, R/G/B)	
	Number of pixels		2,304,000 (1920 x 1200) pixels	
Refresh rate		60 Hz Refresh rate varies depending on scanning frequency.		
Light source		Laser diode		
Light output ¹	Light Power	[NORMAL]	4,000 lm When [PICTURE MODE] is set to [DYNAMIC], [LIGHT POWER] is set to [NORMAL], [DAYLIGHT VIEW] is set to [OFF], and [AUTO POWER SAVE] is set to [OFF].	
		[ECO/QUIET]	2,800 lm	
Time until light output declines to 50% ²	Light Power	[NORMAL/QUIET]	20,000 hours	
		[ECO]	24,000 hours	
		Filter Replacement Cycle		20,000 hours (Under the dust conditions of 0.08mg/m ³) 10,000 hours (Under the dust conditions of 0.15mg/m ³) Filter cleaning cycle varies depending on environment. Filter can be washed and reused up to two times.
Resolution		WUXGA (1920 x 1200 pixels)		
Contrast ratio ¹		3,000,000:1 (Full On/Full Off) (When [PICTURE MODE] is set to [DYNAMIC] and [DYNAMIC CONTRAST] is set to [1].)		
Screen size		1.27-2.67 m [50-105 in], 16:10 aspect ratio		
Center to corner zone ratio ¹		85%		
Lens		Fixed zoom, manual focus lens, F = 1.8, f = 6.08 mm, throw ratio: 0.43:1 (Projection distance: 0.73 m (2.47 ft) for [80 in] image)		
Digital Zoom Extender ³		Throw ratio: 0.43-0.54:1 ⁴ (Corresponding value)		
Keystone correction range		Vertical ±15 ° (Auto, Manual), Horizontal ±15 ° (Manual)		
Installation		Ceiling/floor, front/rear, free 360-degree installation		
Built-in speaker		10 W (monaural)		
Compatible Signal	COMPUTER signal input	Video signal resolution: 480i (525i), 576i (625i), 480/60p to 1080/50p Computer signal resolution: 640 x 480 to 1920 x 1200 (non-interlace) Dot clock frequency: 13.5 MHz to 162 MHz		
	HDMI signal input	Video signal resolution: 480/60p, 576/50p to 4096 x 2160/30p Computer signal resolution: 640 x 480 to 1920 x 1200 (non-interlace) Dot clock frequency: 25 MHz to 297 MHz		
Terminals	HDMI 1 IN/ 2 IN		HDMI 19pin x 2 Deep Color, compatible with HDCP 1.4, 4K/30p signal input ⁵ , CEC supported ⁶ Audio Signal: Linear PCM (Sampling frequency: 48 kHz/44.1 kHz/32 kHz)	
	COMPUTER 1 IN / 2 IN	D-sub 15pin (female) x 2		
		RGB	0.7 V [p-p], 75 ohms (1.0 V [p-p], 75 ohms for sync on G) HD/SYNC, VD: TTL, high impedance, positive/negative automatic	
		YPbPr	Y: 1.0 V [p-p], including sync signal, Pb/Pr (Cb/Cr): 0.7 V [p-p], 75 ohms	
	AUDIO 1 IN/ 2 IN		M3 stereo mini-jack x 2 0.5 V [rms], input Impedance 22 k Ohms and more	
	AUDIO OUT		M3 stereo mini-jack x 1 0 V [rms] to 2.0 V [rms] variable, output Impedance 2.2 k ohms and less	
SERIAL IN		D-sub 9-pin (female) x 1 for computer control (RS-232C compliant)		
LAN		RJ-45 x 1 for network control, 10Base-T, 100Base-TX		

Terminals	USB (VIEWER/WIRELESS/DC OUT)	USB connector (Type A) x 1 for Memory Viewer function, optional Wireless Module AJ-WM50, power supply (DC 5 V, maximum 2 A)
Supported Internet protocol version		IPv4
Power cord length		India: 3.0 m [9 ft 10 in] Other countries or regions: 2.0 m [6 ft 7 in]
Cabinet materials		Molded plastic
Dimensions (W x H x D)		349 x 138 x 370 mm [13 3/4 x 5 7/16 x 14 9/16 in] (with feet at shortest position)
Weight with supplied lens ⁸		Approx. 4.9 kg (10.8 lbs)
Operating noise ¹		35 dB (NORMAL/ECO), 24 dB (QUIET)
Laser Classification	Laser Class	Class 1 (IEC/EN 60825-1:2014)
	Risk Group	Risk Group 2 (IEC 62471-5:2015)
Operating environment	Operating environment temperature	0-45 °C (32-113 °F) ⁹
	Operating environment humidity	20%-80% (no condensation)

Remote control unit

Power supply	3V DC (AAA/R03/LR03 battery x 2)
Operation range	Approx. 20 m [65 ft 7 in] (when operated directly in front of signal receptor)
Dimensions (W x H x D)	44 x 105 x 20.5 mm [1-47/64 x 4-9/64 x 13/16 in]
Weight ⁸	Approx. 63 g (2.22 ozs.) including batteries

Supplied accessories

- Wireless remote control unit (x 1)
- Power cord (x 2 for Europe & Asia model/ x 1 for other countries)
- Batteries for remote control (R03/AAA type x 2)

Other Applications

- Multi Monitoring & Control Software (for Windows)
- Projector Network Setup Software (for Windows)
- Logo Transfer Software (for Windows)
- Presenter Light Software (for Windows)¹⁰
- Wireless Projector App (for iOS/Android)¹¹

Supported services of Control via LAN

- PJLink™ (Class2)
- Crestion Connected™
- AMX Device Discovery

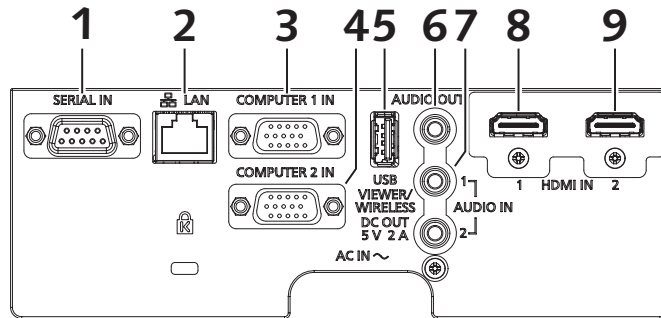
Optional accessories

Ceiling Mount Bracket	for high ceilings	ET-PKL100H
	for low ceilings	ET-PKL100S
Projector Mount Bracket		ET-PKL430B
Replacement Filter Unit		ET-RFL400
Wireless Module		AJ-WM50 Series Note: product availability may vary by country or region. The suffix at the end of the model number is omitted. Operating Temperature: 0-40 °C (32-104 °F).
Early Warning Software		ET-SWA100 series Note: part number suffix may differ depending on the license type.
Wireless Presentation System PressIT		TY-WPS1 (basic set) Note: visit https://panasonic.net/cns/prodisplays/pressit/ for more information.

Weights and dimensions shown are approximate. Specifications subject to change without notice.

- 1 Measurement, measuring conditions, and method of notation all comply with ISO/IEC 21118: 2020 international standards. Value is average of all products when shipped.
- 2 Around this time, light output will have decreased to approximately 50 % of its original level (PICTURE MODE: [DYNAMIC], [DYNAMIC CONTRAST] set to [2], temperature 30 °C (86 °F), elevation 700 m (2,297 ft) with 0.15 mg/m³ of particulate matter). Estimated time until light output declines to 50 % varies depending on environment.
- 3 Resolution decreases when using this function. 6-Point Screen Correction, V/H Keystone Correction, and curved-screen correction are not available when using this function, and range of corner adjustment is limited.
- 4 When Digital Zoom Extender is set to 80 %.
- 5 4K signals are converted to the projector's resolution upon projection.
- 6 Depending on the connected CEC command-compatible device, the link control may not operate normally.
- 7 On standby, power supply is available with Quick Startup set to ON or Power Management set to Ready.
- 8 Average value. May differ depending on the actual unit.
- 9 Light output is limited at operating temperatures higher than 30 °C (86 °F), and projectors cannot be operated at altitudes higher than 2,700 m (8,858 ft) above sea level. When optional AJ-WM50 Series Wireless Module is attached, operating temperature range becomes 0-40 °C (32-104 °F).
- 10 When using Presenter Light Software, images are projected with 1280 x 800 dots or 1024 x 768 dots onto the screen. Also, your PC display resolution may be forcibly changed, and audio playback disrupted or become noisy, while images and sound are being transmitted.
- 11 When using the Wireless Projector app, display resolution differs depending on your iOS/Android™ device and the display device. The maximum supported display resolution is WXGA (1280 x 800).

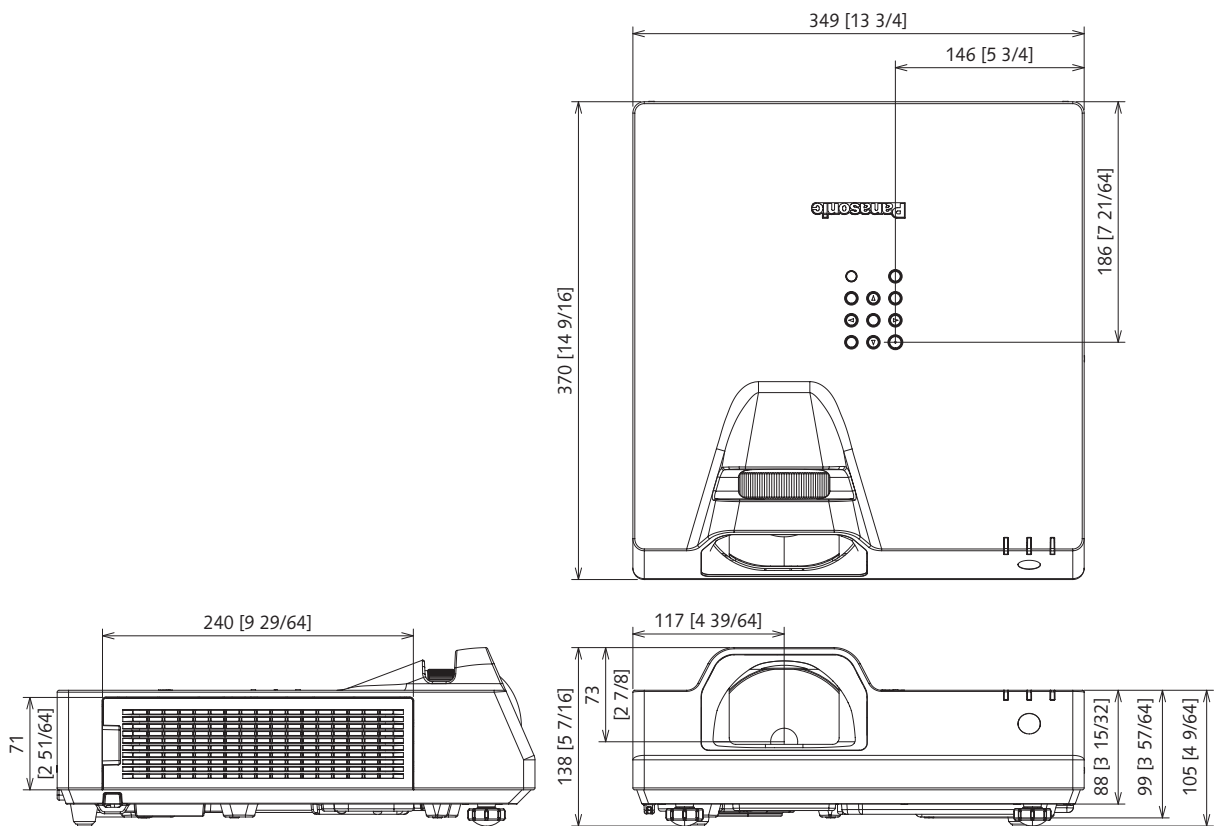
Terminals



1	SERIAL IN	6	AUDIO OUT
2	LAN	7	AUDIO 1 IN/AUDIO 2 IN
3	COMPUTER 1 IN	8	HDMI 1 IN
4	COMPUTER 2 IN	9	HDMI 2 IN
5	USB (VIEWER/WIRELESS/DC OUT)		

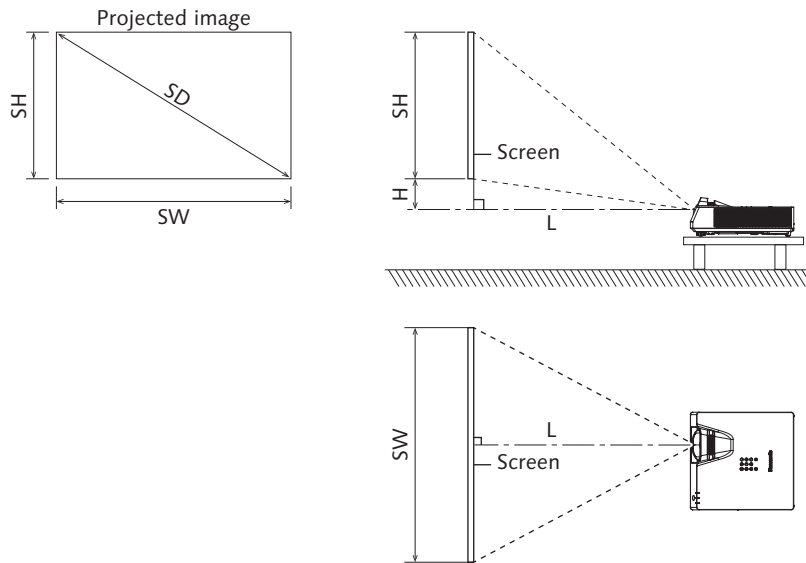
Dimensions

unit : mm [inch]
NOTE: This illustration is not drawn to scale.



Projected image and throw distance

Install the projector referring to the projected image size and projection distance. Image size and image position can be adjusted in accordance with the screen size and screen position.



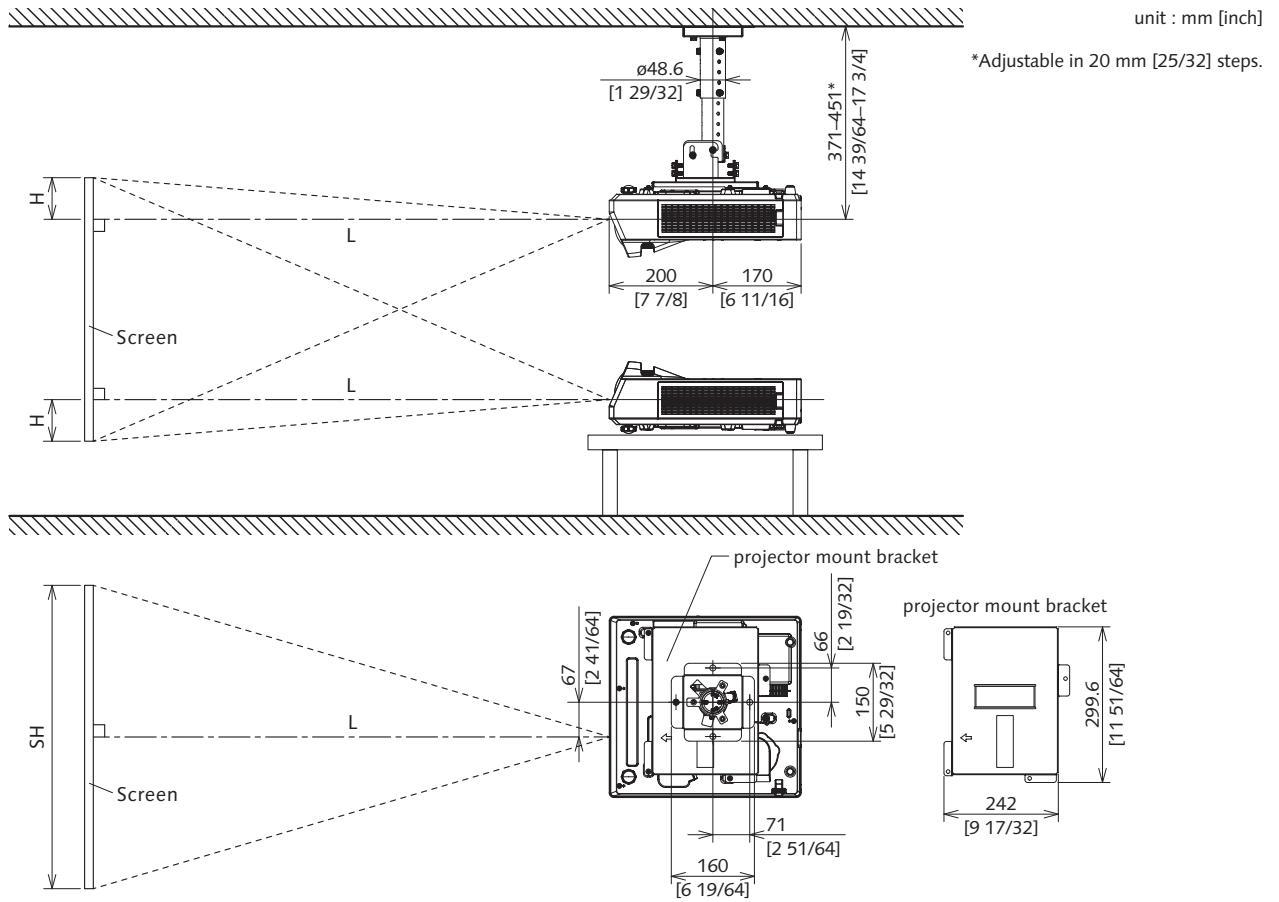
Note

- This illustration is prepared on the assumption that the projected image size and position have been aligned to fit full in the screen.
- This illustration is not drawn to scale.

L	Projection distance
SH	Projected image height
SW	Projected image width
H	Distance from the lens center to the bottom edge of the projected image
SD	Projected image size

Standard setting position

Illustrations show the projector installed using optional ceiling mount bracket ET-PKL100H and projector mount bracket ET-PKL430B.



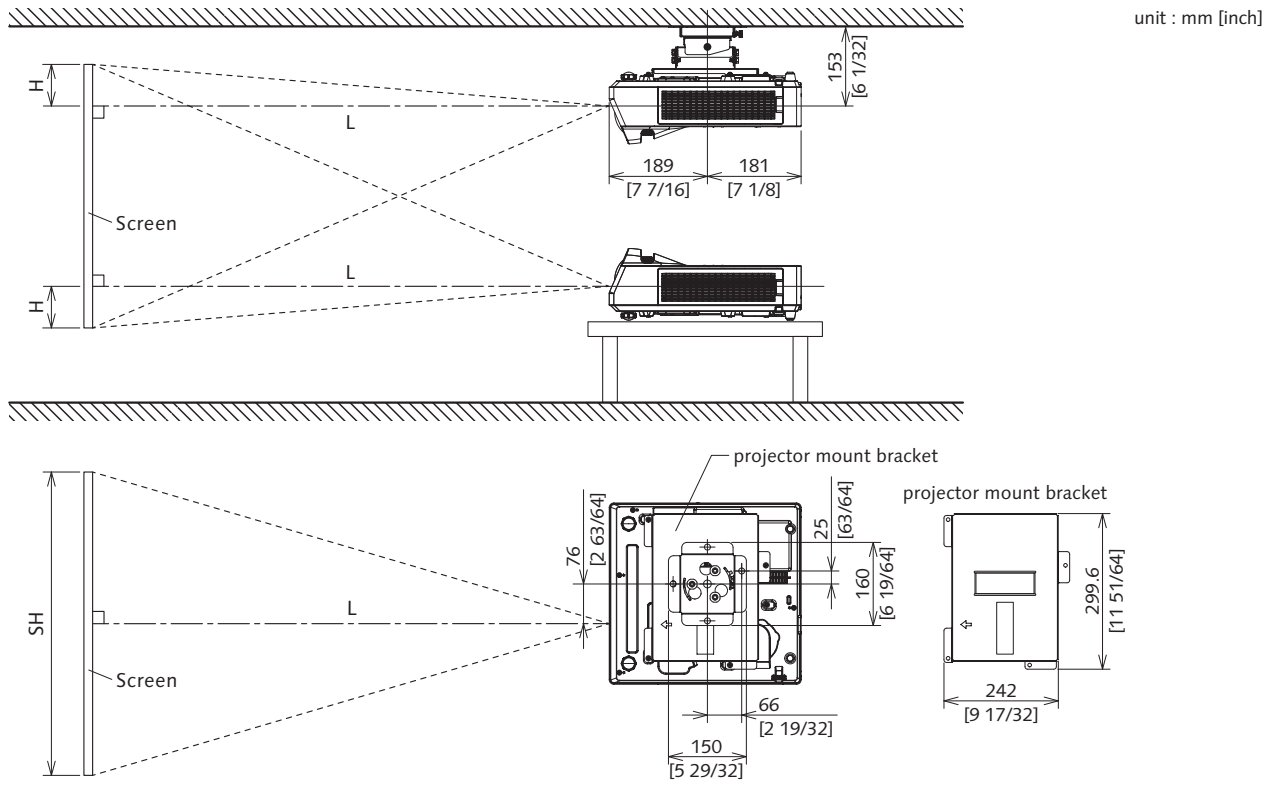
Caution

- All construction work should be done by a qualified technician.
- When mounting to the ceiling, use the special mounting bracket. Furthermore, in order to prevent it from falling down from the ceiling, use the supplied wire on the mounting bracket.

Note

- This illustration is prepared on the assumption that the projected image size and position have been aligned to fit full in the screen.
- This illustration is not drawn to scale.
- The values are approximate.

Illustrations show the projector installed using optional ceiling mount bracket ET-PKL100S and projector mount bracket ET-PKL430B.



Caution

- All construction work should be done by a qualified technician.
- When mounting to the ceiling, use the special mounting bracket.
Furthermore, in order to prevent it from falling down from the ceiling, use the supplied wire on the mounting bracket.

Note

- This illustration is prepared on the assumption that the projected image size and position have been aligned to fit full in the screen.
- This illustration is not drawn to scale.
- The values are approximate.

Projection distance

A $\pm 5\%$ error in listed projection distances may occur.

When [SCREEN ADJUSTMENT] is used, distance is corrected to become smaller than the specified image size.

Screen aspect ratio 16:10

Unit: meters

Throw ratio			0.43:1	Digital Zoom Extender ¹ 0.43-0.54:1 ² (Corresponding Value)	UD 11:-1
Projected image size			Projection distance (L)		Height from the edge of screen to center of lens (H) ³
Diagonal (SD) inches / m	Height (SH)	Width (SW)			
50 / 1.27	0.67	1.08	0.45	0.57	-0.067
60 / 1.52	0.81	1.29	0.54	0.68	-0.081
70 / 1.78	0.94	1.51	0.64	0.81	-0.094
80 / 2.03	1.08	1.72	0.73	0.92	-0.108
90 / 2.29	1.21	1.94	0.83	1.05	-0.121
100 / 2.54	1.35	2.15	0.93	1.17	-0.135
105 / 2.67	1.42	2.26	0.97	1.23	-0.142

1 The display resolution decreases when the Digital Zoom Extender function is used. In addition, the 6-point correction, keystone correction and curved correction functions cannot be used, and the adjustable range of corner correction is reduced.

2 When Digital Zoom Extender is set to 80%.

3 When Digital Zoom Extender function is not used.

Unit: feet

Throw ratio			0.43:1	Digital Zoom Extender ¹ 0.43-0.54:1 ² (Corresponding Value)	UD 11:-1
Projected image size			Projection distance (L)		Height from the edge of screen to center of lens (H) ³
Diagonal (SD) inches / m	Height (SH)	Width (SW)			
50 / 1.27	2.20	3.54	1.48	1.87	-0.22
60 / 1.52	2.66	4.23	1.77	2.23	-0.27
70 / 1.78	3.08	4.95	2.10	2.66	-0.31
80 / 2.03	3.54	5.64	2.39	3.02	-0.35
90 / 2.29	3.97	6.36	2.72	3.44	-0.40
100 / 2.54	4.43	7.05	3.05	3.84	-0.44
105 / 2.67	4.66	7.41	3.18	4.04	-0.47

1 The display resolution decreases when the Digital Zoom Extender function is used. In addition, the 6-point correction, keystone correction and curved correction functions cannot be used, and the adjustable range of corner correction is reduced.

2 When Digital Zoom Extender is set to 80%.

3 When Digital Zoom Extender function is not used.

Screen aspect ratio 16:9

Unit: meters

			Digital Zoom Extender ¹		
Throw ratio			0.43:1	0.43-0.54:1 ² (Corresponding Value)	UD 7:-1
Projected image size			Projection distance (L)		Height from the edge of screen to center of lens (H) ³
Diagonal (SD) inches / m	Height (SH)	Width (SW)			
50 / 1.27	0.62	1.11	0.46	0.58	-0.104
60 / 1.52	0.74	1.33	0.56	0.70	-0.124
70 / 1.78	0.87	1.55	0.66	0.83	-0.145
80 / 2.03	0.99	1.77	0.75	0.95	-0.166
90 / 2.29	1.12	2.00	0.85	1.08	-0.187
100 / 2.54	1.24	2.21	0.95	1.20	-0.207
105 / 2.67	1.31	2.33	1.00	1.26	-0.218

1 The display resolution decreases when the Digital Zoom Extender function is used. In addition, the 6-point correction, keystone correction and curved correction functions cannot be used, and the adjustable range of corner correction is reduced.

2 When Digital Zoom Extender is set to 80%.

3 When Digital Zoom Extender function is not used.

Unit: feet

			Digital Zoom Extender ¹		
Throw ratio			0.43:1	0.43-0.54:1 ² (Corresponding Value)	UD 7:-1
Projected image size			Projection distance (L)		Height from the edge of screen to center of lens (H) ³
Diagonal (SD) inches / m	Height (SH)	Width (SW)			
50 / 1.27	2.03	3.64	1.51	1.90	-0.34
60 / 1.52	2.43	4.36	1.84	2.30	-0.41
70 / 1.78	2.85	5.09	2.17	2.72	-0.48
80 / 2.03	3.25	5.81	2.46	3.12	-0.54
90 / 2.29	3.67	6.56	2.79	3.54	-0.61
100 / 2.54	4.07	7.25	3.12	3.94	-0.68
105 / 2.67	4.30	7.64	3.28	4.13	-0.72

1 The display resolution decreases when the Digital Zoom Extender function is used. In addition, the 6-point correction, keystone correction and curved correction functions cannot be used, and the adjustable range of corner correction is reduced.

2 When Digital Zoom Extender is set to 80%.

3 When Digital Zoom Extender function is not used.

Screen aspect ratio 4:3

Unit: meters

Throw ratio			0.52:1		Digital Zoom Extender ¹	0.52-0.65:1 ² (Corresponding Value)	UD 11:-1
Projected image size			Projection distance (L)				Height from the edge of screen to center of lens (H) ³
Diagonal (SD) inches / m	Height (SH)	Width (SW)					
50 / 1.27	0.76	1.02	0.51			0.64	-0.076
60 / 1.52	0.91	1.22	0.61			0.77	-0.091
70 / 1.78	1.07	1.42	0.72			0.91	-0.107
80 / 2.03	1.22	1.62	0.83			1.05	-0.122
90 / 2.29	1.37	1.83	0.94			1.19	-0.137
100 / 2.54	1.52	2.03	1.05			1.32	-0.152
105 / 2.67	1.60	2.14	1.10			1.39	-0.160

1 The display resolution decreases when the Digital Zoom Extender function is used. In addition, the 6-point correction, keystone correction and curved correction functions cannot be used, and the adjustable range of corner correction is reduced.

2 When Digital Zoom Extender is set to 80%.

3 When Digital Zoom Extender function is not used.

Unit: feet

Throw ratio			0.43:1		Digital Zoom Extender ¹	0.52-0.65:1 ² (Corresponding Value)	UD 11:-1
Projected image size			Projection distance (L)				Height from the edge of screen to center of lens (H) ³
Diagonal (SD) inches / m	Height (SH)	Width (SW)					
50 / 1.27	2.49	3.35	1.67			2.10	-0.25
60 / 1.52	2.99	4.00	2.00			2.53	-0.30
70 / 1.78	3.51	4.66	2.36			2.99	-0.35
80 / 2.03	4.00	5.31	2.72			3.44	-0.40
90 / 2.29	4.49	6.00	3.08			3.90	-0.45
100 / 2.54	4.99	6.66	3.44			4.33	-0.50
105 / 2.67	5.25	7.02	3.61			4.56	-0.52

1 The display resolution decreases when the Digital Zoom Extender function is used. In addition, the 6-point correction, keystone correction and curved correction functions cannot be used, and the adjustable range of corner correction is reduced.

2 When Digital Zoom Extender is set to 80%.

3 When Digital Zoom Extender function is not used.

Formula for calculating the projection distance

To use a projected image size not listed in this manual, check the projected image size SD (m) and use the respective formula to calculate the value.

The unit of all the formulae is m. (Values obtained by the following calculation formulae contain a slight error.)

When calculating the value using image size designation (value in inches), multiply the value in inches by 0.0254 and substitute it into SD in the formula.

Unit: m

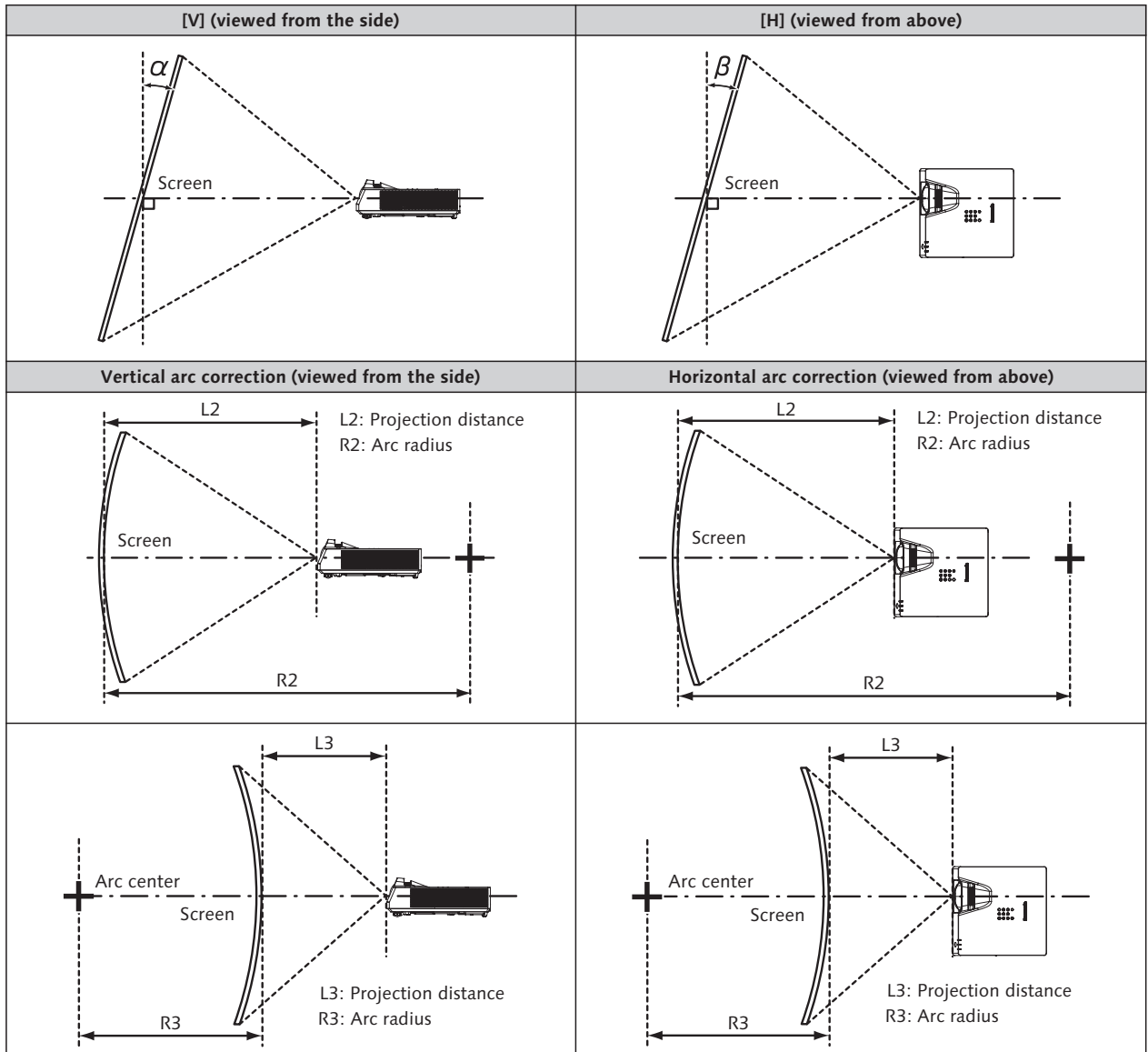
Aspect ratio	16:10	16:9	4:3
Screen height (SH)	= 0.530 x SD	= 0.490 x SD	= 0.6 x SD
Screen width (SW)	= 0.848 x SD	= 0.872 x SD	= 0.8 x SD
Projection distance (L) ¹	= 0.3774 x SD/X - 0.0332	= 0.3879 x SD/X - 0.0342	= 0.4273 x SD/X - 0.0376

1 X in the formulas represents the setting value of [DIGITAL ZOOM EXTENDER] (100%=1.00, 99%=0.99, ...).

Note

- The value for L (distance to screen) varies slightly within ±5% depending on the zoom lens characteristics.
- When keystone correction is used, the image is corrected in the direction that reduces its projected size.

[SCREEN ADJUSTMENT] projection range



Only [KEYSTONE] used		[KEYSTONE] and [CURVED CORRECTION] used together				Only [CURVED CORRECTION] used	
Vertical keystone correction angle α (°)	Horizontal keystone correction angle β (°)	Vertical keystone correction angle α (°)	Horizontal keystone correction angle β (°)	Min. value of R2/ L2	Min. value of R3/ L3	Min. value of R2/ L2	Min. value of R3/ L3
±15	±15	±15	±15	7.4	7.0	5.0	5.0

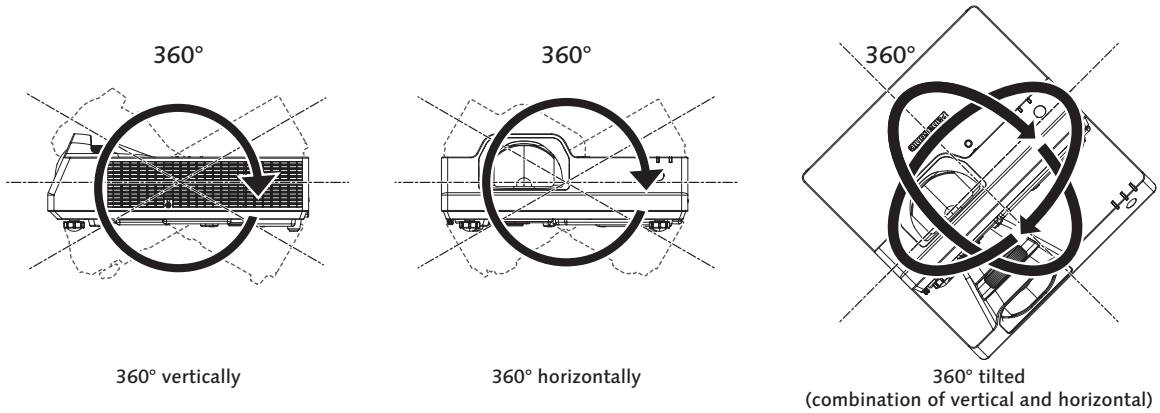
Note

- When [SCREEN ADJUSTMENT] is used, the focus may not be able to match the whole screen as correction increases.
- The curved screen should be in the shape of a circular arc part of a perfect circle.

Installable angle

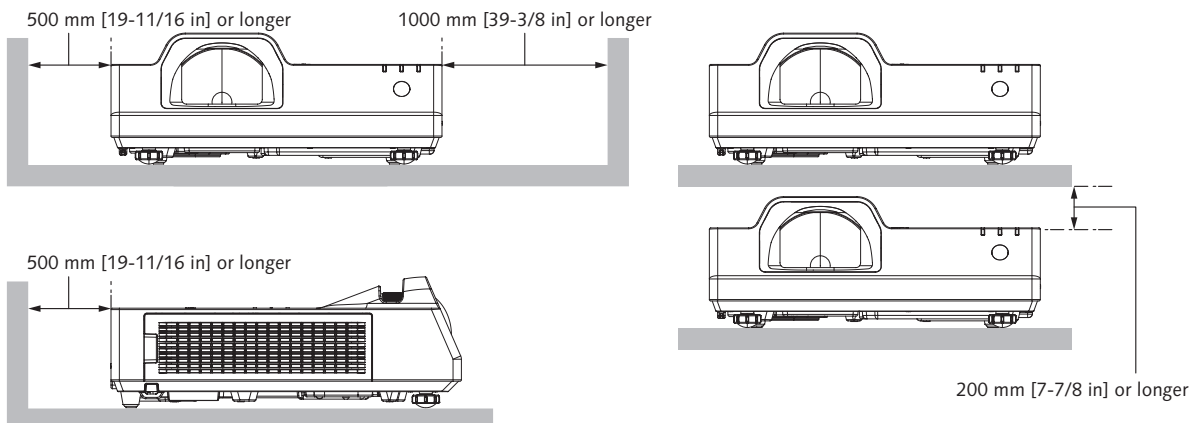
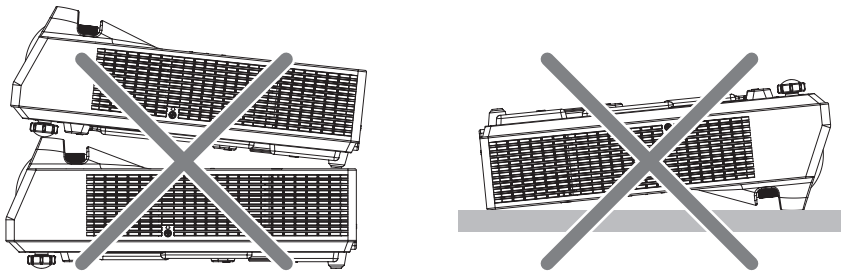
Install the projector at an angle within the range shown below.

FULL 360-degree projection



Notes on projector placement and operation

1. Never place objects on top of the projector while it is operating.
2. Make sure there is the unobstructed space as shown below or more around the projector's exhaust openings. In addition to this space, also ensure that there is a sufficient work space for removing and installing filter and other parts.
3. Make sure that nothing blocks the projector's air intake and exhaust openings. Also, install the projector so that cool or hot air from other air conditioning equipment does not flow directly toward the projector's air intake or exhaust openings.
4. Do not install the projector in an enclosed space. If it is necessary to install it in an enclosed space, add a separate ventilation system. If ventilation is insufficient, hot air will accumulate at the intake opening. This may cause the projector's protective circuit to interrupt projector operation.



List of compatible signals

The following table specifies the type of signals compatible with the projector.

This projector supports the signal with ✓ in the compatible signal column.

Signal type	Signal name	Resolution (Display Resolution)	Scanning freq.		Dot clock freq. (MHz)	compatible signal		Plug and play correspondence	
			Horizontal (kHz)	Vertical (Hz)		COMPUTER	HDMI	COMPUTER	HDMI
Video Signal	480i (525i)	712 x 483i	15.7	59.9	13.5	✓	—	—	—
	576i (625i)	702 x 575i	15.6	50.0	13.5	✓	—	—	—
	480/60p	720 x 480	31.5	59.9	27.0	✓	✓	—	✓
	576/50p	720 x 576	31.3	50.0	27.0	✓	✓	—	✓
	720/60p	1280 x 720	45.0	60.0 ¹	74.3	✓	✓	—	✓
	720/50p	1280 x 720	37.5	50.0	74.3	✓	✓	—	✓
	1080/60i	1920 x 1080i	33.8	60.0 ¹	74.3	✓	✓	—	✓
	1080/50i	1920 x 1080i	28.1	50.0	74.3	✓	✓	—	✓
	1080/24p	1920 x 1080	27.0	24.0 ¹	74.3	✓	✓	—	✓
	1080/24sF	1920 x 1080i	27.0	48.0 ¹	74.3	✓	✓	—	—
	1080/25p	1920 x 1080	28.1	25.0	74.3	✓	✓	—	—
	1080/30p	1920 x 1080	33.8	30.0 ¹	74.3	✓	✓	—	—
	1080/60p	1920 x 1080	67.5	60.0 ¹	148.5	✓	✓	—	✓
	1080/50p	1920 x 1080	56.3	50.0	148.5	✓	✓	—	✓
	3840 x 2160/24p	3840 x 2160	54.0	24.0 ¹	297.0	—	✓	—	✓
	3840 x 2160/25p	3840 x 2160	56.3	25.0	297.0	—	✓	—	✓
	3840 x 2160/30p	3840 x 2160	67.5	30.0 ¹	297.0	—	✓	—	✓
	4096 x 2160/24p	4096 x 2160	54.0	24.0 ¹	297.0	—	✓	—	✓
4096 x 2160/25p	4096 x 2160	56.3	25.0	297.0	—	✓	—	✓	
4096 x 2160/30p	4096 x 2160	67.5	30.0 ¹	297.0	—	✓	—	✓	
Computer Signal	640 x 480/60	640 x 480	31.5	59.9	25.2	✓	✓	✓	✓
	800 x 600/60	800 x 600	37.9	60.3	40.0	✓	✓	✓	✓
	1024 x 768/50	1024 x 768	39.6	50.0	51.9	✓	✓	—	—
	1024 x 768/60	1024 x 768	48.4	60.0	65.0	✓	✓	✓	✓
	1024 x 768/70	1024 x 768	56.5	70.1	75.0	✓	✓	✓	✓
	1024 x 768/75	1024 x 768	60.0	75.0	78.8	✓	✓	✓	✓
	1152 x 864/75	1152 x 864	67.5	75.0	108.0	✓	✓	—	—
	1152 x 864/85	1152 x 864	77.1	85.0	119.7	✓	✓	—	—
	1280 x 720/60	1280 x 720	44.8	59.9	74.5	✓	✓	—	—
	1280 x 768/60	1280 x 768	47.8	59.9	79.5	✓	✓	—	—
	1280 x 800/50	1280 x 800	41.3	50.0	68.0	✓	✓	—	—
	1280 x 800/60	1280 x 800	49.7	59.8	83.5	✓	✓	—	—
	1280 x 800/75	1280 x 800	62.8	74.9	106.5	✓	✓	—	—
	1280 x 800/85	1280 x 800	71.6	84.9	122.5	✓	✓	—	—
	1280 x 960/60	1280 x 960	60.0	60.0	108.0	✓	✓	—	—
	1280 x 1024/60	1280 x 1024	64.0	60.0	108.0	✓	✓	—	—
	1280 x 1024/75	1280 x 1024	80.0	75.0	135.0	✓	✓	✓	✓
	1280 x 1024/85	1280 x 1024	91.1	85.0	157.5	✓	✓	—	—
	1366 x 768/60	1366 x 768	47.7	59.8	85.5	✓	✓	—	—
	1400 x 1050/60	1400 x 1050	65.3	60.0	121.8	✓	✓	—	—
	1400 x 1050/75	1400 x 1050	82.2	75.0	155.9	✓	✓	—	—
	1440 x 900/60	1440 x 900	55.9	59.9	106.5	✓	✓	—	—
	1600 x 900/60	1600 x 900	55.9	60.0	119.0	✓	✓	—	—
	1600 x 1200/60	1600 x 1200	75.0	60.0	162.0	✓	✓	✓	✓
1680 x 1050/60	1680 x 1050	65.3	60.0	146.3	✓	✓	—	—	
1920 x 1080/50	1920 x 1080	55.6	49.9	141.5	✓	✓	—	—	
1920 x 1200/50	1920 x 1200	61.8	49.9	158.3	✓	✓	—	—	
1920 x 1200/60 ²	1920 x 1200	74.0	60.0	154.0	✓	✓	✓	✓	

1 It also supports signals with vertical scanning frequency of 1 / 1.001 times.

2 VESA CVT-RB (Reduced Blanking)-compliant

Note

- A signal with a different resolution is converted to the number of display dots. 1920 x 1200
- The "i" at the end of the resolution indicates an interlaced signal.
- When interlaced signals are connected, flickering may occur on the projected image.
- Even the above signals exist, some image signals recorded in special method may not be displayed.