



# Ultra Short Throw Projector

Enable Space Saving Projection,  
Powerful Solution for Classroom and Office

PLC-WL2500



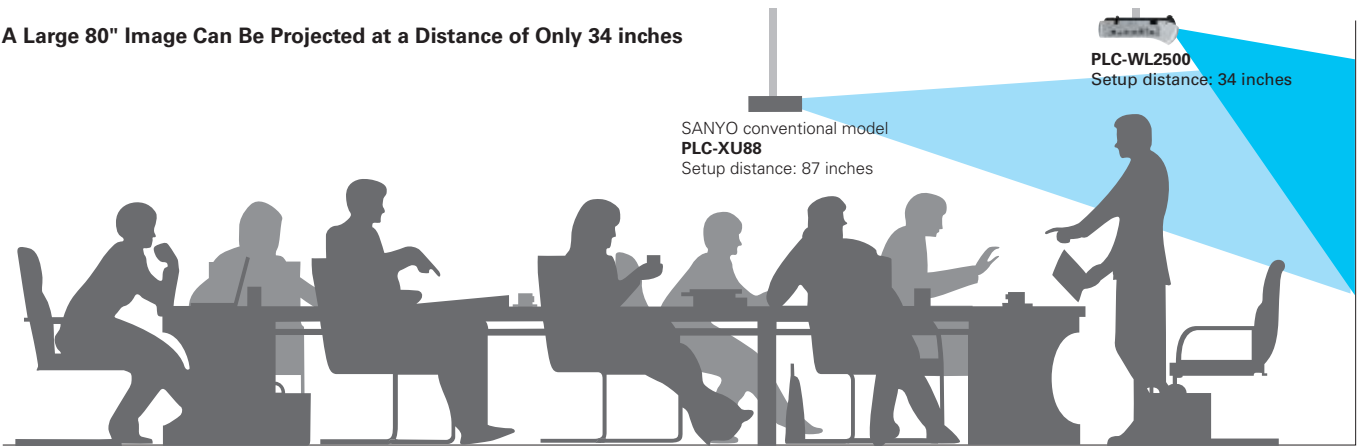


# Short throw distance ultra short-focus lens for space saving

## Equipped with an ultra short-focus lens for space saving

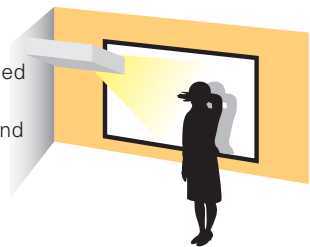
A large 80-inch image can be projected from a distance of only 34 inches. The ultra short-focus lens enables projection of a large 80-inch image from a distance of only 34 inches. This permits enjoyable large-screen presentations to be given in a shorter focal distance. In an educational setting, an instructor can show a presentation on the blackboard by simply setting up the projector on an instructor's desk at the front of the classroom. In ceiling-mount situations, the projector can be installed closer to the screen to avoid light shining in the eyes of the presenter.

### A Large 80" Image Can Be Projected at a Distance of Only 34 inches



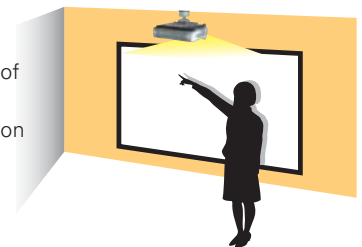
#### Previous model

- When standing in front of a projector, a presenter is dazzled by the light shining.
- A presenter blocks the light and the shadows on the screen disturb the projection.



#### PLC-WL2500

- A presenter is hardly dazzled even when standing in front of a projector.
- The shadows are hardly cast on the screen.



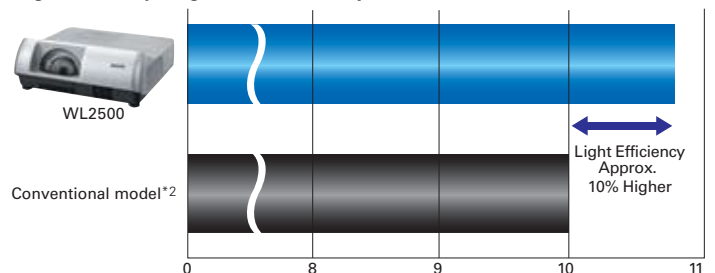
## High sound output with a 10-watt speaker

As the first SANYO projector with a high-output 10-watt speaker that produces clearer sound even in large spaces such as conference rooms and classrooms, the PLC-WL2500 can be used for multimedia presentations without the need for any external speakers or extra equipment.

## High-brightness projection of 2,500 lumens

Enough brightness and sound volume for high-impact presentations even in larger conference rooms and classrooms. With its 230-watt high-output lamp and newly developed optical engine, the PLC-WL2500 offers high-brightness projection of 2,500 lumens. Since light efficiency has been improved by about 10%\*1 compared to our conventional model\*2, the PLC-WL2500 produces brighter and more beautiful images, while saving energy and reducing environmental impact.

[Light Efficiency (Brightness (lm) / Lamp Power (W))]



### saving energy and reducing environmental impact

\* When Lamp control "Eco mode" is selected. The recommend lamp replacement period is an estimate.

\*1 Light efficiency: Brightness (lm) / Lamp output (W) \*2 SANYO conventional model: PLC-WXL46

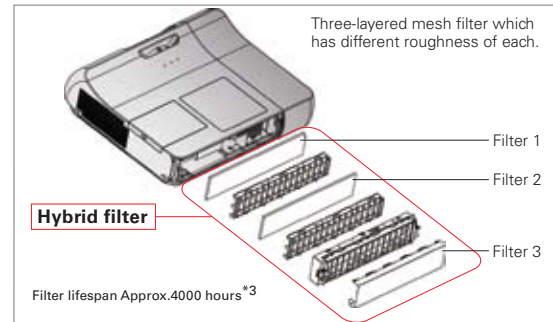
# Easy Maintenance

## Hybrid filter

Offering long periods of maintenance-free use, without the need for lamp replacement, and filter replacement only after approximately 4,000 hours - Equipped with SANYO's proprietary hybrid filter composed of multiple filter layers. The filter replacement cycle has been extended by a factor of 20 to approximately 4,000 hours\*<sup>3</sup> compared to our conventional model\*<sup>4</sup>.

\*<sup>3</sup> When in Eco mode. Calculated through the company's independent test in reference to the JIS D0207 test method. The filter replacement period is an estimate.

\*<sup>4</sup> SANYO conventional model: PLC-VXL46

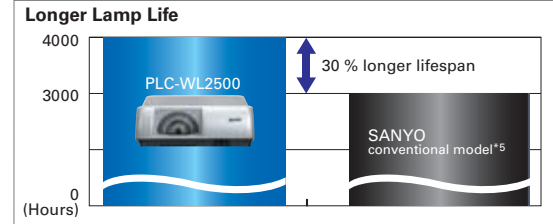


## Long-life lamp

The lamp lifespan has been improved by about 30% compared to our conventional model\*<sup>5</sup>, and does not need to be replaced for approximately 4,000 hours\*<sup>6</sup>, thereby greatly reducing the inconvenience of product maintenance. The longer lamp lifespan, also makes it more eco-friendly, with a smaller impact on the environment.

\*<sup>5</sup> SANYO conventional model: PLC-VXL46

\*<sup>6</sup> When in Eco mode. The lamp replacement cycle is an estimate, not guaranteed. It is subject to change according to the use conditions.



## Easier Replacement

Lamp replacement has been simplified to make maintenance easier, Easy removal and replacement of the lamp from the top, Of course the lamp can also be replaced easily even if the projector is ceiling mounted.

# Useful Features

## 16:10 wide-screen aspect ratio LCD panels

The adoption of a high-resolution Wide XGA panel enables projection of 16:10 aspect ratio Wide XGA (1280 x 800 dot) images. Compared to the 4:3 aspect ratio XGA (1024 x 768 dot) format, the size of the screen has been greatly expanded, enabling the display of even more information.

## HDMI Terminal

The PLC-WL2500 comes equipped with an HDMI (High Definition Multimedia Interface) terminal. It is possible to project beautiful images

## A Wired LAN Network Control function\* is included as standard equipment

A centralized management and control system can be easily configured. \* This function comes as standard equipment.

## Direct Power-off Function

The projector can be turned off by unplugging the cable without pressing the power button.

## Silence Design (29 dB, in Eco mode)

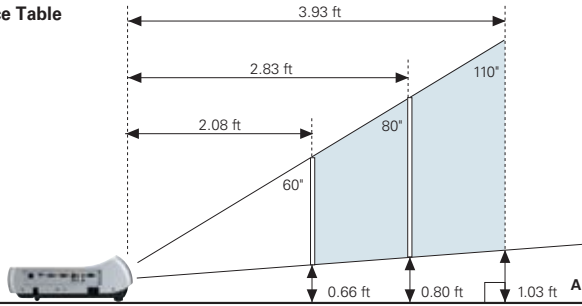
The operating noise is hardly noticeable even in quiet settings like conference or AV rooms.



**PLC-WL2500**  
**WXGA | 2500 lm**



### Throw Distance Table



### Throw Distance (Aspect ratio 16:10)

| Zoom/Focus               |         | Fixed/manual  |   |
|--------------------------|---------|---------------|---|
| Focal length f (inches)  |         | 0.3"          |   |
| F value                  |         | 1.8           |   |
| Projection light axis    |         | H1:H2         |   |
| Throw ratio (Indication) |         | 10:-1.68      |   |
| Throw ratio (Indication) |         | 0.50:1        |   |
| inch (1280x800)          | WxH(ft) | Distance (ft) | A: Height from the undersurface of the projector to the bottom of the screen (ft) |
| 60                       | 4.3x2.6 | 2.08          | 0.66  |
| 70                       | 4.9x3.0 | 2.45          | 0.73  |
| 80                       | 5.6x3.6 | 2.83          | 0.80  |
| 90                       | 6.2x3.9 | 3.19          | 0.88  |
| 100                      | 7.2x4.3 | 3.56          | 0.96  |
| 110                      | 7.9x4.9 | 3.93          | 1.03  |

\* Approximate projection distance are calculated based on lens design specification. Individual lenses may diverge from this figure by up to 5% due to slight variations in lens size and shape.

### Terminals



### Remote control

### Specifications

|                                     |   |
|-------------------------------------|---|
| Product Number                      | PLC-WL2500  |
| System                              | RGB liquid crystal shutter projection system  |
| LCD panel                           | Size: 0.59 inch x 3, Aspect Ratio: 16:10  |
| Pixel Count                         | 1,024,000 (1280 x 800) x 3; Total pixels 3,072,000  |
| Projection Lens                     | Fixed / Manual focus, f=0.3 inches, F=1.8   |
| Light Source                        | 230 W NSHA lamp   |
| Screen Size (Projection Distance)   | 60 inch (min.) - 110 inch (max.) 2.08 - 3.93 ft   |
| Brightness*1                        | 2,500 lumens*2  |
| Contrast Ratio (Full On/Full Off)*1 | 500:1*2   |
| Fan Noise                           | 29 dBA (Lamp mode "Eco")  |
| Uniformity*1                        | 80 %  |
| Color Reproducibility               | Full color (16.77 million colors)   |
| Audio Output                        | 10 W mono   |
| Scanning frequency (Input)          | Horizontal: 15 - 100 kHz, Vertical: 50 - 100 Hz, Dot Clock: 140 MHz or less (Analog)  |
| Resolution (when using RGB signal)  | 1280 x 800 dots (WUXGA dot resizing possible)   |
| PC Input / Output                   | <ul style="list-style-type: none"> <li>Digital input ; HDMI x 1 (Ver. 1.3 compatible)</li> <li>Analog RGB input ; Mini D-sub 15 x 2 (can be used for component input with a component to D-sub cable, sold separately)</li> <li>Analog RGB output ; Mini D-sub 15 x 1 (same as analog RGB input terminal)</li> <li>Audio input ; Stereo mini jack x 1 (computer/component)</li> </ul> |
| Terminals                           | <ul style="list-style-type: none"> <li>Video Input</li> <li>Video input ; RCA x 1, S-Video x 1; Audio input ; RCA x 2 (stereo)</li> <li>Controller Input/Output, and Other</li> <li>Control port ; D-sub 9 (RS-232C) x 1</li> <li>Audio output (variable) (for both computer/video) ; Stereo mini jack x 1</li> <li>Wired LAN terminal ; RJ-45 x 1</li> </ul>                         |
| Operating Temperature               | 41 - 95 °F  |
| Power Source                        | AC 100-120 V / 200-240 V (±10 %), 50/60Hz   |
| Power consumption                   | <ul style="list-style-type: none"> <li>100-120 V AC</li> <li>339.2 W / 227.4 W (Lamp mode : Normal / Eco)</li> <li>5.94 W / 0.42 W (Standby : Network / Eco)</li> <li>200-240 V AC</li> <li>316.2 W / 217.3 W (Lamp mode : Normal / Eco)</li> <li>7.9 W / 0.78 W (Standby : Network / Eco)</li> </ul>   |
| Dimensions                          | 13.5 inches (w) x 5.1 inches (h) x 15.0 inches (not including protruding parts)   |
| Weight                              | 10.1 lbs  |
| Main Accessories                    | Removable power cord x 1, D-sub 15 cable x 1, PIN code-locking seal, Owner's manual (Quick Manual & CD-ROM), Remote control x 1 (AAA battery x 2)   |

Replacement Lamp Type No. 610 349 0847

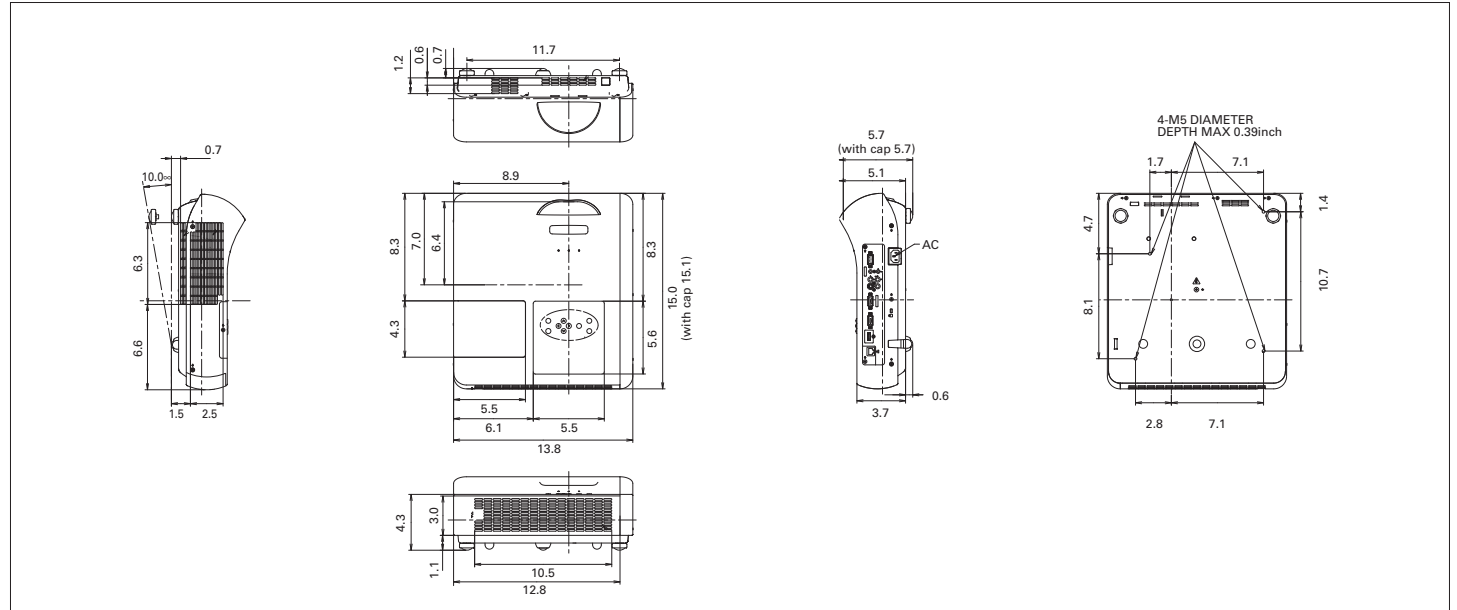
\*1 Measurement, measuring conditions, and method of notation all comply with ISO 21118 international standards.

\*2 When Lamp Mode: Normal, and Image Mode: Dynamic are selected

\* All product names and company names are trademarks or registered trademarks of their respective companies.

\* Product appearance and specifications are subject to change without notice.

### External dimensions (unit: mm (inch))



PLC-WL2500  
WXGA 2500lm



**SANYO**

SANYO Presentation Technologies

Toll free: 888-337-1215 [www.sanyoprojectors.com](http://www.sanyoprojectors.com)

© 2010 SANYO North America Corporation.