

10. MAINTENANCE

10.1 Lamp Replacement

The lifecycle of ordinary projection lamp typically lasts for 3500 hours before requiring replacement (different lamp configurations will affect lamp life). From the OSD Menu, you can go to "[page 57: Lamp Hour Reset](#)". To check how long a lamp has been used. You should also replace the lamp when the projected image gets noticeably darker. Contact your local dealer to purchase new certified lamps for your projector.



This procedure may only be performed by qualified technical service personnel.

How to replace the projector lamp

WARNING: Unplug the power cord before starting the procedure.



Keep all flammable items away from lamp

Never to remodel or disassembly on lamp housing

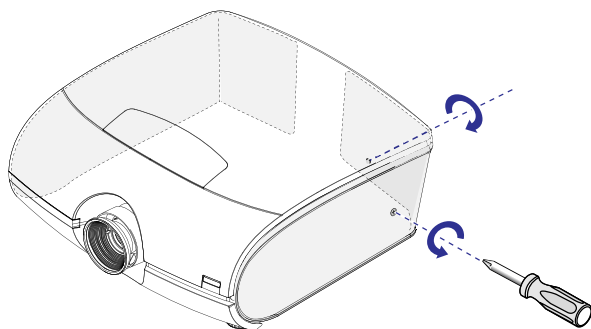
Lamp contains mercury. If lamp bursts during operation. Keep yourself in sufficiently ventilate area in order to avoid inhaling mercury.

1. Turn off the projector and unplug the power cord. Let the projector cool for approximately 60 minutes before removing the lamp module for replacement.

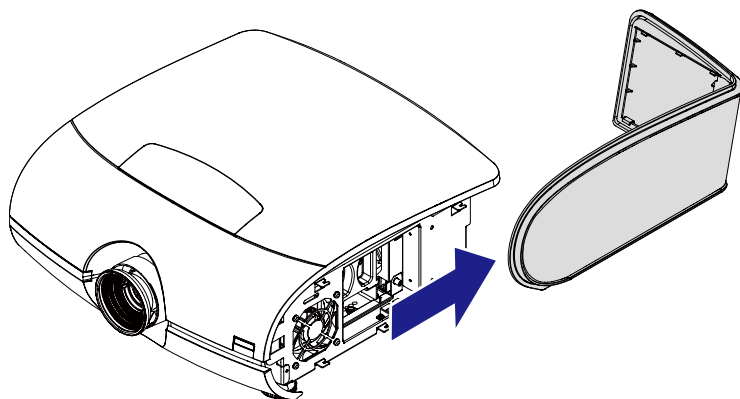


When you turn off the projector, the lamp inside the projector will still be very hot (approximately 200 ~ 300°C). If you attempt to replace the lamp without allowing the projector to cool, you could risk scalding yourself. This is why you should wait for no less than 60 minutes for the lamp to cool down in order to perform the replacement safely.

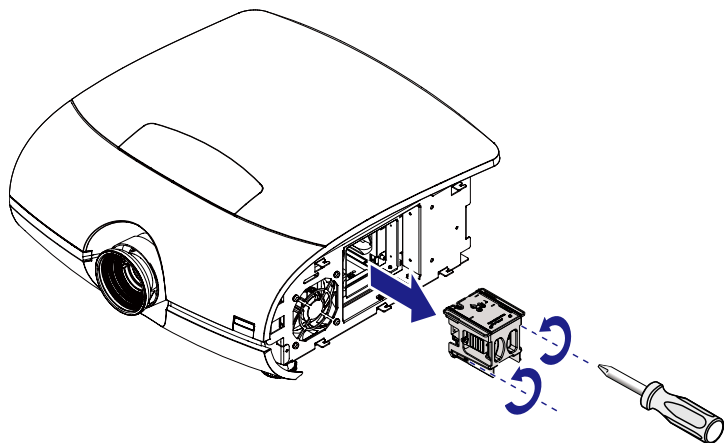
2. Loosen the screws from cover.



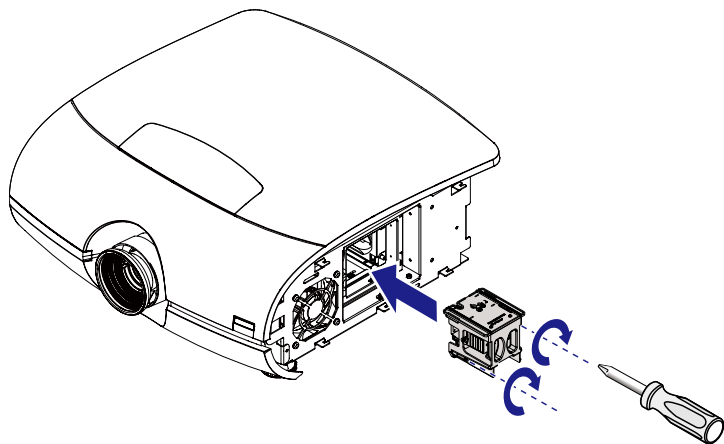
3. Pull out the right cover.



4. Use a screw driver to loosen the screws as shown in the illustration. Grasp the metal rod on the lamp cover and pull the lamp out.



5. Insert the new lamp in the direction shown in the illustration into the lamp assembly; tighten the two screws using a screw driver and make sure the lamp is firmly secured to prevent the lamp from shaking or poor contact.



6. Replace the right cover and tighten the screw.
7. Reconnect power to the projector and reset the lamp usage timer. Refer to [page 57: Lamp Hour Reset](#).