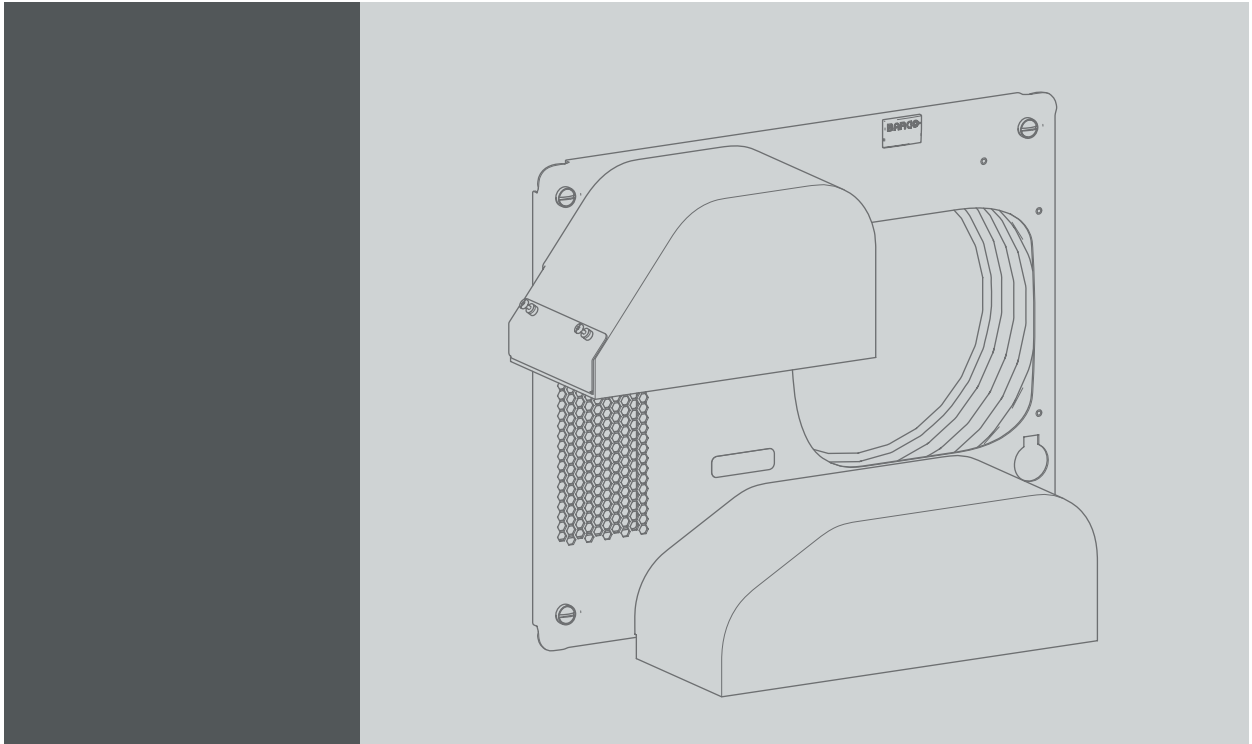


HDX Hush kit



Installation manual For HDX projector series

R9805129

Barco nv

Noordlaan 5, B-8520 Kuurne

Phone: +32 56.36.82.11

Fax: +32 56.36.883.86

Support: www.barco.com/esupport

Visit us at the web: www.barco.com

Printed in Belgium

Changes

Barco provides this manual 'as is' without warranty of any kind, either expressed or implied, including but not limited to the implied warranties or merchantability and fitness for a particular purpose. Barco may make improvements and/or changes to the product(s) and/or the program(s) described in this publication at any time without notice.

This publication could contain technical inaccuracies or typographical errors. Changes are periodically made to the information in this publication; these changes are incorporated in new editions of this publication.

The latest edition of Barco manuals can be downloaded from the Barco web site www.barco.com or from the secured Barco web site <https://www.barco.com/en/signin>.

Copyright ©

All rights reserved. No part of this document may be copied, reproduced or translated. It shall not otherwise be recorded, transmitted or stored in a retrieval system without the prior written consent of Barco.

Disposal Information

Waste Electrical and Electronic Equipment



■ This symbol on the product indicates that, under the European Directive 2012/19/EU governing waste from electrical and electronic equipment, this product must not be disposed of with other municipal waste. Please dispose of your waste equipment by handing it over to a designated collection point for the recycling of waste electrical and electronic equipment. To prevent possible harm to the environment or human health from uncontrolled waste disposal, please separate these items from other types of waste and recycle them responsibly to promote the sustainable reuse of material resources.

For more information about recycling of this product, please contact your local city office or your municipal waste disposal service.

For details, please visit the Barco website at: <http://www.barco.com/en/AboutBarco/weee>

Guarantee and Compensation

Barco provides a guarantee relating to perfect manufacturing as part of the legally stipulated terms of guarantee. On receipt, the purchaser must immediately inspect all delivered goods for damage incurred during transport, as well as for material and manufacturing faults Barco must be informed immediately in writing of any complaints.

The period of guarantee begins on the date of transfer of risks, in the case of special systems and software on the date of commissioning, at latest 30 days after the transfer of risks. In the event of justified notice of complaint, Barco can repair the fault or provide a replacement at its own discretion within an appropriate period. If this measure proves to be impossible or unsuccessful, the purchaser can demand a reduction in the purchase price or cancellation of the contract. All other claims, in particular those relating to compensation for direct or indirect damage, and also damage attributed to the operation of software as well as to other services provided by Barco, being a component of the system or independent service, will be deemed invalid provided the damage is not proven to be attributed to the absence of properties guaranteed in writing or due to the intent or gross negligence or part of Barco.

If the purchaser or a third party carries out modifications or repairs on goods delivered by Barco, or if the goods are handled incorrectly, in particular if the systems are commissioned operated incorrectly or if, after the transfer of risks, the goods are subject to influences not agreed upon in the contract, all guarantee claims of the purchaser will be rendered invalid. Not included in the guarantee coverage are system failures which are attributed to programs or special electronic circuitry provided by the purchaser, e.g. interfaces. Normal wear as well as normal maintenance are not subject to the guarantee provided by Barco either.

The environmental conditions as well as the servicing and maintenance regulations specified in the this manual must be complied with by the customer.

Trademarks

Brand and product names mentioned in this manual may be trademarks, registered trademarks or copyrights of their respective holders. All brand and product names mentioned in this manual serve as comments or examples and are not to be understood as advertising for the products or their manufacturers.

1. HDX HUSH KIT

Purpose of this upgrade kit

The HDX Hush kit is designed to reduce the noise level of the HDX projector.

Where to use

The HDX Hush kit is exclusively designed for Barco HDX projectors, such as the HDX W12, HDX W14, HDX W18 and HDX W20 FLEX.

About this document

Read this document before installing the HDX Hush kit onto the projector. It contains important information concerning installation requirements, safety related issues, minimum version of projector software, etc.

This document can be used as a guideline to upgrade the Barco projector with the HDX Hush kit and to replace the filter of an installed HDX Hush kit.

The latest version of this document can be downloaded from the Barco website www.barco.com or from the secured Barco website <https://my.barco.com>.



WARNING: Always switch off the projector and unplug the power cord before removing one of the covers, unless otherwise stated.



CAUTION: Do not transport the HDX projector with the HDX Hush kit installed. Reinstall the standard front and rear cover for transportation.



CAUTION: Do not activate the HDX Hush kit feature in case no HDX Hush kit is physically installed.

Overview

- Introduction
- Installation process

1.1 Introduction

Introduction of the HDX Hush kit

The HDX Hush kit consist in an adapted projector front cover and rear cover which air inlets and outlets are enlarged. The front cover is equipped with better sound-absorbing material. These mechanical modifications goes together with a projector software upgrade. With the HDX software package version V1.07 (or higher) installed the Hush feature can be enabled for optimal result.

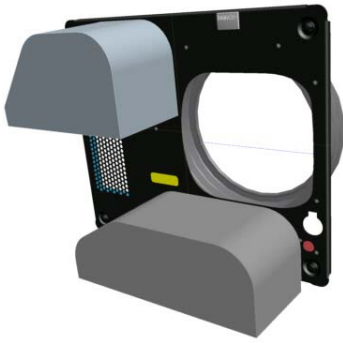


Image 1-1
HDX Hush front cover.



Image 1-2
HDX Hush rear cover.

Requirements for the HDX Hush kit

To upgrade the HDX projector with a HDX Hush kit the HDX update package version V1.07 (or higher) is required.

The latest HDX update package can be downloaded from the secured portal on the Barco web site www.barco.com.

Box content

- HDX Hush front cover (contains large high density filter).
- HDX Hush rear cover.
- HDX Hush adaptor piece.
- Installation manual (this document).

1.2 Installation process



Follow the stages in the installation process exactly. When referring to a procedure, execute this procedure and return to the installation process overview to start with the next stage.

Overview:

1. **Switch off the projector and disconnect the power cord.** See user guide of the projector for detailed instructions.
2. **Remove the lens from the projector.** See user guide of the projector for detailed instructions.
3. **Remove the projector rear cover.** See procedure "Removing the rear cover", page 5 .
4. **Remove the projector front cover.** See procedure "Removing the front cover", page 6
5. **Remove the dust filter from the projector.** See procedure "Removing the dust filter from the projector", page 7 .
6. **Install the HDX Hush adaptor piece.** See procedure "Installing the HDX Hush adapter piece", page 7 .
7. **Install the HDX Hush front cover.** See procedure "Installing the HDX Hush front cover", page 8 .
8. **Install the HDX Hush rear cover.** See procedure "Installing the HDX Hush rear cover", page 8
9. **Install the projector lens.** See user guide of the projector for detailed instructions.

10. Install the HDX update package version 1.7 (or higher). Use the Projector Toolset to install the package. See user guide of the Projector Toolset for detailed instructions.

11. Activate the HDX Hush kit. See procedure "Hush Kit activate/deactivate", page 9 .

2. INSTALLATION PROCEDURES

Overview

- Removing the rear cover
- Removing the front cover
- Removing the dust filter from the projector
- Installing the HDX Hush adapter piece
- Installing the HDX Hush front cover
- Installing the HDX Hush rear cover
- Hush Kit activate/deactivate

2.1 Removing the rear cover



WARNING: Switch off the projector and disconnect the power cord from the projector and wait a few minutes (to discharge the capacitors) prior to start with this procedure, unless otherwise specified in the procedure.

Necessary tools

7mm flat screwdriver.

How to remove the rear cover of the projector?

1. Loosen the four captive screws (reference 1 image 2-1) of the rear cover using a 7 mm flat screwdriver.
2. Remove the rear cover from the projector.

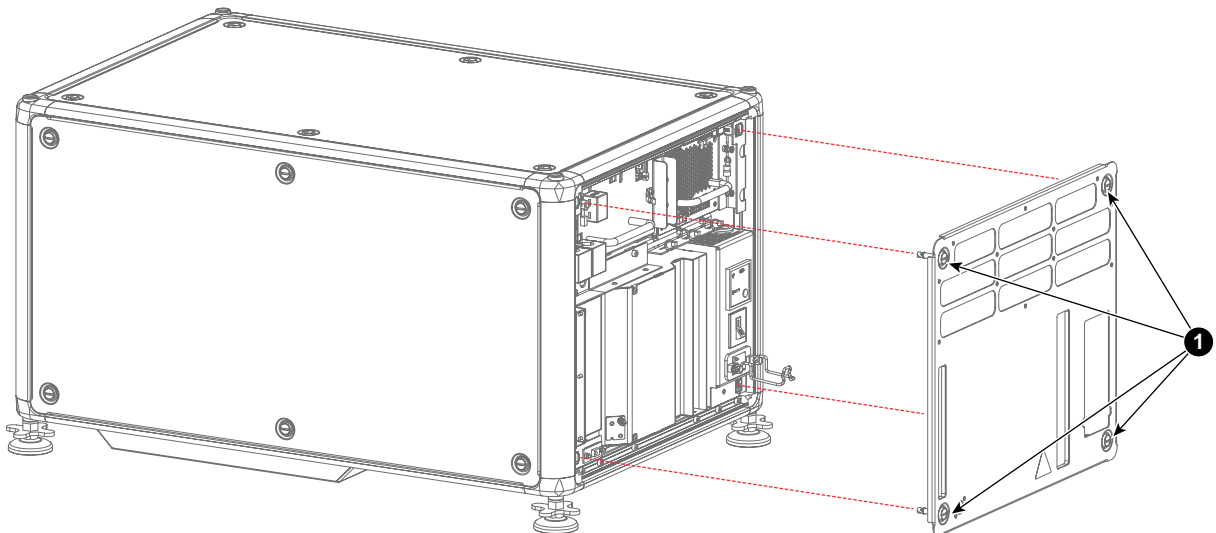


Image 2-1

2.2 Removing the front cover



WARNING: Switch off the projector and disconnect the power cord from the projector and wait a few minutes (to discharge the capacitors) prior to start with this procedure, unless otherwise specified in the procedure.

Necessary tools

7mm flat screwdriver.

How to remove the front cover of the projector?

1. Remove the lens from the projector.
2. Remove the rubber dust ring from the Lens Holder front plate.

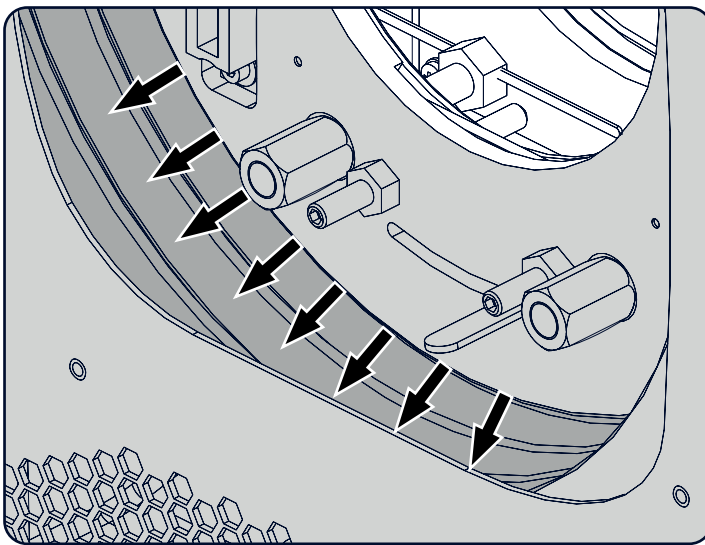


Image 2-2

3. Loosen the four captive screws (reference 1 image 2-3) of the front cover using a 7 mm flat screwdriver.
4. Remove the front cover from the projector.

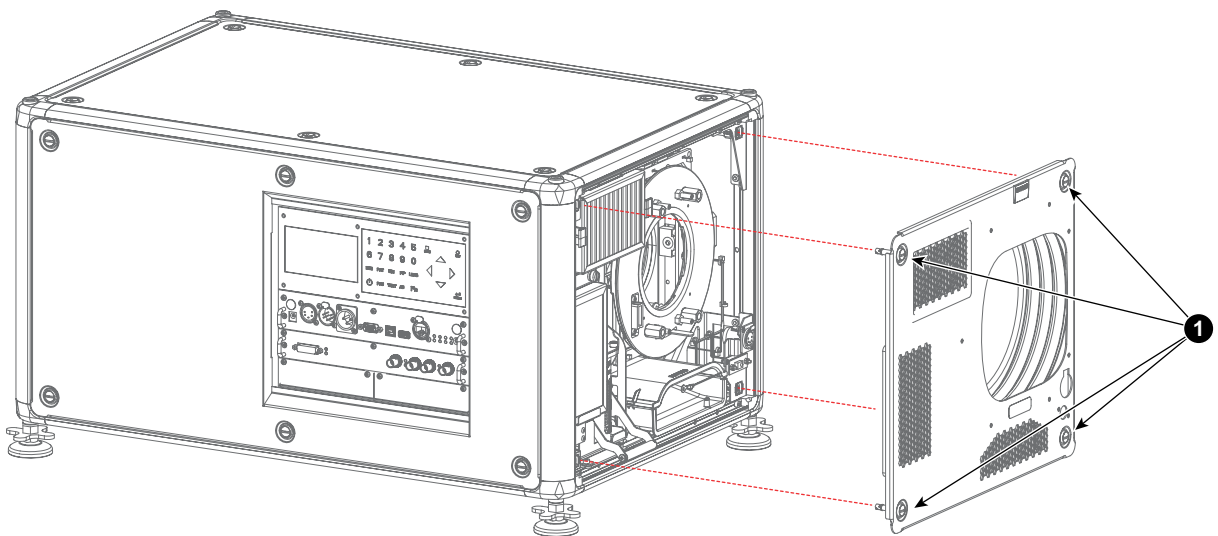


Image 2-3

2.3 Removing the dust filter from the projector

How to remove the high density dust filter from the projector?

1. Push both filter holders to the outside.
2. Take out the high density dust filter.

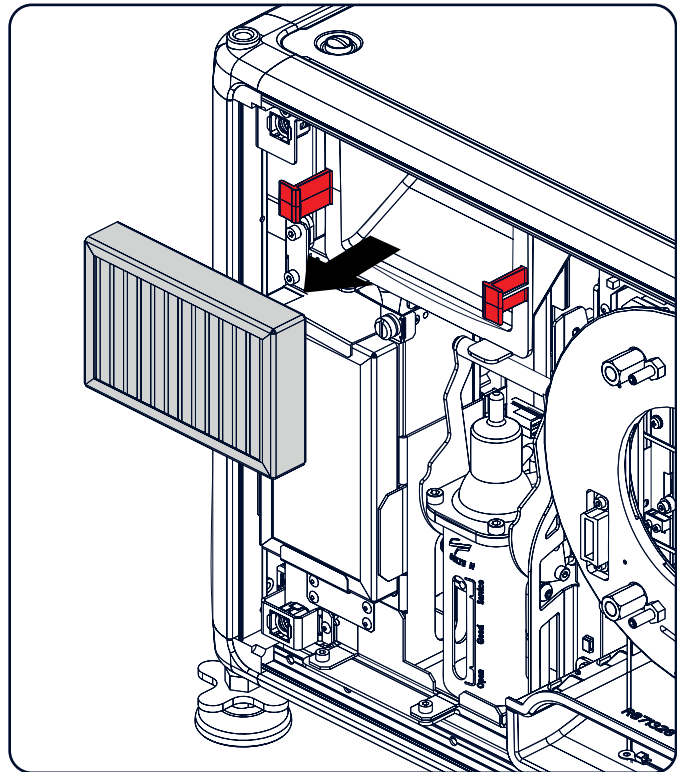
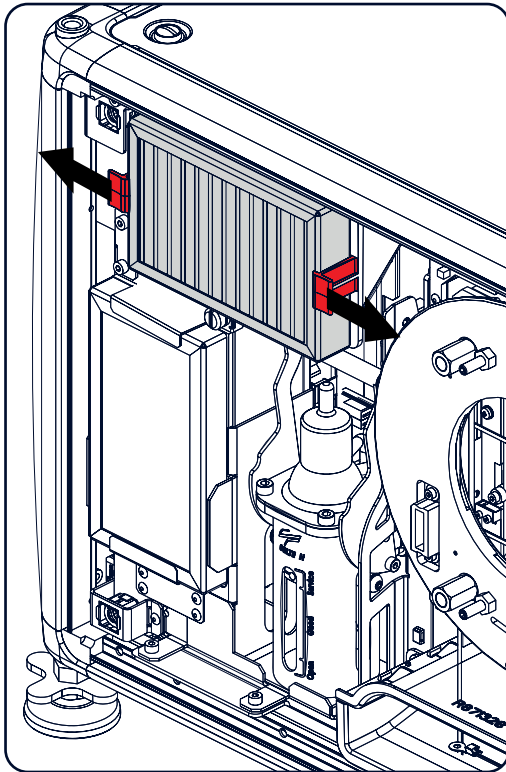


Image 2-4

2.4 Installing the HDX Hush adapter piece

How to install the HDX Hush adapter piece?

1. Place the HDX Hush adapter piece between the plastic latches as illustrated.

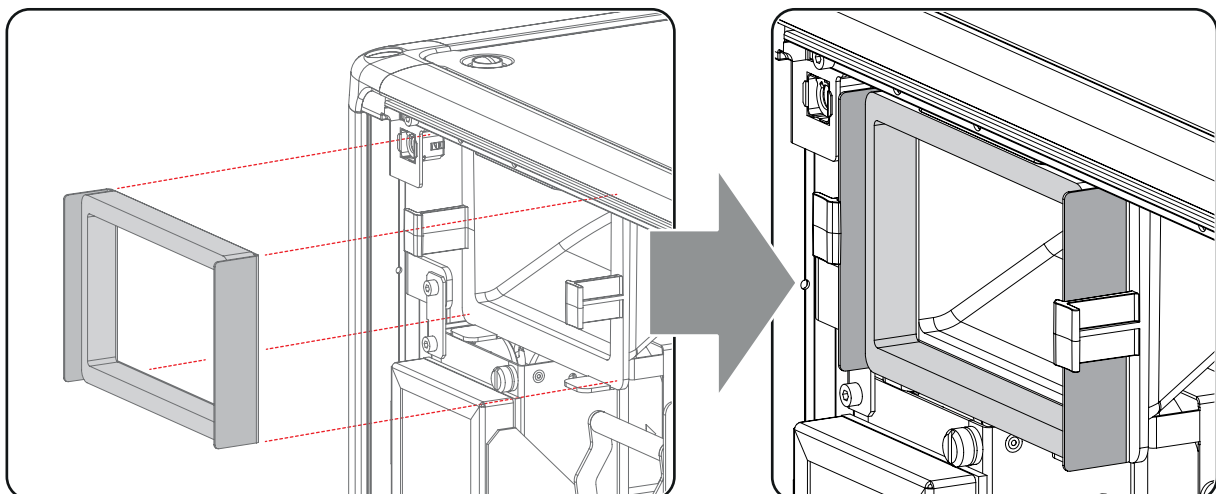


Image 2-5

2.5 Installing the HDX Hush front cover

Necessary tools

7mm flat screwdriver.

How to install the HDX Hush front cover?

1. Place the HDX Hush front cover in its place.
2. Fasten the four captive screws (reference 1 image 2-6) of the front cover using a 7mm flat screwdriver.

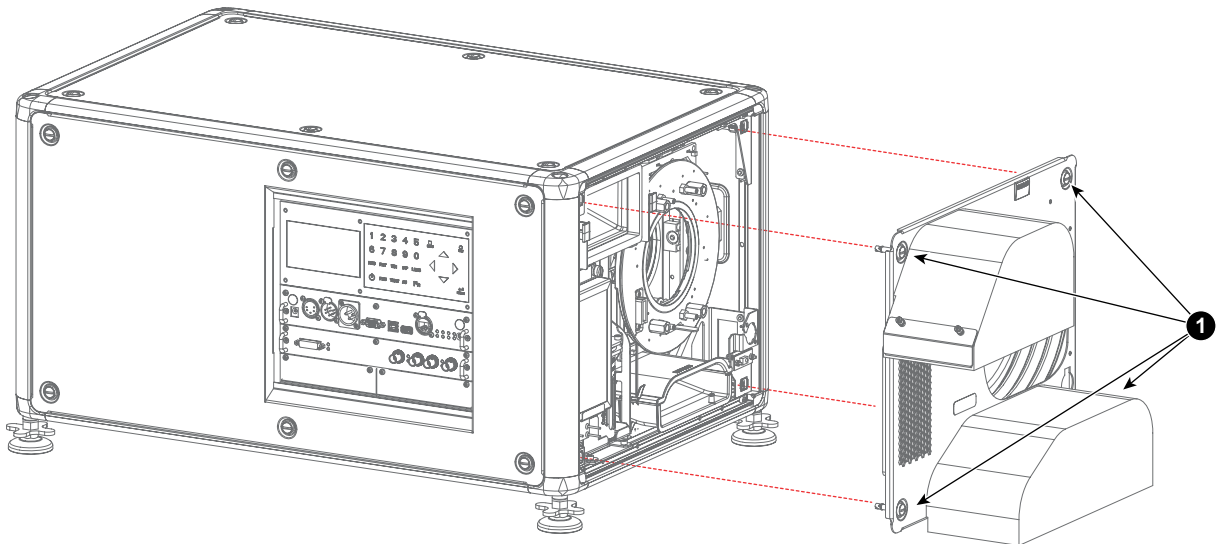


Image 2-6

3. Install the rubber dust ring around the Lens Holder front plate.

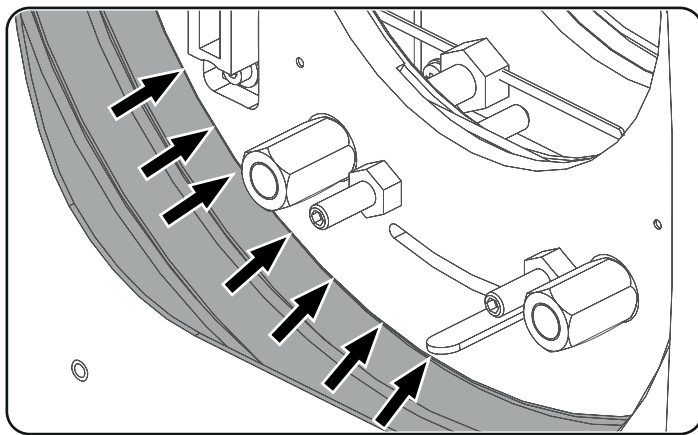


Image 2-7

2.6 Installing the HDX Hush rear cover

Necessary tools

7mm flat screwdriver.

How to install the HDX Hush rear cover?

1. Place the HDX Hush rear cover in its place.
Note: The HDX Hush rear cover can be recognized by its not painted mesh outlet. The standard rear projector cover has a black painted grid.
2. Fasten the four captive screws (reference 1 image 2-8) of the HDX Hush rear cover using a 7 mm flat screwdriver.

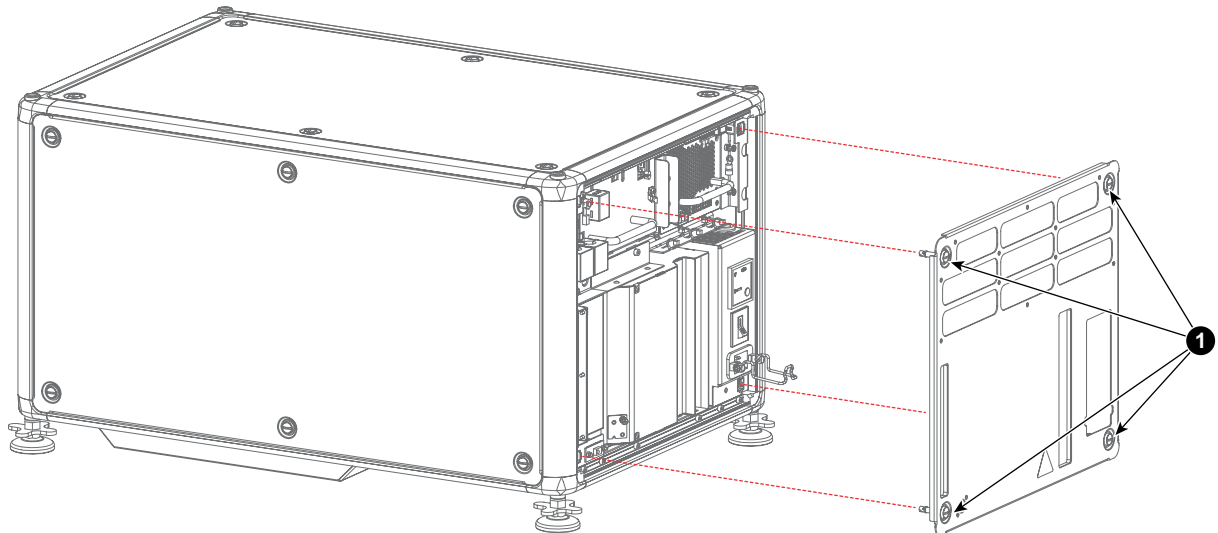


Image 2-8

2.7 Hush Kit activate/deactivate

What can be done?

Activating the Hush Kit mode makes the projector more quiet. For that the Hush Kit must be installed (adapted projector front cover and rear cover).



CAUTION: Do not activate the HDX Hush kit feature in case no HDX Hush kit is physically installed.

How to activate/deactivate the Hush Kit feature?

1. Press **Menu** to activate the menus and select *Lamp* → *Power* → *Hush Kit installed?*.

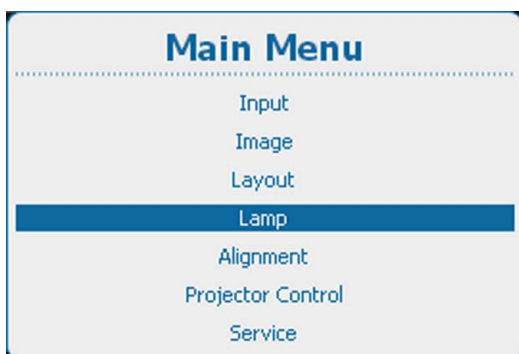


Image 2-9
Main menu, lamp

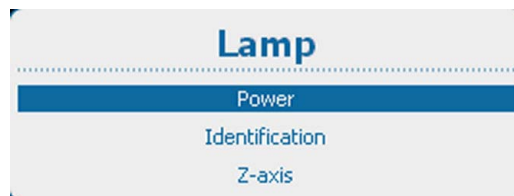


Image 2-10
Lamp, power

2. Installation procedures

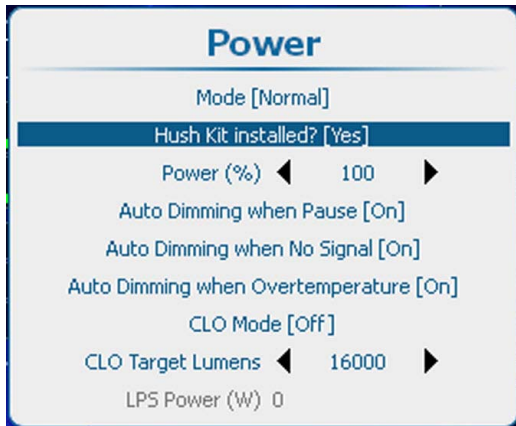


Image 2-11
Hush Kit installed?

2. Press **ENTER** to toggle between *[Yes]* and *[No]*.
3. If selected *[Yes]*, a popup window will appear to confirm that a Hush Kit is physically installed. Press YES if this is the case. NO if not.



Image 2-12
Confirm Hush Kit physical installation.



If the Hush Kit feature is activated and the projector internal temperatures exceeds the critical level the projector automatically disables the Hush Kit feature.



Activating the Hush Kit feature in the software has no influence on the projector sound level in case the projector operates in ECO mode.

3. MAINTENANCE

3.1 Replacing the dust filter of the HDX Hush kit



CAUTION: The high density filter must be replaced on a regular basis, depending on the environment conditions of the projector.



WARNING: Switch off the projector and unplug the power cord before starting the procedure.

Necessary tools

Torx TX10 or flat screwdriver.

Necessary parts

New high density filter for HDX Hush kit (Order No.: R842331K).

How to replace the high density dust filter of the HDX Hush kit?

1. Release the two retaining screws (reference 1 image 3-1). Use a Torx TX10 or flat screwdriver.
2. Pull out the container with high density dust filter.

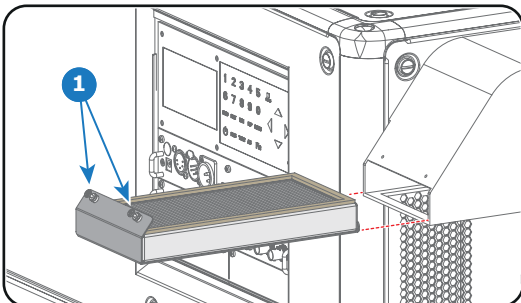


Image 3-1

3. Remove the high density dust filter (reference 2 image 3-2) from the container (reference 3 image 3-2).

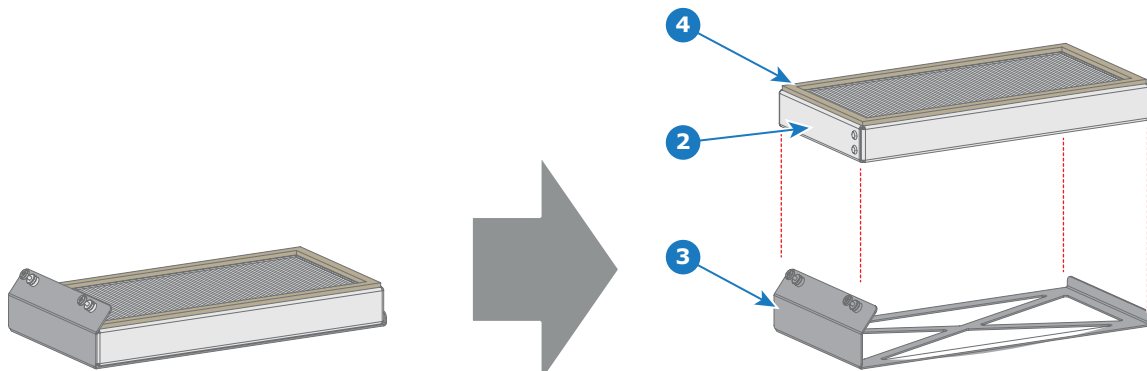


Image 3-2

3. Maintenance

4. Insert a new high density dust filter in the container.

Caution: *Ensure to position the high density dust filter with the foam (reference 4 image 3-2) upwards oriented (foam away from the air inlet side).*

5. Slide the container with high density dust filter into the HDX Hush kit.

6. Fasten the two retaining screws (reference 1 image 3-1). Use a Torx TX10 or flat screwdriver.



CAUTION: Never clean the filter Always replace with a new one.
