

# OPTION LENS H LENS 2.8-4.5 Lens Mounting Manual

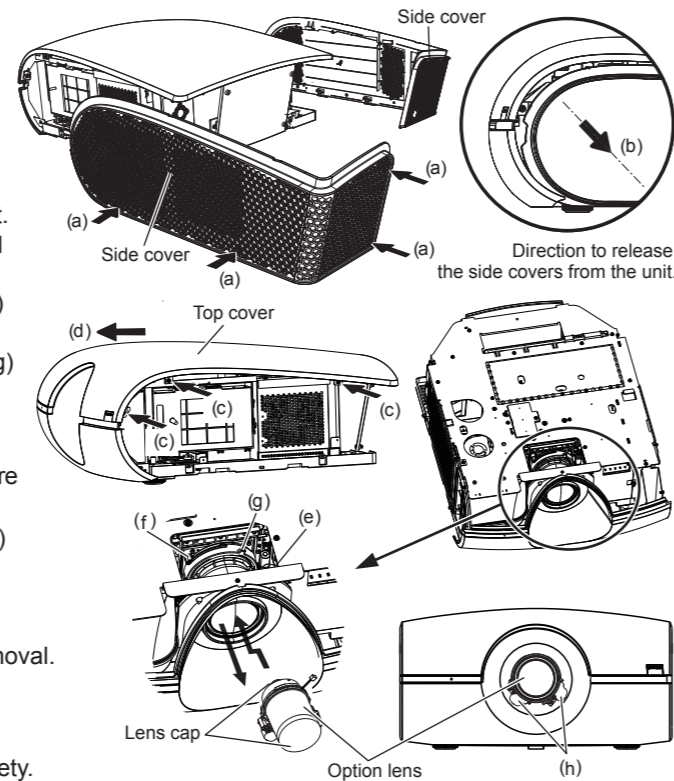
ENGLISH

- Lens mounting must be performed by service personnel.
- Check that the lens shift is at the factory default position (or the lens shift reset position) before mounting the option lens.
- Be sure to turn off the projector and unplug the power cord from the wall outlet before mounting the option lens.

## Lens mounting procedure

Mount the option lens using the following procedure.

1. Loosen the four screws (a) of the Side cover and release the Side cover in the direction of the arrow (b) from the unit. Release the Side cover of the left and right.
2. Remove the six screws (c) securing the Top cover. (There are three screws each on the left and right.) Release the Top cover in the direction of the arrow (d) from the unit.
3. Release the connector (e) for the zoom/focus motor of the standard lens.
4. While holding down the lock button (f), slightly turn the fixed ring (g) counterclockwise to release the lock.
5. While holding the lens to prevent it from falling, turn the fixed ring (g) fully counterclockwise to unlock the lens.
6. Remove the standard lens in the arrow's direction.
7. Attach the option lens in the arrow's direction so that the motors (h) are positioned as shown by the figure. (Remove the lens caps before attaching the option lens.)
8. Turn the fixed ring (g) until it is put into place (and the lock button (f) clicks into place) to secure it.
9. Lock the connector for the zoom/focus motor of the option lens.
10. Mount the top cover in the reverse order of removal.
11. Mount the side cover of the left and right in the reverse order of removal.



## Check after mounting the lens

After replacing the lens, be sure to check the following for ensuring safety.

- Check that the connector for the zoom/focus motor is locked securely.
- Check that no lead wires are caught in mechanical parts.

## Cautions after mounting

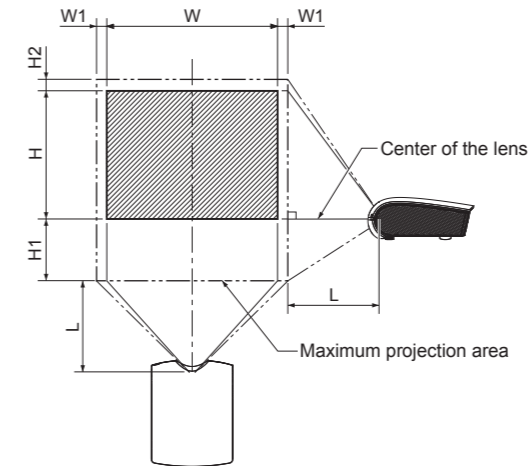
- Do not transport the projector with the option lens mounted. The projector may be damaged.
- With the option lens mounted, the brightness, resolution, and color uniformity in the projected image may differ from those with the standard lens.
- With the option lens mounted, the adjustable angle in the keystone adjustment differs from that with the standard lens.
- In the keystone adjustment with the option lens mounted, the proper aspect ratio may not be obtained.
- Projected images may become distorted, have decreased resolution, or have shadows at their corners if they are positioned close to the top (or bottom in the case of a ceiling-mount projector) or right or left edge of the effective projection area shown on the right.
- For details about ZOOM/FOCUS adjustment and LENS SHIFT LOCK, see User Manual of the projector.

**Be careful not to be caught in the opening in the lens while the lens is moving.**

## Specifications

F No. F2.2-2.7  
Focal distance f = 40.7-65.1 mm  
Zoom/focus Electrical drive

## Screen size and projection distance



### XGA model

Diagonal size	Screen size (4:3)				Projection distance (L)				Lens shift height				Lens shift width (W1)		
	Width (W)		Height (H)		Shortest (Wide)		Longest (Tele)		H1		H2		inch	cm	
inch	cm	inch	cm	inch	cm	inch	m	inch	m	inch	cm	inch	cm	inch	cm
40	102	32	81	24	61	-	-	148	3.8	12	30	2	6	3	8
60	152	48	122	36	91	136	3.5	224	5.7	18	46	3	9	5	12
80	203	64	163	48	122	183	4.7	301	7.6	24	61	4	11	6	16
100	254	80	203	60	152	230	5.8	377	9.6	30	76	6	14	8	20
150	381	120	305	90	229	348	8.8	568	14.4	45	114	8	21	12	30
200	508	160	406	120	305	465	11.8	759	19.3	60	152	11	28	16	41
250	635	200	508	150	381	583	14.8	951	24.1	75	191	14	36	20	51
300	762	240	610	180	457	701	17.8	1142	29.0	90	229	17	43	24	61

### WXGA model

Diagonal size	Screen size (16:10)				Projection distance (L)				Lens shift height				Lens shift width (W1)		
	Width (W)		Height (H)		Shortest (Wide)		Longest (Tele)		H1		H2		inch	cm	
inch	cm	inch	cm	inch	cm	inch	m	inch	m	inch	cm	inch	cm	inch	cm
40	102	34	86	21	54	-	-	159	4.0	10	25	5	12	3	9
60	152	51	129	32	81	147	3.7	241	6.1	15	37	7	17	5	13
80	203	68	172	42	108	197	5.0	323	8.2	19	49	9	23	7	17
100	254	85	215	53	135	248	6.3	406	10.3	24	62	11	29	9	22
150	381	127	323	79	202	374	9.5	611	15.5	36	92	17	43	13	33
200	508	170	431	106	269	500	12.7	816	20.7	49	123	23	58	17	44
250	635	212	538	132	337	627	15.9	1021	25.9	61	154	28	72	21	55
300	762	254	646	159	404	753	19.1	1227	31.2	73	185	34	86	26	65

### WUXGA model

Diagonal size	Screen size (16:10)				Projection distance (L)				Lens shift height				Lens shift width (W1)		
	Width (W)		Height (H)		Shortest (Wide)		Longest (Tele)		H1		H2		inch	cm	
inch	cm	inch	cm	inch	cm	inch	m	inch	m	inch	cm	inch	cm	inch	cm
40	102	34	86	21	54	-	-	151	3.8	10	26	4	10	3	8
60	152	51	129	32	81	139	3.5	229	5.8	15	39	6	15	5	12
80	203	68	172	42	108	187	4.8	308	7.8	21	52	8	20	7	17
100	254	85	215	53	135	235	6.0	386	9.8	26	66	10	25	8	21
150	381	127	323	79	202	355	9.0	581	14.8	39	98	15	37	12	31
200	508	170	431	106	269	475	12.1	776	19.7	52	131	20	50	16	42
250	635	212	538	132	337	595	15.1	972	24.7	65	164	24	62	20	52
300	762	254	646	159	404	716	18.2	1167	29.6	77	197	29	75	25	62

- The above numbers are approximate and may be slightly different from the actual measurements.
- The lens shift height and width show distances from the factory default position.