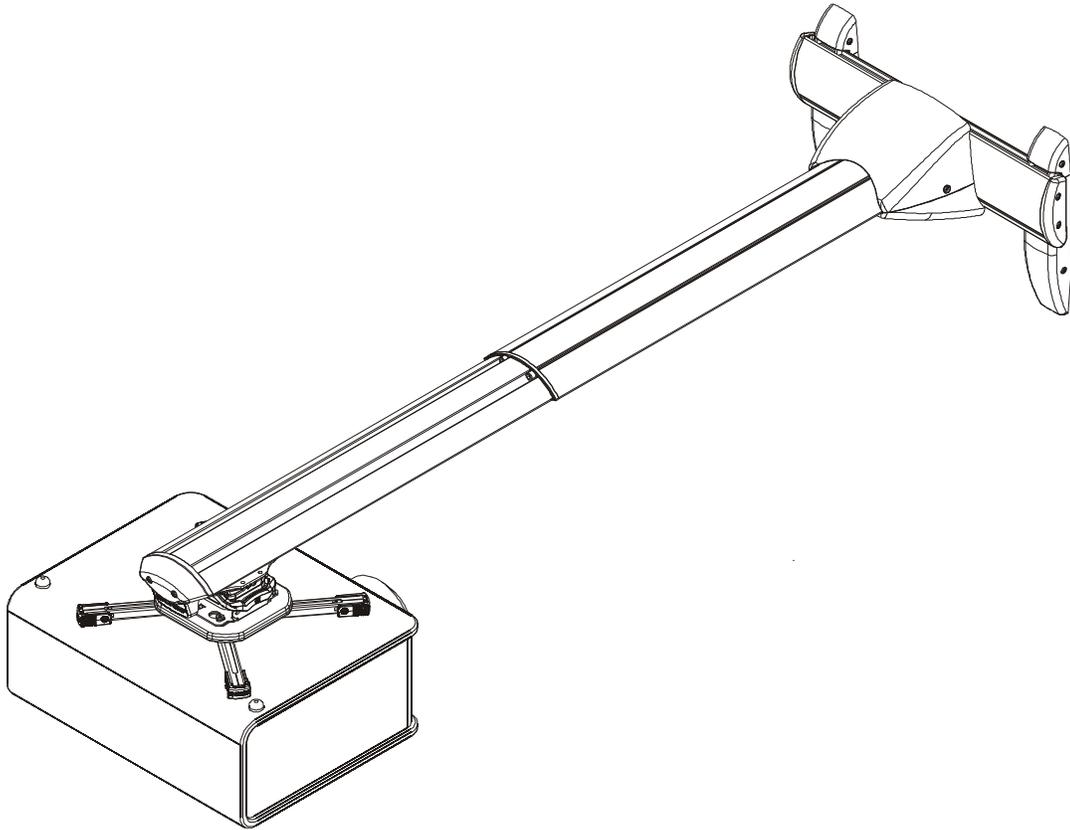

INSTALLATION INSTRUCTIONS



Dual Stud Short Throw Wall Mounts

InFocus

PRJ-WALLKIT-12

DISCLAIMER

InFocus and its affiliated corporations and subsidiaries (collectively "InFocus"), intend to make this manual accurate and complete. However, InFocus makes no claim that the information contained herein covers all details, conditions or variations, nor does it provide for every possible contingency in connection with the installation or use of this product. The information contained in this document is subject to change without notice or obligation of any kind. InFocus makes no representation of warranty, expressed or implied, regarding the information contained herein. InFocus assumes no responsibility for accuracy, completeness or sufficiency of the information contained in this document.

! IMPORTANT SAFETY INSTRUCTIONS

! WARNING: A WARNING alerts you to the possibility of serious injury or death if you do not follow the instructions.

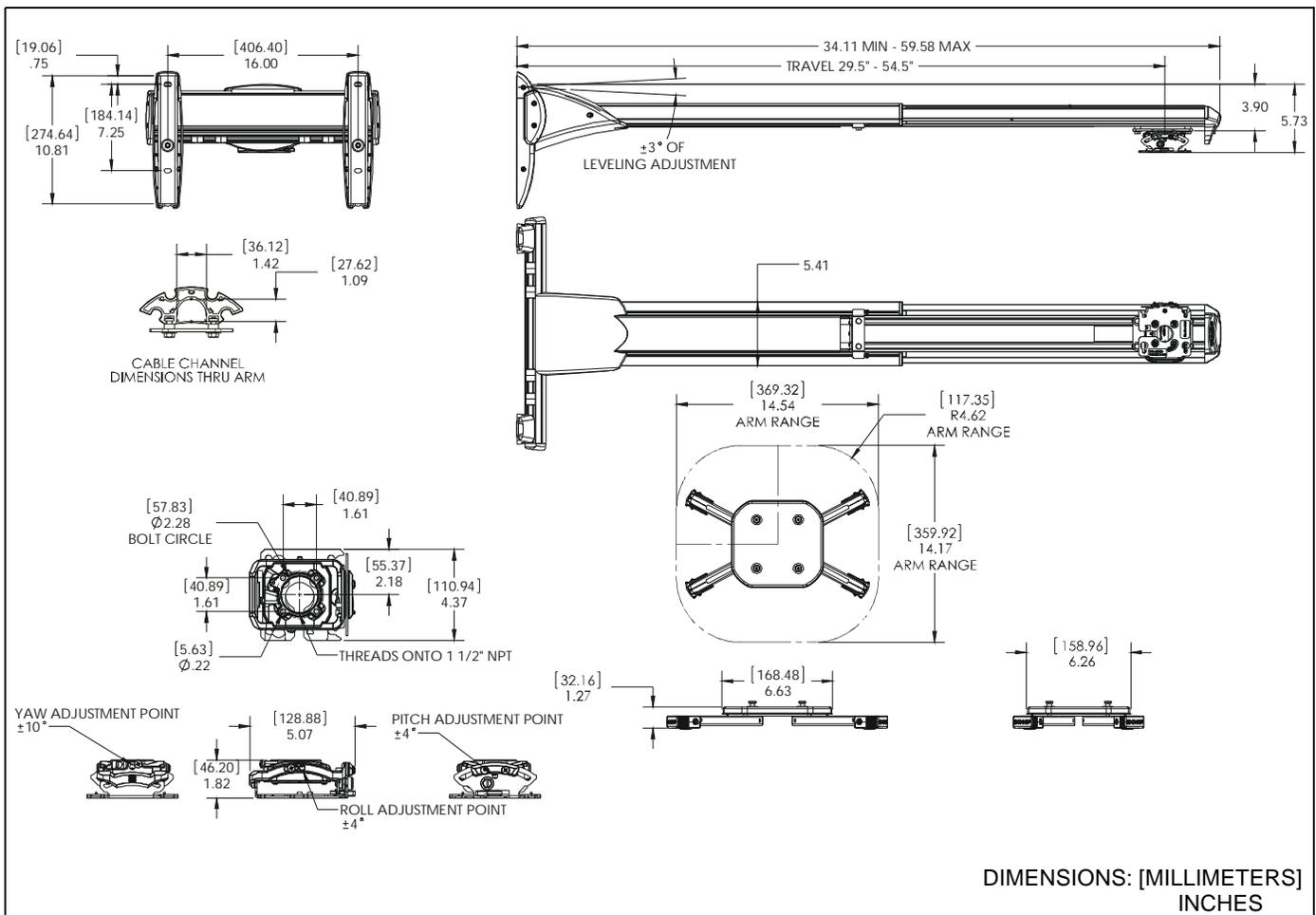
! CAUTION: A CAUTION alerts you to the possibility of damage or destruction of equipment if you do not follow the corresponding instructions.

! WARNING: Failure to read, thoroughly understand, and follow all instructions can result in serious personal injury, damage to equipment, or voiding of factory warranty! It is the installer's responsibility to make sure all components are properly assembled and installed using the instructions provided.

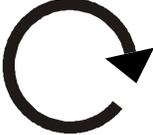
! WARNING: Failure to provide adequate structural strength for this component can result in serious personal injury or damage to equipment! It is the installer's responsibility to make sure the structure to which this component is attached can support five times the combined weight of all equipment. Reinforce the structure as required before installing the component.

! WARNING: Exceeding the weight capacity can result in serious personal injury or damage to equipment! It is the installer's responsibility to make sure the combined weight of all components attached to the short throw projector mounts up to (and including) the projector does not exceed 25 lbs (11.34 kg) for the PRJ-WALLKIT-12.

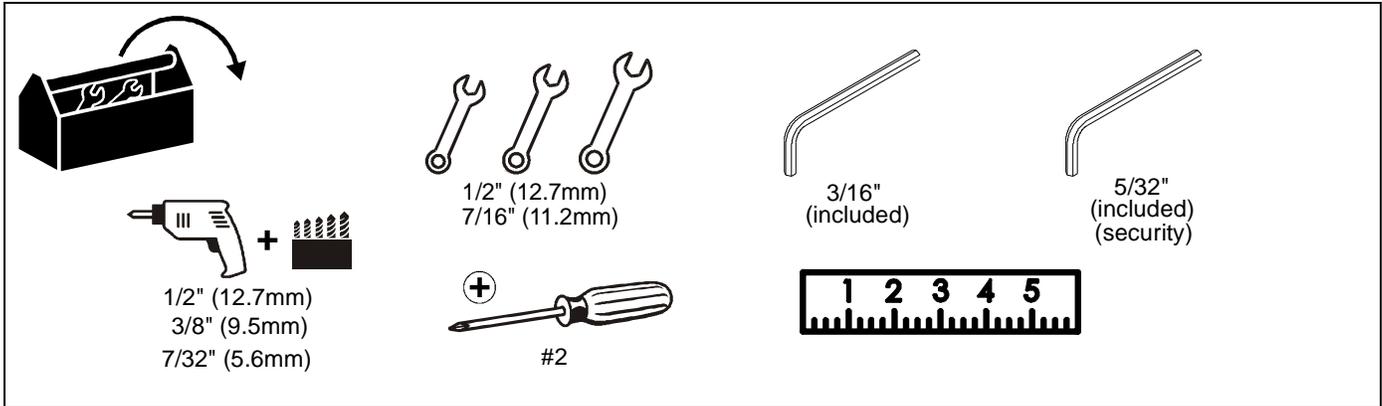
DIMENSIONS



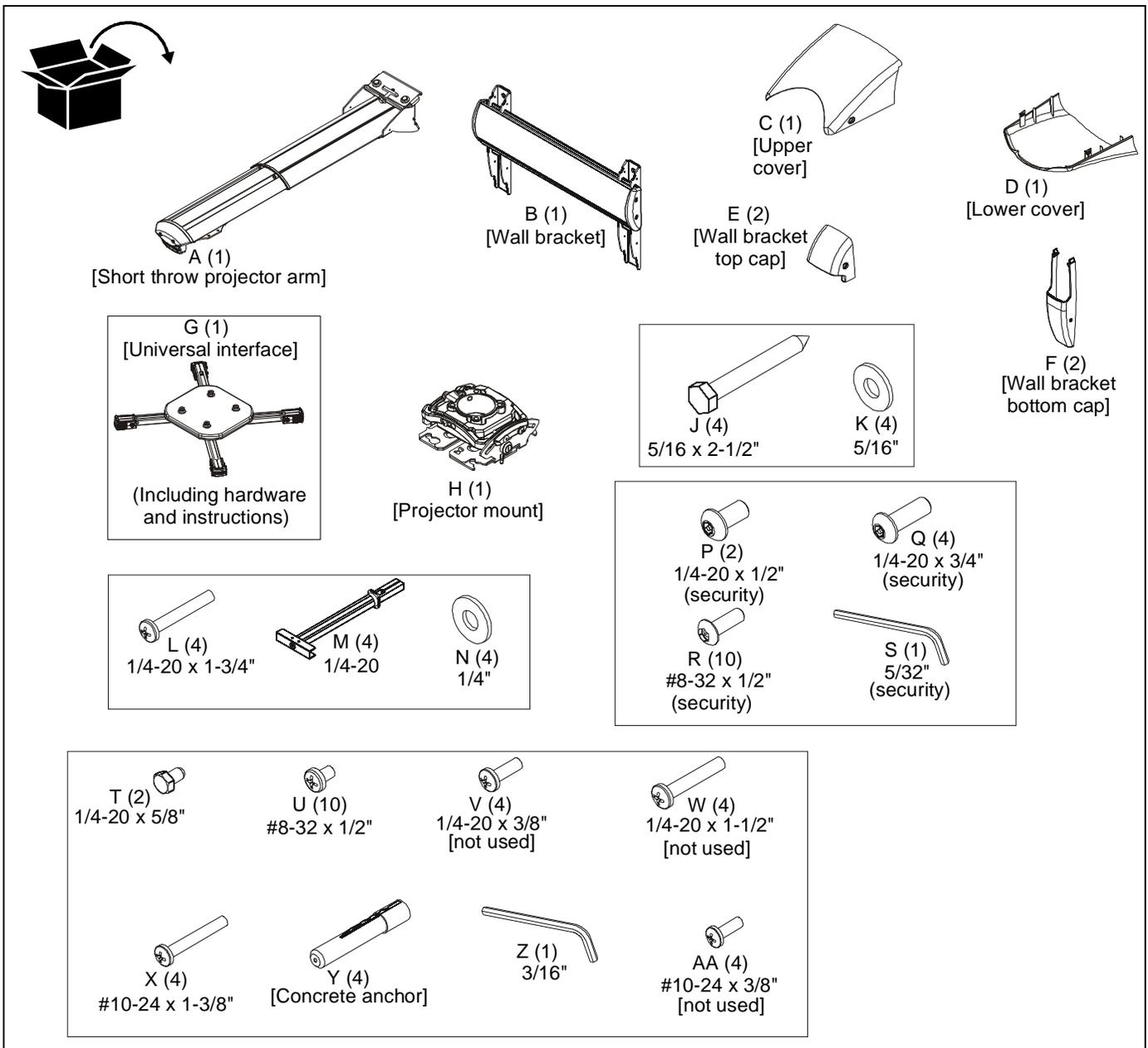
LEGEND

| | | | |
|---|--|--|--|
|  | <p>Tighten Fastener</p> <p>Apretar elemento de fijación</p> <p>Befestigungsteil festziehen</p> <p>Apertar fixador</p> <p>Serrare il fissaggio</p> <p>Bevestiging vastdraaien</p> <p>Serrez les fixations</p> |  | <p>Pencil Mark</p> <p>Marcar con lápiz</p> <p>Stiftmarkierung</p> <p>Marcar com lápis</p> <p>Segno a matita</p> <p>Potloodmerkteken</p> <p>Marquage au crayon</p> |
|  | <p>Loosen Fastener</p> <p>Aflojar elemento de fijación</p> <p>Befestigungsteil lösen</p> <p>Desapertar fixador</p> <p>Allentare il fissaggio</p> <p>Bevestiging losdraaien</p> <p>Desserrez les fixations</p> |  | <p>Drill Hole</p> <p>Perforar</p> <p>Bohrloch</p> <p>Fazer furo</p> <p>Praticare un foro</p> <p>Gat boren</p> <p>Percez un trou</p> |
|  | <p>Phillips Screwdriver</p> <p>Destornillador Phillips</p> <p>Kreuzschlitzschraubendreher</p> <p>Chave de fendas Phillips</p> <p>Cacciavite a stella</p> <p>Kruiskopschroevendraaier</p> <p>Tournevis à pointe cruciforme</p> |  | <p>Adjust</p> <p>Ajustar</p> <p>Einstellen</p> <p>Ajustar</p> <p>Regolare</p> <p>Afstellen</p> <p>Ajuster</p> |
|  | <p>Open-Ended Wrench</p> <p>Llave de boca</p> <p>Gabelschlüssel</p> <p>Chave de bocas</p> <p>Chiave a punte aperte</p> <p>Steeksleutel</p> <p>Clé à fourche</p> |  | <p>Remove</p> <p>Quitar</p> <p>Entfernen</p> <p>Remover</p> <p>Rimuovere</p> <p>Verwijderen</p> <p>Retirez</p> |
|  | <p>By Hand</p> <p>A mano</p> <p>Von Hand</p> <p>Com a mão</p> <p>A mano</p> <p>Met de hand</p> <p>À la main</p> |  | <p>Optional</p> <p>Opcional</p> <p>Optional</p> <p>Opcional</p> <p>Opzionale</p> <p>Optie</p> <p>En option</p> |
|  | <p>Hex-Head Wrench</p> <p>Llave de cabeza hexagonal</p> <p>Sechskantschlüssel</p> <p>Chave de cabeça sextavada</p> <p>Chiave esagonale</p> <p>Zeskantsleutel</p> <p>Clé à tête hexagonale</p> |  | <p>Security Wrench</p> <p>Llave de seguridad</p> <p>Sicherheitsschlüssel</p> <p>Chave de segurança</p> <p>Chiave di sicurezza</p> <p>Veiligheidsleutel</p> <p>Clé de sécurité</p> |

TOOLS REQUIRED FOR INSTALLATION



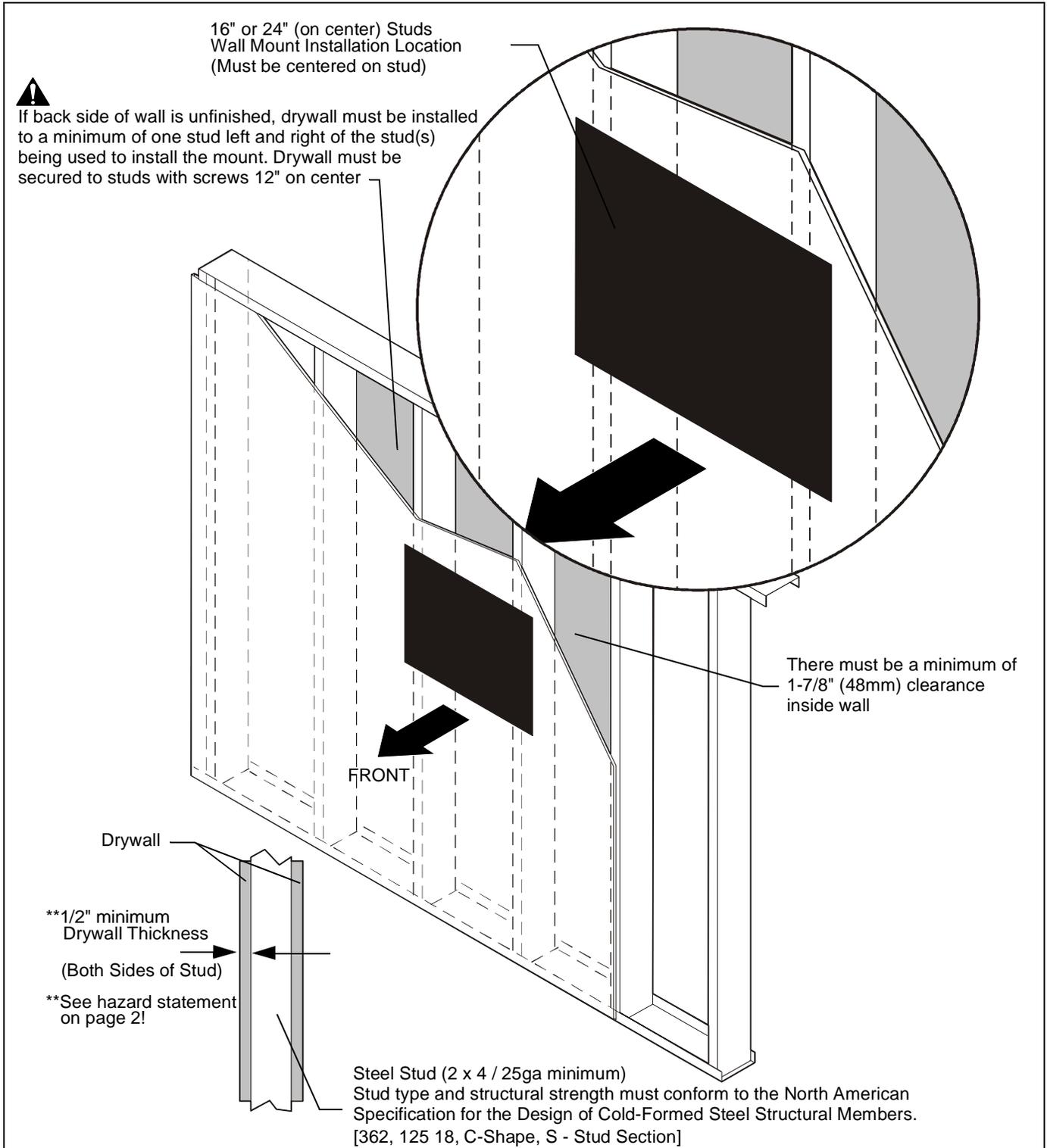
PARTS



Site Requirements



WARNING: IMPROPER INSTALLATION CAN LEAD TO EQUIPMENT FALLING CAUSING SERIOUS PERSONAL INJURY OR DAMAGE TO EQUIPMENT! The figure below identifies the minimum requirements for installation of display mounts onto a steel stud structure. If the structure or its components do not meet these requirements contact the mount manufacturer for specific instructions before attempting installation. It should also be noted that no other equipment should be mounted to the same stud.



Assembly and Installation

The PRJ-WALLKIT-12 short throw projector mounts can be mounted to concrete, concrete block, wood studs or steel studs. They can be mounted to studs up to 16" apart. For studs more than 16" apart, the PRJ-WALLADPT-24 accessory (not evaluated and tested by Underwriters Laboratories®) can be used to mount projector.

Mounting Wall Bracket



WARNING: ELECTRICAL SHOCK HAZARD! CUTTING OR DRILLING INTO ELECTRICAL CORDS OR CABLES CAN CAUSE DEATH OR SERIOUS PERSONAL INJURY! ALWAYS make certain area behind mounting surface is free of electrical wires and cables before cutting, drilling, or installing fasteners.



WARNING: EXPLOSION AND FIRE HAZARD! CUTTING OR DRILLING INTO GAS PLUMBING CAN CAUSE DEATH OR SERIOUS PERSONAL INJURY! ALWAYS make certain area behind mounting surface is free of gas, water, waste, or any other plumbing before cutting, drilling, or installing fasteners.

Concrete or Concrete Block

1. Determine mounting location on wall.
2. Using mounting bracket (B) as a template, mark four holes at the holes in bracket. (See Figure 1)
3. Drill four 3/8" x 3-3/8" deep holes at marked locations in wall. (See Figure 1)

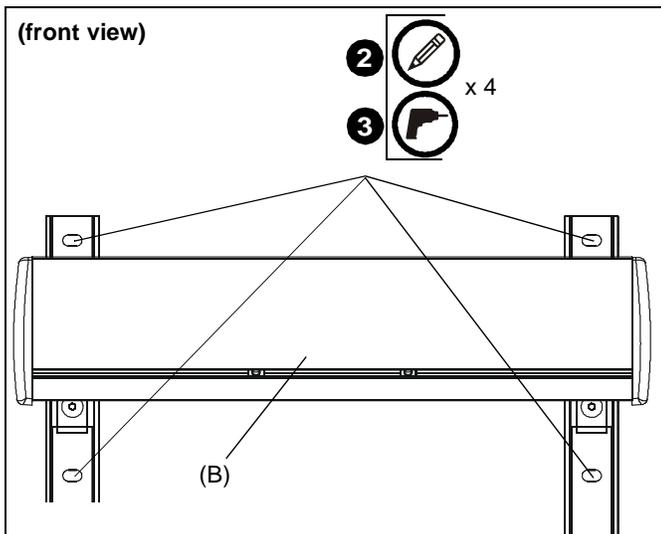


Figure 1

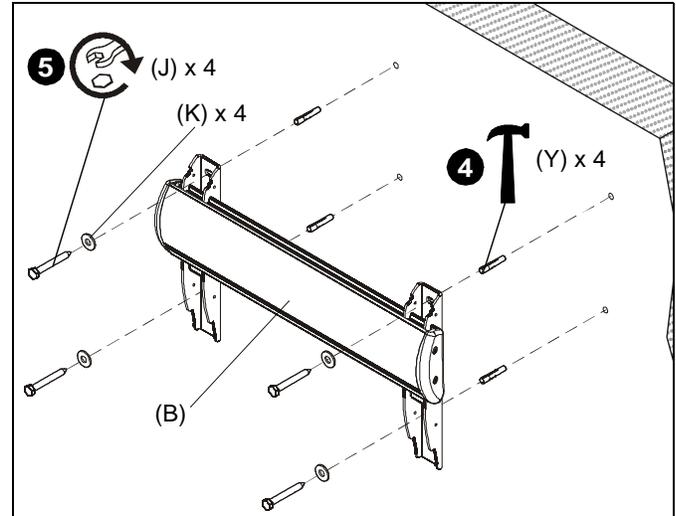


Figure 2

Wood Studs

1. Determine mounting location on wall. Use a stud finder to locate studs. For studs less than 16" apart, mounting brackets will have to be adjusted. See **Adjustments** section for details.
2. Line up inner four holes on mounting bracket (B) with center of studs at desired mounting location. (See Figure 3)
3. Using mounting bracket (B) as a template, mark four holes at the holes in bracket. (See Figure 3)
4. Drill four 7/32" x 2-1/2" deep holes at marked locations in wall. (See Figure 3)

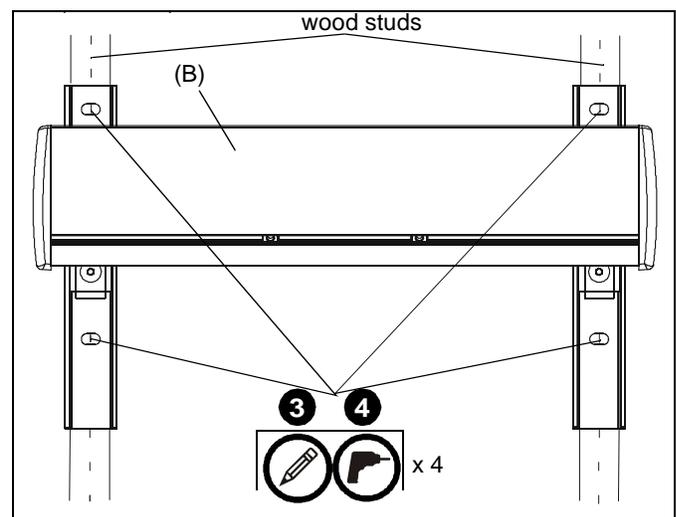


Figure 3

4. Install four concrete anchors (Y) into drilled holes. (See Figure 2)
5. Install four 5/16 x 2-1/2" hex head lag screws (J) through four 5/16" washers (K), outer holes of mounting bracket (B) and into concrete anchors (Y). (See Figure 2)

5. Install four 5/16 x 2-1/2" hex head lag screws (J) through four 5/16" washers (K), holes of mounting bracket and into drilled holes. (See Figure 4)

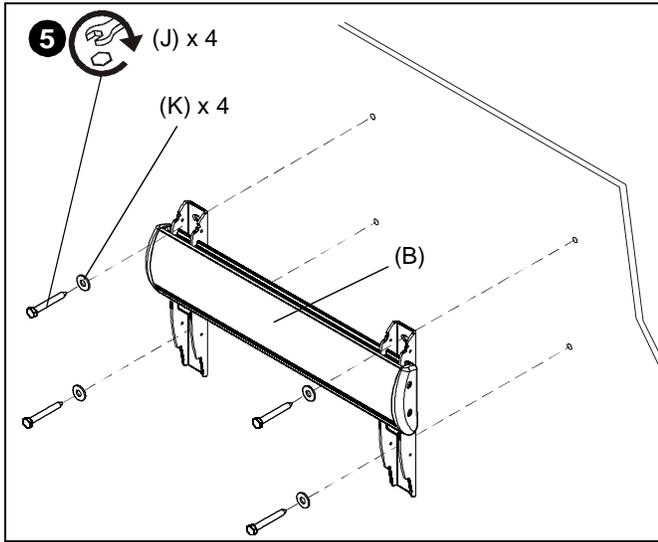


Figure 4

Steel Studs

IMPORTANT ! : See **Site Requirements** section before proceeding with Steel Studs installation to ensure installation site meets requirements! The drywall must have a minimum thickness of 1/2"!

1. Determine mounting location on wall. Use stud finder to locate steel studs. For studs less than 16" apart, wall bracket will have to be adjusted. See appropriate **Adjustments** section for details.
2. Line up four holes on wall bracket with center of studs at desired mounting location. (See Figure 5)
3. Using wall bracket as a template, mark four holes at the inner four holes in bracket. (See Figure 5)
4. Drill four 1/2" holes at marked locations in wall. (See Figure 5)

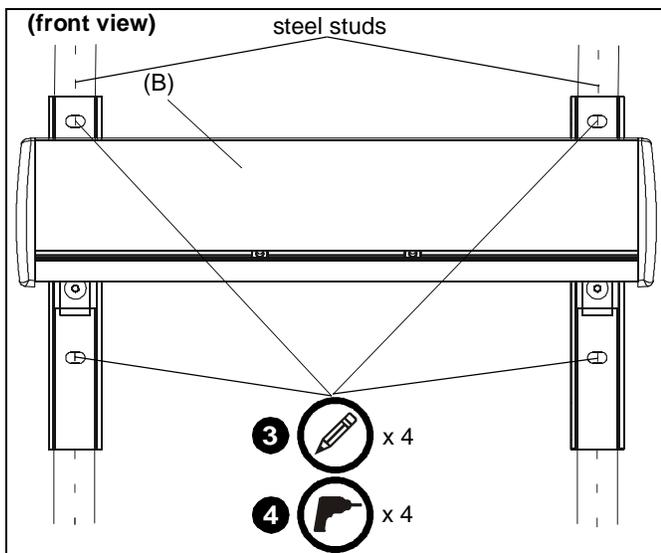


Figure 5

5. Hold metal channel on anchor (M) flat alongside plastic straps and slide channel through hole. (See Figure 6)

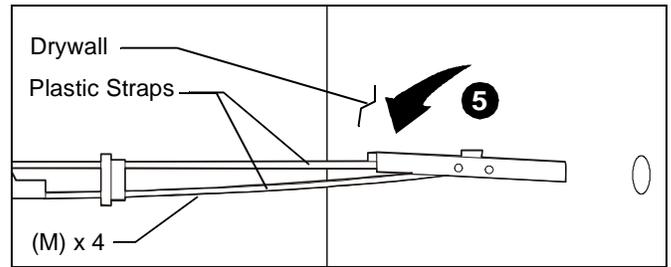


Figure 6

6. Holding plastic straps on anchor (M), pull anchor away from wall until channel rests flush behind wall making sure anchor channel is positioned vertically on stud. (See Figure 7)
7. Slide plastic cap on anchor (M) towards wall until flange of cap is flush with wall. (See Figure 7)

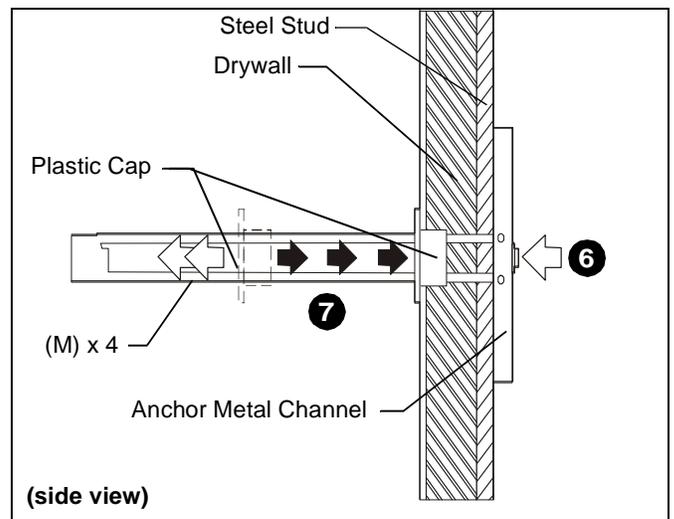


Figure 7

8. Snap off plastic straps on anchor at wall by pushing side to side, snapping off straps level with flange of plastic cap. (See Figure 8)
9. Repeat Steps 5 through 8 for each mounting hole.

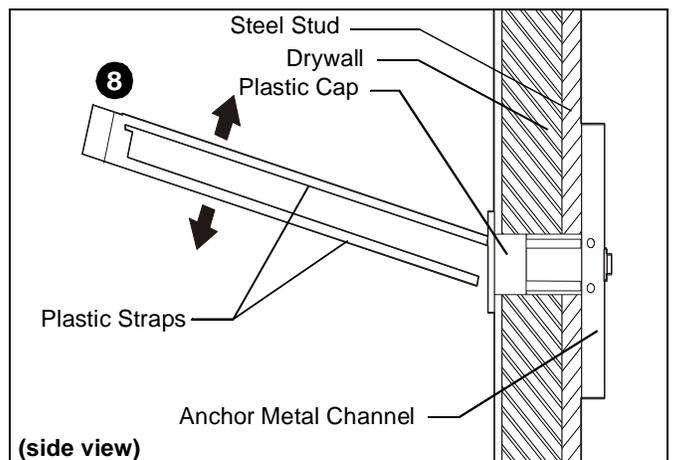


Figure 8

10. Place wall bracket over anchors and align mounting holes in wall bracket with holes in anchors. (See Figure 9)
11. Insert 1/4-20 x 1-3/4" Phillips pan head screws (L) through 1/4" washer (N), corresponding mounting hole on wall bracket and into anchor (M) and tighten until flush against mount. DO NOT overtighten! (See Figure 9)
12. Repeat Step 11 for remaining 3 mounting holes.



WARNING: IMPROPER INSTALLATION CAN LEAD TO EQUIPMENT FALLING CAUSING SERIOUS PERSONAL INJURY OR DAMAGE TO EQUIPMENT! Overtightening of mounting hardware can damage the steel studs. DO NOT overtighten mounting hardware!

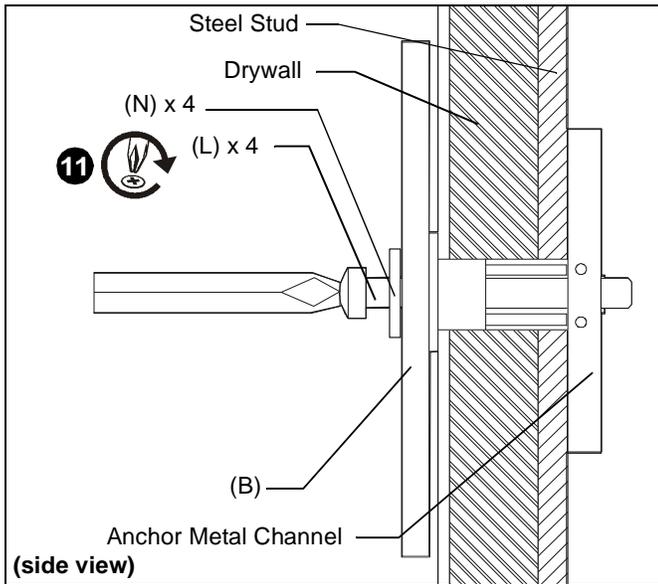


Figure 9

Installation to Wall Bracket

1. Lift short throw projector arm (A) up to wall bracket (B) and hook top plate onto cross bracket on wall bracket. (See Figure 10)

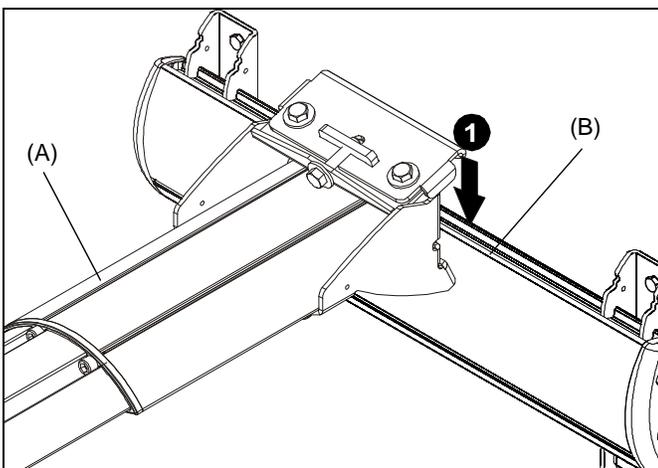


Figure 10

2. Slide lower plate onto cross bracket on wall bracket. (See Figure 11)

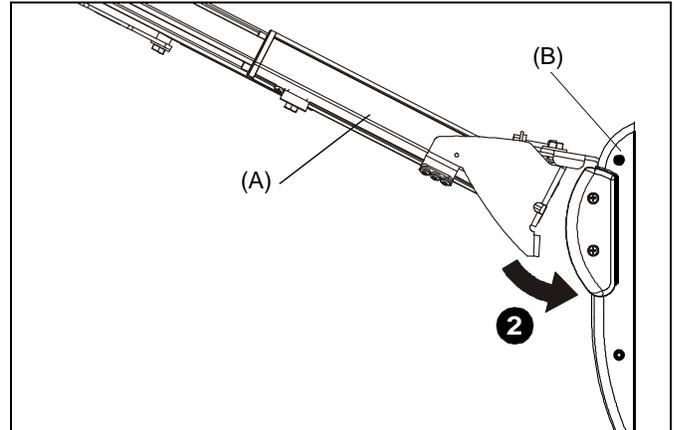


Figure 11

3. Install two 1/4-20 x 5/8" hex head bolts (T) through holes on short throw projector arm (A) and into sliding nuts on mounting bracket (B). DO NOT TIGHTEN SCREWS AT THIS POINT! (See Figure 12)

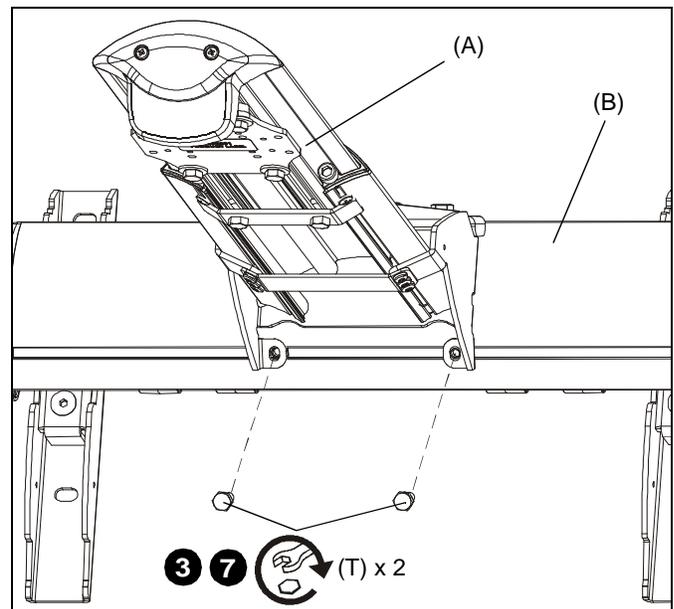


Figure 12

4. Loosen two bolts on either side of pitch adjustment screw. (See Figure 13)
5. Adjust pitch adjustment screw until mount is at desired pitch level. Turn clockwise to raise mounting level or turn counterclockwise to lower mounting level. (See Figure 13)
6. Tighten two bolts on either side of pitch adjustment screw. (See Figure 13)

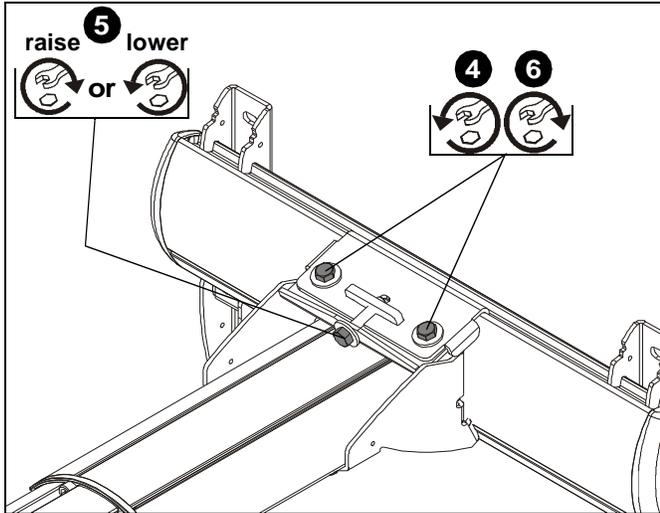


Figure 13

7. Tighten two bolts installed in Step 3. (See Figure 12)

Installing Mount Covers

1. Raise the lower cover (D) to wall mount and hold in place. (See Figure 14)

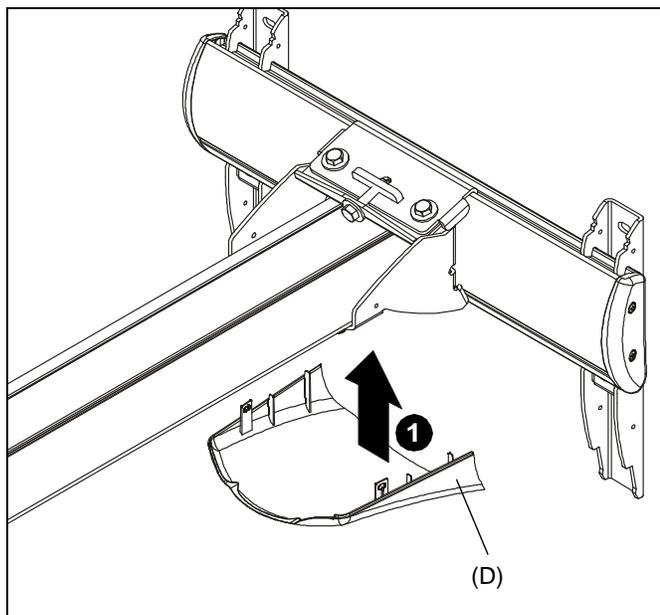


Figure 14

2. Lower the upper cover (C) onto the wall mount and fasten through upper cover (C), lower cover (D) and into wall mount with two 8-32 x 1/2" Phillips pan head screws (U). (See Figure 15)

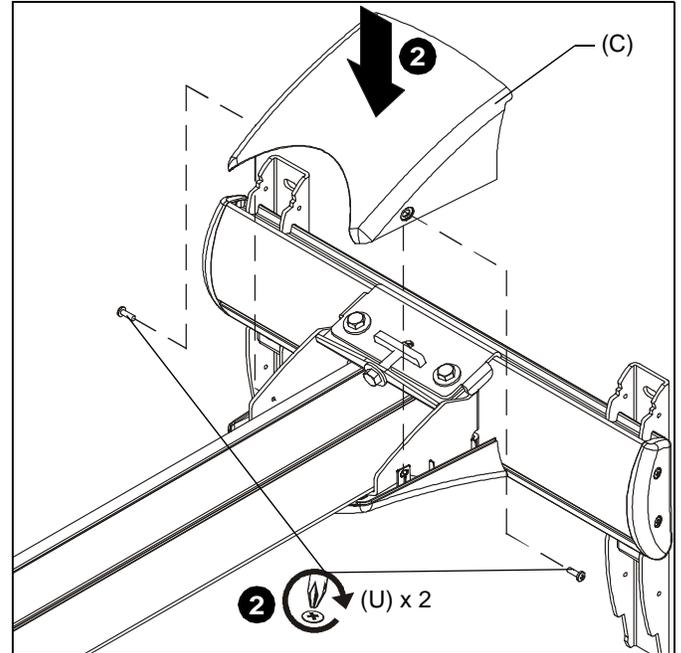


Figure 15

Projector Installation



WARNING: Exceeding the weight capacity can result in serious personal injury or damage to equipment! It is the installer's responsibility to make sure the combined weight of all components attached to the short throw projector mounts up to (and including) the projector does not exceed 25 lbs (11.34 kg) for the PRJ-WALLKIT-12.

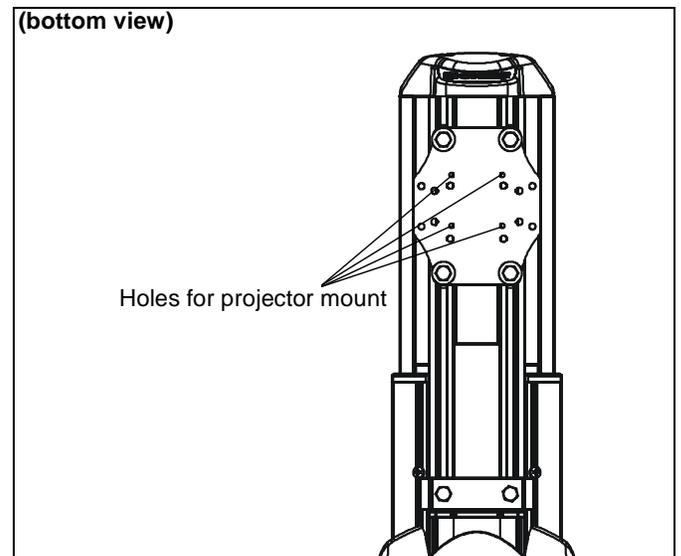


Figure 16

Projector Mount Installation

1. Line up mounting holes on projector mount (H) with corresponding holes on mounting plate. (See Figure 16)

2. Install four #10-24 x 1-3/8" Phillips pan machine screws (X) through projector mount holes and into mounting plate. (See Figure 17)

IMPORTANT ! : If projector mount is NOT installed in the same direction as shown, ROLL adjustment screws will be inaccessible! (See Figure 17)

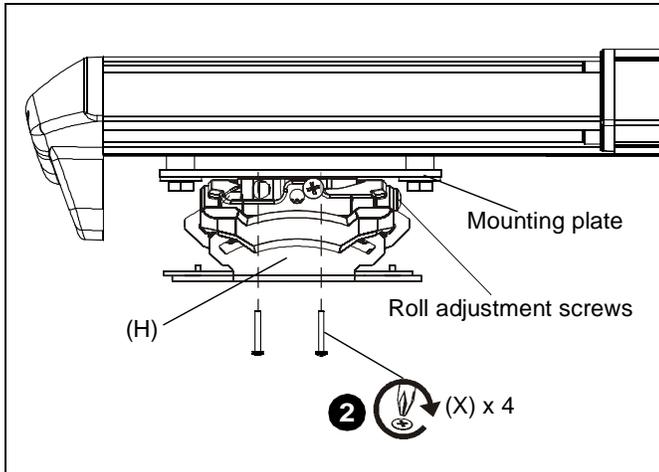


Figure 17

Projector Installation to Mount

WARNING: IMPROPER INSTALLATION CAN LEAD TO PROJECTOR FALLING RESULTING IN SERIOUS PERSONAL INJURY OR DAMAGE TO EQUIPMENT. DO NOT substitute hardware. Use only the hardware provided by the manufacturer.

1. Secure interface bracket (G) to top of InFocus projector (not included) using hardware and instructions included with the interface bracket.
2. Orient projector with interface bracket as shown. (See Figure 18)
3. Lift projector so that screws with thumb nuts are aligned with mounting slots in mount base.
4. Slide projector with interface bracket onto mounting slots in projector mount (H) until screws are seated against the back of mounting slots. (See Figure 18)

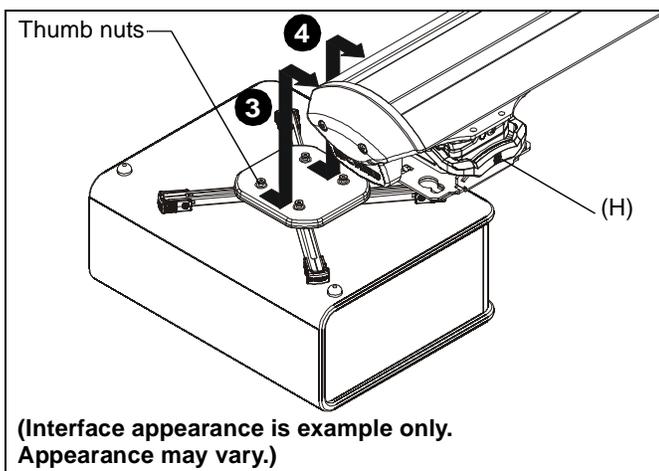


Figure 18

WARNING: IMPROPER INSTALLATION CAN LEAD TO PROJECTOR FALLING RESULTING IN SERIOUS PERSONAL INJURY OR DAMAGE TO EQUIPMENT. Make certain mounting slots in projector mount slide under thumb screws and that screws are seated in the back of slots.

5. Verify mounting screws are properly seated in mounting slots in projector mount. (See Figure 19)
6. Move locking lever to "locked" position. (See Figure 19)
7. Insert key into lock and turn to secure projector to mount. (See Figure 19)

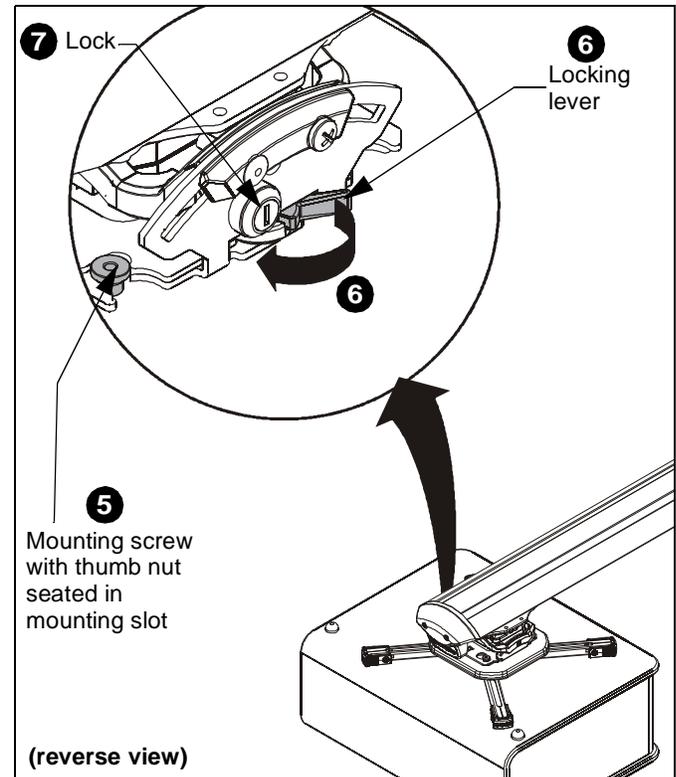


Figure 19

Projector Mount Adjustments

Yaw Adjustment

1. Loosen yaw adjustment locking screw using a #2 Phillips screwdriver. (See Figure 20)
2. Turn Yaw micro-adjustment screw right or left using a #2 Phillips screwdriver until image is properly aligned on target. (See Figure 20)
3. Tighten Yaw adjustment locking screw using a #2 Phillips screwdriver. (See Figure 20)

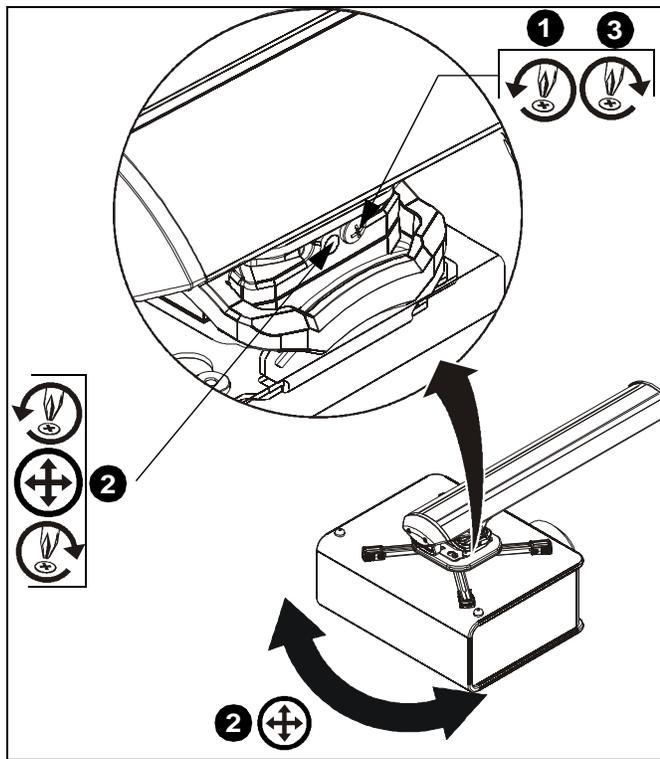


Figure 20

Pitch Adjustment

NOTE: Pitch can be adjusted using the projector mount or the pitch of the entire arm can be adjusted. See **Pitch Adjustment - Entire Arm** section for details.

1. Loosen Pitch adjustment locking screw using a #2 Phillips screwdriver. (See Figure 21)
2. Turn Pitch micro-adjustment screw right or left using a #2 Phillips screwdriver until image is properly aligned on target. (See Figure 21)
3. Tighten Pitch adjustment locking screw using a #2 Phillips screwdriver. (See Figure 21)

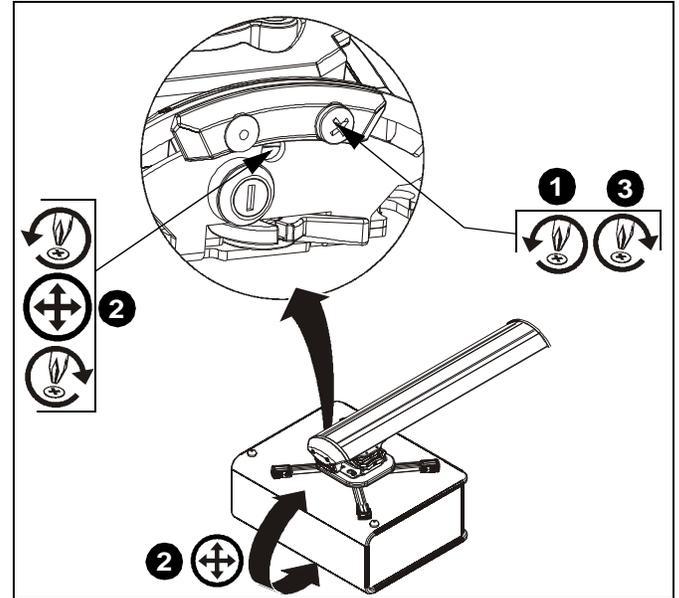


Figure 21

Roll Adjustment

1. Loosen ROLL adjustment locking screw using a #2 Phillips screwdriver. (See Figure 22)
2. Turn ROLL micro-adjustment screw right or left using a #2 Phillips screwdriver until image is properly aligned on target. (See Figure 22)
3. Tighten ROLL adjustment locking screw using a #2 Phillips screwdriver. (See Figure 22)

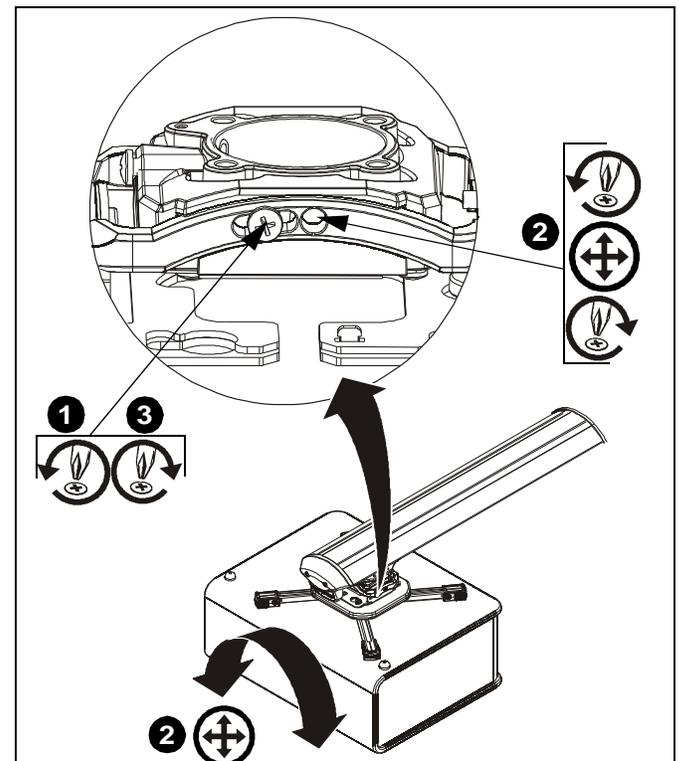


Figure 22

Cable Management (Optional)

In most cases, cable management covers will NOT need to be removed in order to route cables from projector to the wall mount. But for some thick cables, removing the covers may be necessary.

Removing Mount Covers

1. Remove and save two 8-32 x 1/2" Phillips pan head screws from upper cover. (See Figure 23)
2. Raise upper cover away from the mount. (See Figure 23)

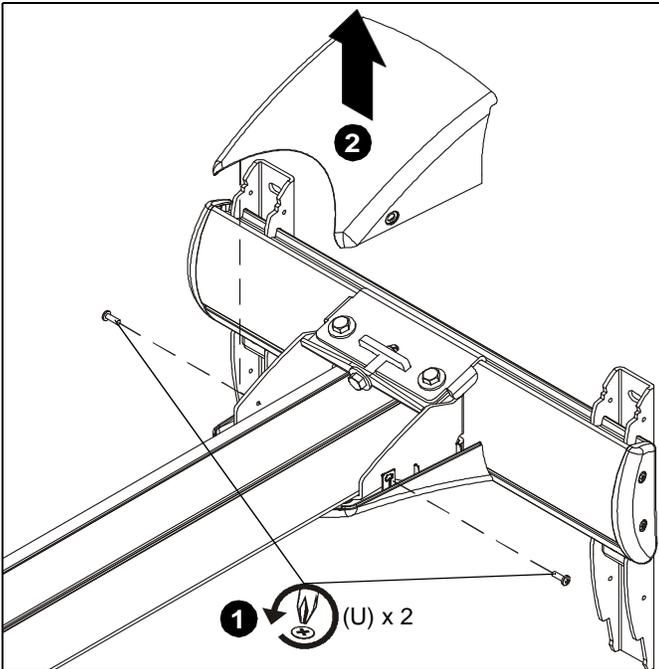


Figure 23

3. Remove lower cover from mount. (See Figure 24)

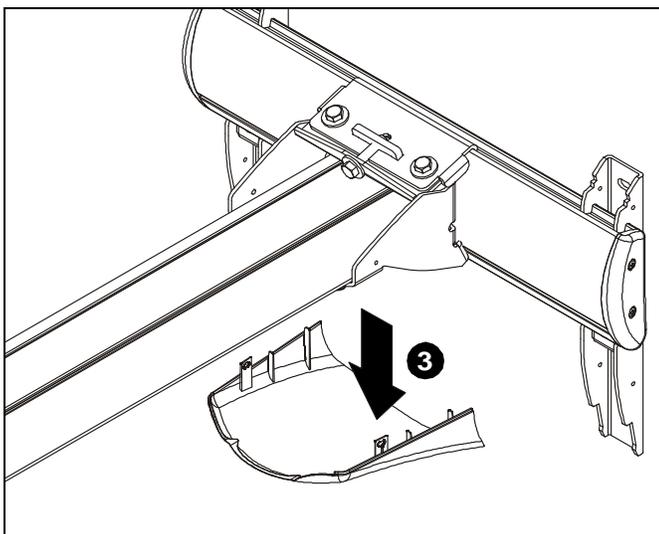


Figure 24

4. Remove cable management covers (if necessary) from short throw projector arm. (See Figure 25)

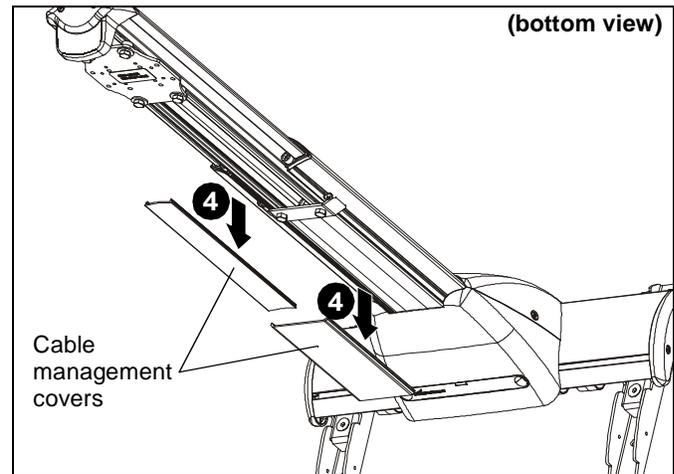


Figure 25

NOTE: Cables may be routed from below and up wall bracket channel, or from above and down behind and into wall mount.

- **Routing Cables from Below (Steps 5 and 6)**

5. Open cable clips along bottom edge of wall bracket. (See Figure 26)

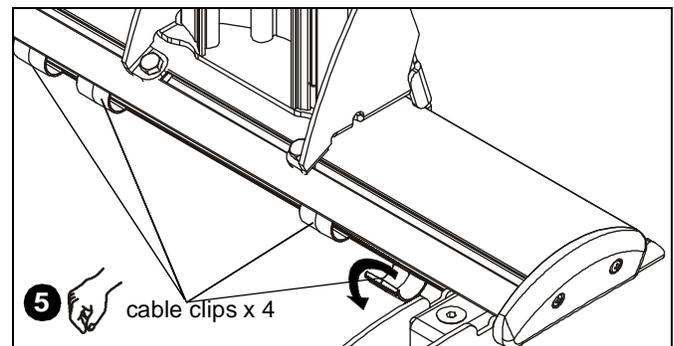


Figure 26

6. Thread cable up wall bracket channel and into opened cable clips. (See Figure 27) **Proceed to Step 8**

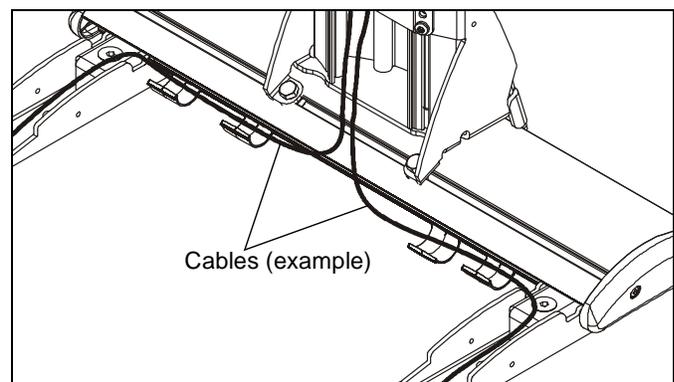


Figure 27

• **Routing Cables from Above (Step 7)**

7. Thread cables down through a surface mount cable accessory (not included), then behind and into the wall bracket. (See Figure 28) **Proceed to Step 8**

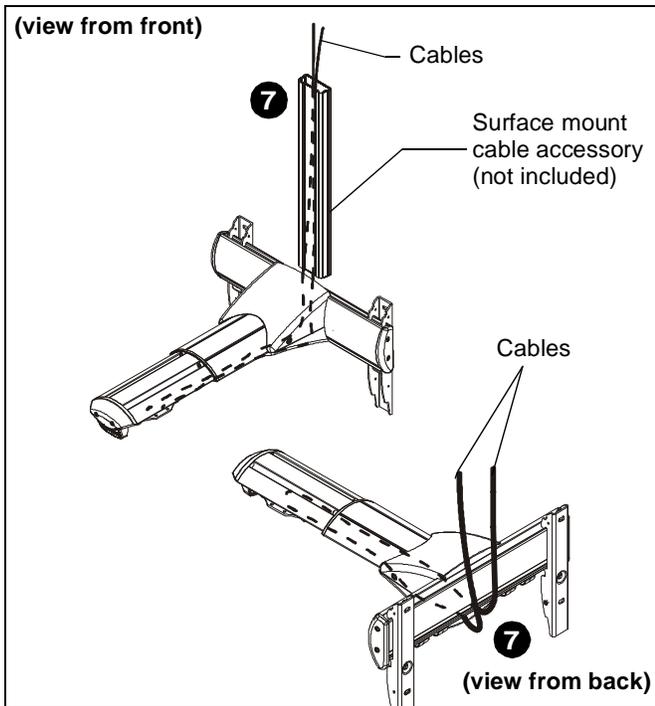


Figure 28

8. Route cables through cover mount, projector arm tunnel and into projector. (See Figure 29)

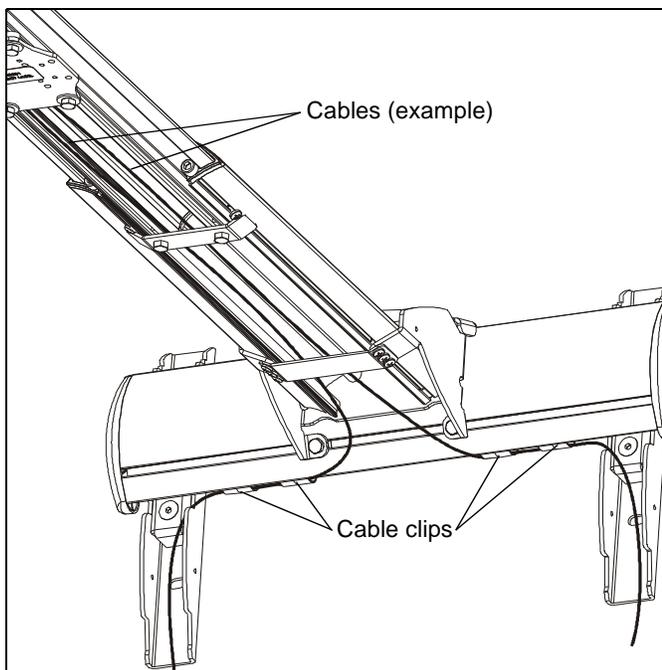


Figure 29

9. **(Optional)** Cables can be tied to inside of projector's front cover using cable ties (not included). Route cables near front cover and wrap cable tie through slots on front cover and around cables. (See Figure 30)

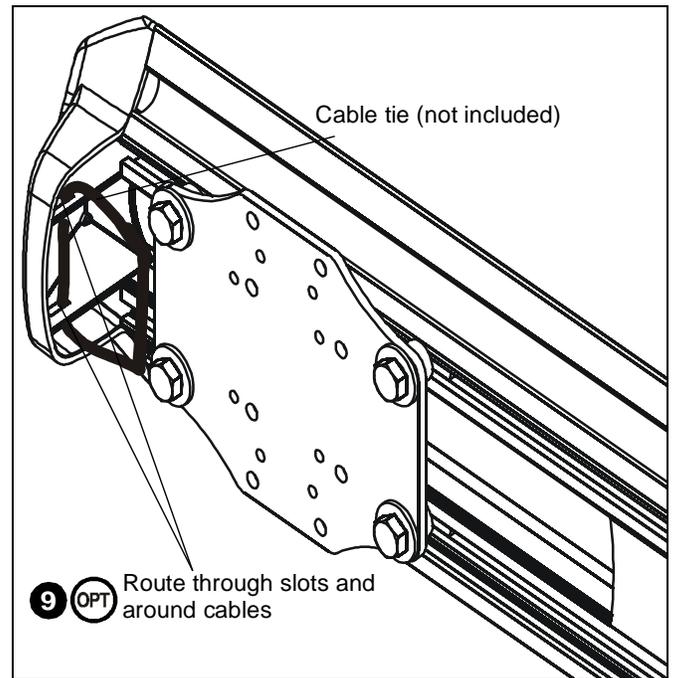


Figure 30

10. Replace removed cable management covers (if necessary). Insert one side of cover into groove and press firmly on the cover on the other side until it snaps into the other groove. (See Figure 31)

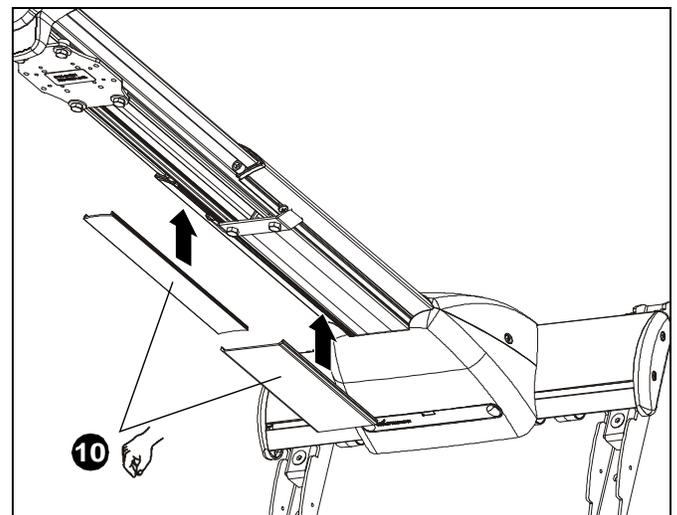


Figure 31

11. Return outer covers to the mount following instructions in **Installing Mount Covers** section.

Installation of Wall Bracket Covers

NOTE: If security screws are going to be used, use the security screws (R) to install wall bracket covers. See **Security Screw Installation** section for details.

1. Place wall bracket top covers (E) over top of each wall bracket arm. (See Figure 32)

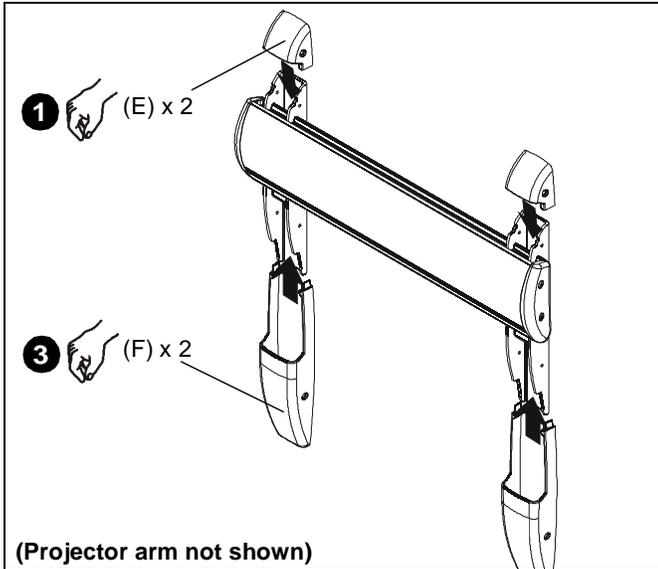


Figure 32

2. Secure wall bracket top covers (E) to wall bracket arms by installing four #8-32 x 1/2" Phillips pan machine screws (U) through holes in covers and wall bracket. (See Figure 33)
3. Place wall bracket bottom covers (F) over bottom of each wall bracket arm. (See Figure 32)
4. Secure wall bracket bottom covers (F) to wall bracket arms by installing four #8-32 x 1/2" Phillips pan machine screws (U) through holes in covers and wall bracket. (See Figure 33)

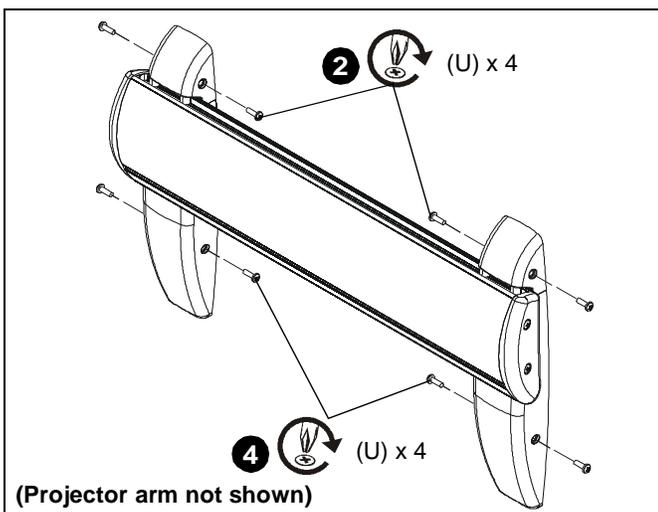


Figure 33

Adjustments

Bracket Width Adjustment

1. Loosen two flat head cap screws on wall bracket. (See Figure 34)
2. Slide wall brackets to corresponding width of studs. (See Figure 34)
3. Tighten two flat head cap screws on wall bracket. (See Figure 34)

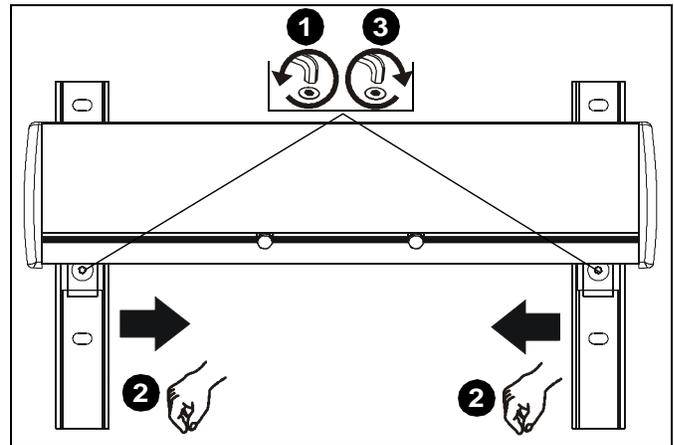


Figure 34

Pitch Adjustment

IMPORTANT ! : The mount covers need to be removed before proceeding with pitch adjustment.

NOTE: Remove mount covers from the mount following instructions in **Removing Mount Covers** section.

1. Loosen two 1/4-20 x 5/8" hex head cap screws (T) on underside of mounting bracket. (See Figure 35)

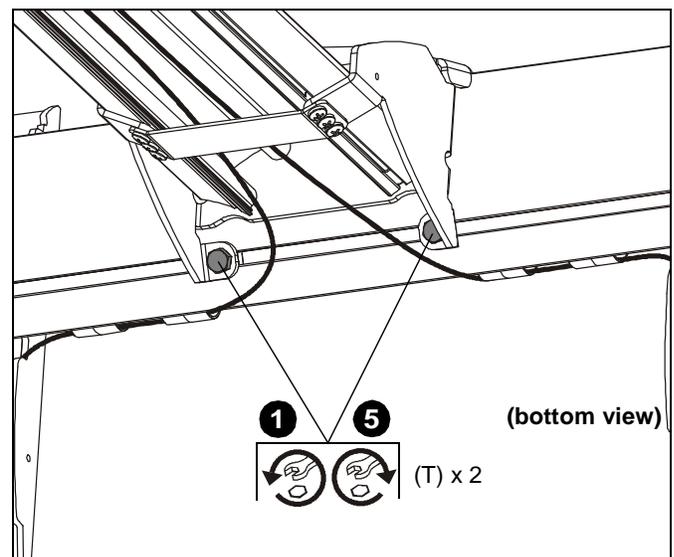


Figure 35

2. Loosen two bolts on either side of pitch adjustment screw. (See Figure 36)
3. Adjust pitch adjustment screw until mount is at desired pitch level. Turn clockwise to raise mounting level or turn counterclockwise to lower mounting level. (See Figure 36)
4. Tighten two bolts on either side of pitch adjustment screw. (See Figure 36)
5. Tighten two 1/4-20 x 5/8" screws (T) on underside of mounting bracket. (See Figure 35)

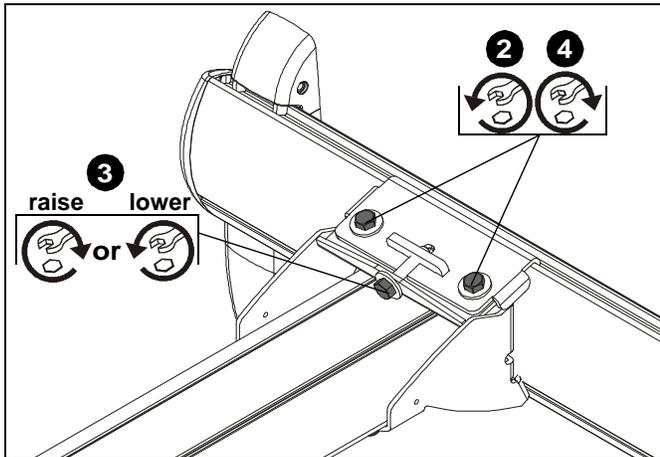


Figure 36

6. Return outer covers to the mount following instructions in **Installing Mount Covers** section.

Extension Adjustment

1. Loosen two bolts holding stop bracket in place on underside of short throw projector mount. (See Figure 37)
2. Adjust mount to desired extension length. (See Figure 37)
3. Tighten two bolts holding stop bracket to secure mount in desired position. (See Figure 37)

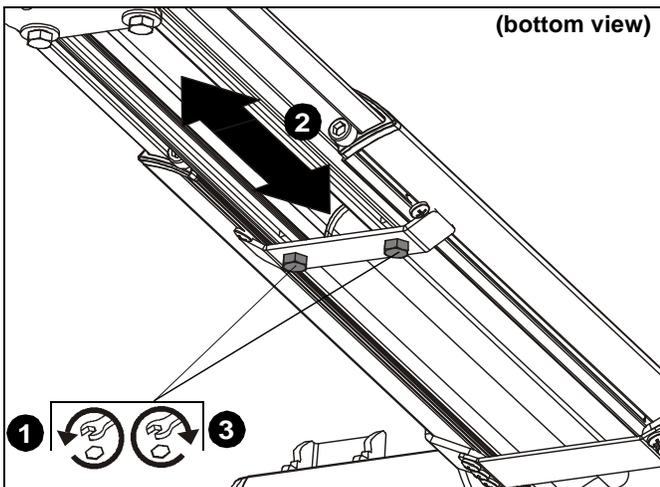


Figure 37

Lateral Shift Adjustment

IMPORTANT ! : The mount covers need to be removed before proceeding with lateral shift adjustment.

NOTE: Remove mount covers from the mount following instructions in **Removing Mount Covers** section.

1. Loosen two 1/4-20 x 5/8" hex head cap screws (T) on underside of mounting bracket. (See Figure 38)
2. Adjust projector arm laterally to desired position. (See Figure 38)
3. Tighten two 1/4-20 x 5/8" hex head cap screws loosened in Step 1. (See Figure 38)

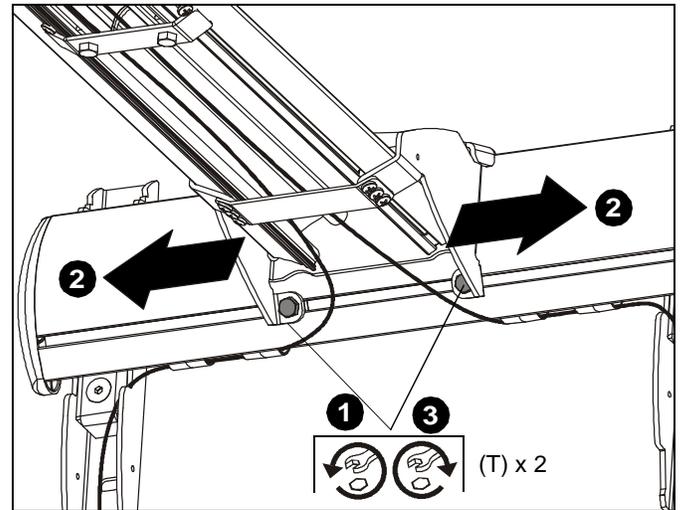


Figure 38

4. Return outer covers to the mount following instructions in **Installing Mount Covers** section.

Security Screw Installation (Optional)

Wall Bracket Covers

1. Remove eight #8-32 x 1/2" Phillips pan machine screws (U) from wall bracket covers. (See Figure 39)

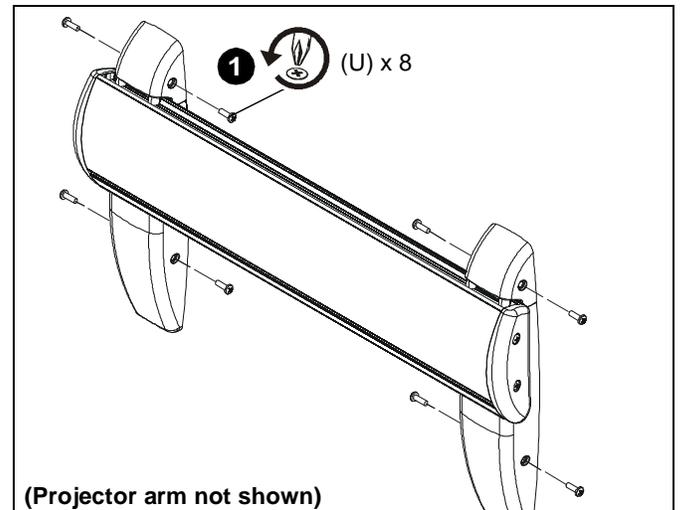


Figure 39

2. Install eight #8-32 x 1/2" button head security screws (R) into holes in wall bracket covers. (See Figure 40)

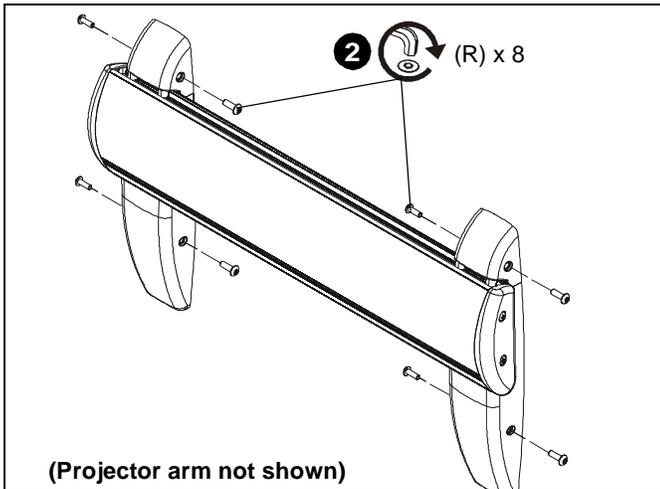


Figure 40

Mount Covers

1. Remove two #8-32 x 1/2" Phillips pan machine screws (U) holding mount covers on projector arm. (See Figure 41)
2. Install two #8-32 x 1/2" button head security screws (R) into holes on mount cover. (See Figure 41)

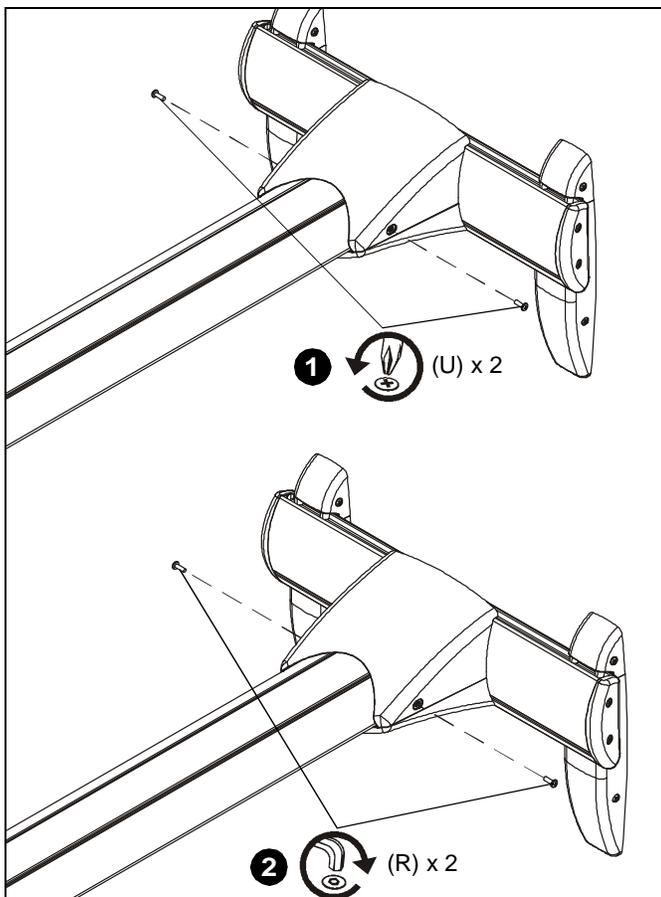


Figure 41

Stop Bracket

1. Remove two bolts holding stop bracket in place on underside of short throw projector mount. (See Figure 42)

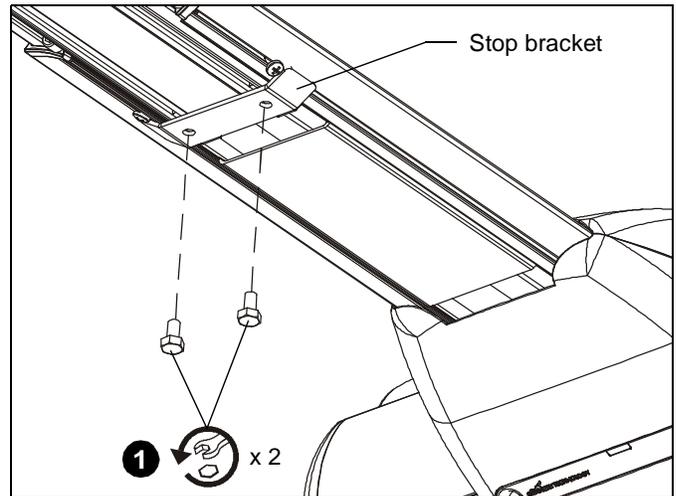


Figure 42

2. Install two 1/4-20 x 1/2" button head security screws (P) through holes in stop bracket and into holes in sliding nuts. (See Figure 43)

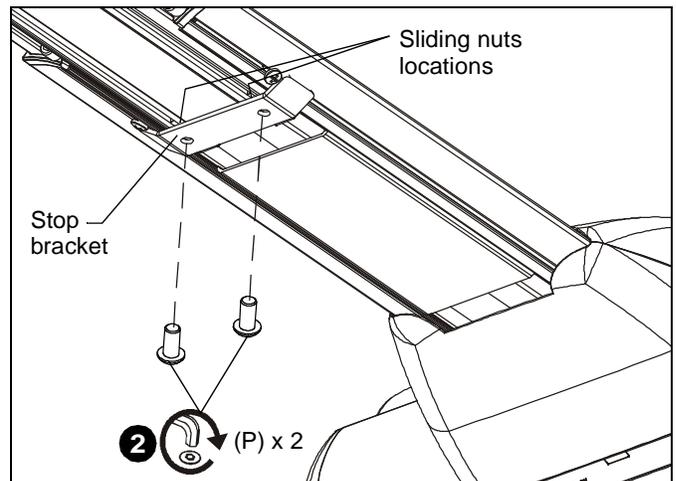


Figure 43

Adapter Plate Bolts

1. (Optional) Remove projector from short throw projector mount according to projector interface instructions.

NOTE: For most projectors, it will be necessary to remove projector prior to install four security screws to projector bracket. For ease of installation, it is recommended to remove projector prior to performing the following steps.

- Remove one of four bolts from adapter plate. (See Figure 44)

Reinstall projector to mount. Refer to **Projector Installation to Mount** section for details.



WARNING: It is important to replace adapter plate bolts **ONE AT A TIME** or adapter plate could fall from mount during installation!

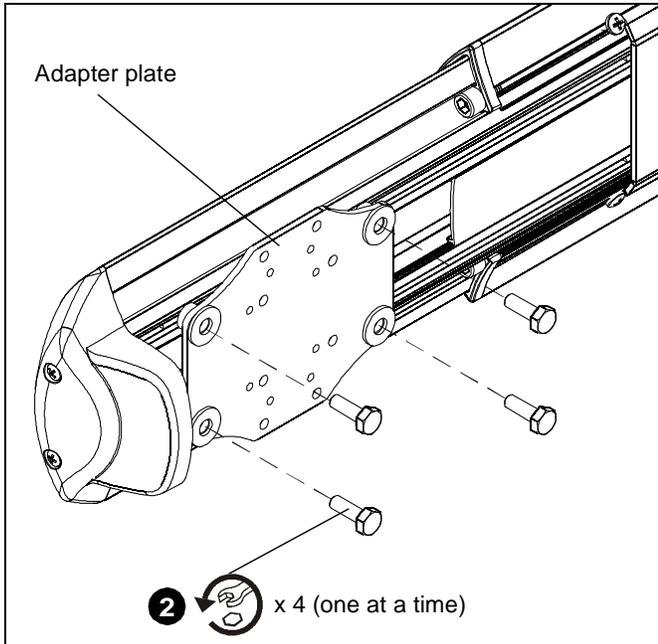


Figure 44

- Install one 1/4-20 x 3/4" button head security screw (Q) into hole vacated by removing bolt in Step 2 and into plastic spacer. (See Figure 45)
- Repeat Steps 2-3 for remaining three bolts one bolt at a time.

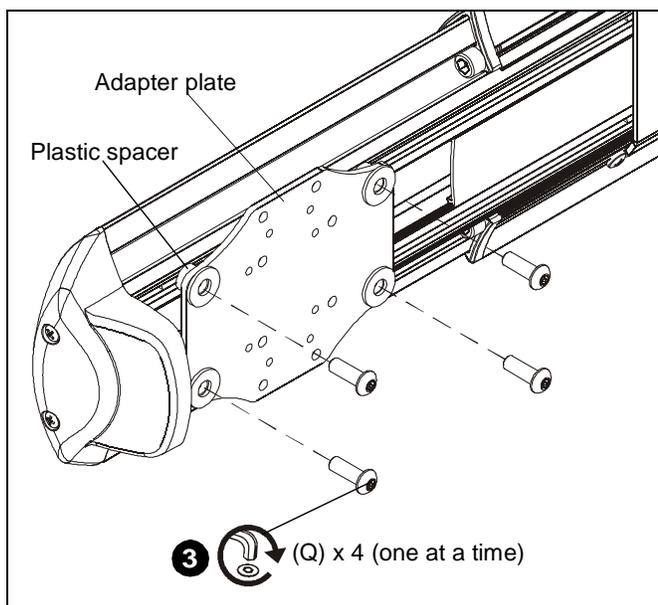


Figure 45

InFocus

8800-002229 Rev00
©2012 InFocus Corporation
www.infocus.com
09/12

InFocus Corporation

13190 SW 68th Parkway, Ste 200
Portland, OR 97223

