

Intellislade™

LET THE LEARNING BEGIN

Fast Start Installation Guide - Mac

Version 1.0

Items Included:

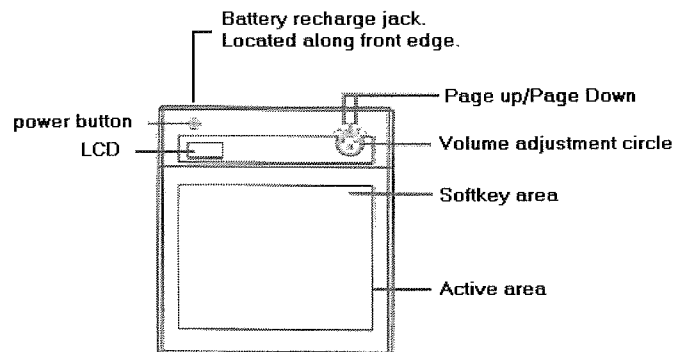
- Intellislade Tablet (1)
- Receiver Dongle (1)
- Electronic Pen and AAA Battery (1)
- Extra Pen Tips (2)
- Pen Tweezers (1)
- Installation CDs (2) for Windows and Mac
- Quick Start Guide (2) for Windows and Mac
- USB Recharge Cable (1)

Please read all instructions carefully before proceeding.

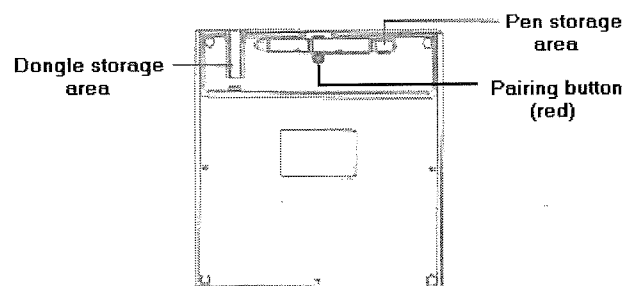
The battery should be fully charged from the factory, but it is recommended that you connect one end of the usb recharge cable to the Intellislade unit and the remaining end of the cable to an available usb port on the computer. A full battery recharge should take no longer than two hours. The fully charged battery has a 16 hour life expectancy.

Tablet Overview:

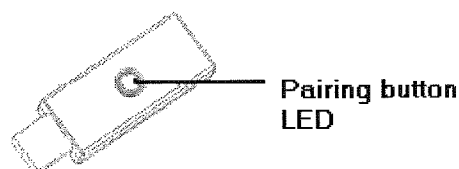
Front side



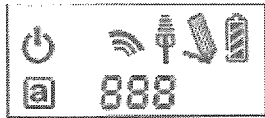
Back side



Receiver Dongle



LCD



Power on indicator: After pressing the power button for 3 seconds, this icon will be displayed.



Battery indicator: This icon displays the four levels of the battery charge.



Active: The Intellislate unit will go into a power saving mode when the pen is off the active area for more than 3 seconds. This icon will be hidden when the unit is in a power saving mode.



Connection indicator: This icon is displayed when the Intellislate unit is paired to the receiver dongle.



Token ring: This icon indicates that the Intellislate unit is authorized by the receiver dongle to send a data packet.



Interaction between the pen and the Intellislate unit.

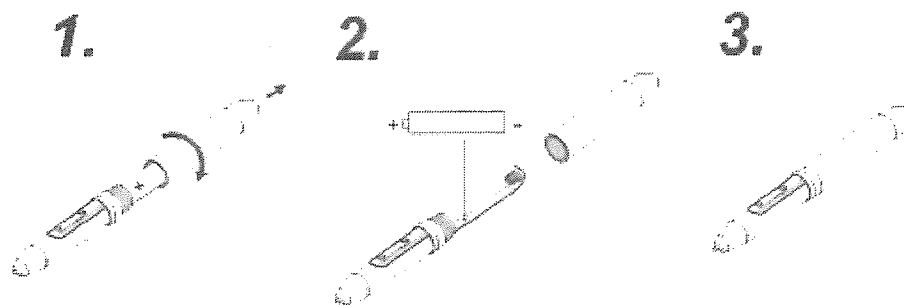
- Blinking: Indicates that the pen is in the active area.
- Still: The pen tip has been pressed down on the active area.



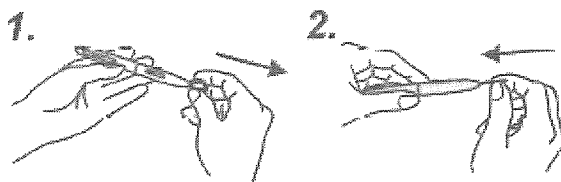
ID number: One receiver dongle can connect to more than one Intellislate unit. When multiple units are connected, this display indicates the ID number of the Intellislate unit.

Changing the pen battery:

Note: The pen can only be used with a AAA alkaline type battery.



Changing the pen tip



Software Installation:

1. Insert the CD entitled "Intellislate Mac".
2. Follow the installation instructions.
3. Restart the computer.
4. Once the computer has restarted, plug the receiver dongle into an available usb port on the computer.
5. Power on the Intellislate unit by pressing the power button for at least three seconds.
6. Depress the pen tip so that it is no longer in a power saving (sleep mode).
7. Place the pen in the active area. You should now have screen pointer control as you move the pen around in the active area.

After the Software Installation

- The Digital Presentation Appliance software installation creates a folder on the hard drive. The location for this folder is **Macintosh HD>Applications>Intellislate**

Refer to the online Help guide to proceed with using your Intellislate product.

Pairing instructions:

Note: The Intellislate unit and the receiver dongle are shipped from the factory as paired devices.

1. Plug the receiver dongle into an available usb port on the computer.
2. Press the power button on the Intellislate unit for three seconds.
3. Press the pairing button (red) on the back of Intellislate unit and on the receiver dongle at the same time.
4. Release the pairing buttons.
5. The LCD indicator on the Intellislate unit and the blue LED on the receiver dongle will blink.
6. Once the pairing is successful, the number on the LCD unit will display the ID number for the Intellislate unit.

Intellislate Application Software

Located along the top edge of the product are 14 Softkeys. The Softkeys are used to access the Presentation Tools and Virtual Whiteboard application.



Touching the Softkey icons with the electronic Pen provides direct access to the pre-defined set of presentation tools.

Next	(Advance to next slide in PowerPoint)
Previous	(Go to previous slide in PowerPoint)
Stop	(Exit PowerPoint or release a selected Presentation Tool)
Annotation Pen	(Default Color = Red)
Annotation Pen	(Default Color = Blue)
Highlighter	(Default Color = Yellow)
Eraser	(Default Erasure Width = 15 pixels)
Clear Screen	
Reveal	
Spotlight	
Snapshot	
Virtual Keyboard	
Selections / On-line Help	
Virtual Whiteboard	

Only the annotation pen, highlighter and the eraser may be customized. To customize these tools, click on the “?” Softkey icon.