

# Intellislate™

LET THE LEARNING BEGIN

## Fast Start Installation Guide - Windows

Version 1.0

### Items Included:

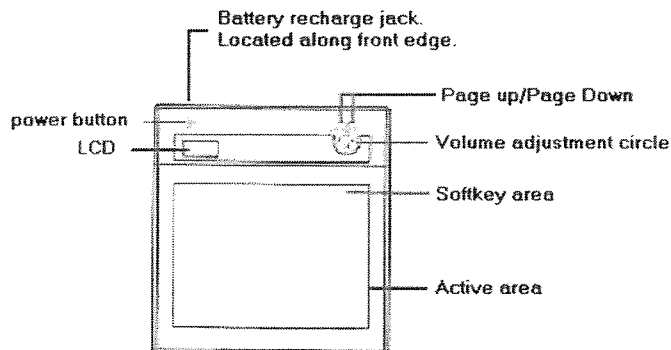
- Intellislate Tablet (1)
- Receiver Dongle (1)
- Electronic Pen and AAA Battery (1)
- Extra Pen Tips (2)
- Pen Tweezers (1)
- Installation CDs (2) for Windows and Mac
- Quick Start Guide (2) for Windows and Mac
- USB Recharge Cable (1)

Please read all instructions carefully before proceeding.

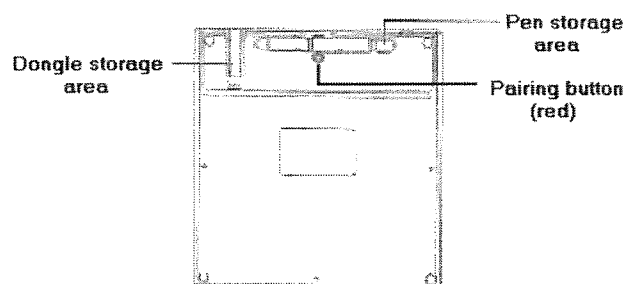
The battery should be fully charged from the factory, but it is recommended that you connect one end of the usb recharge cable to the Intellislate unit and the remaining end of the cable to an available usb port on the computer. A full battery recharge should take no longer than two hours. The fully charged battery has a 16 hour life expectancy.

### Tablet Overview:

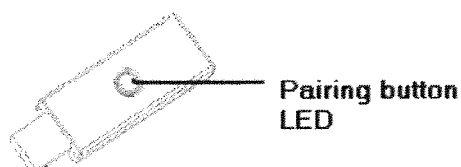
#### Front side



#### Back side



### Receiver Dongle



## LCD



Power on indicator: After pressing the power button for 3 seconds, this icon will be displayed.



Battery indicator: This icon displays the four levels of the battery charge.



Active: The Intellislate unit will go into a power saving mode when the pen is off the active area for more than 3 seconds. This icon will be hidden when the unit is in a power saving mode.



Connection indicator: This icon is displayed when the Intellislate unit is paired to the receiver dongle.



Token ring: This icon indicates that the Intellislate unit is authorized by the receiver dongle to send a data packet.



Interaction between the pen and the Intellislate unit.

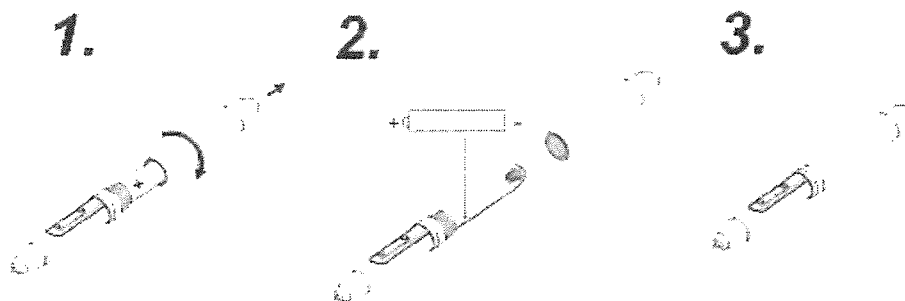
- Blinking: Indicates that the pen is in the active area.
- Still: The pen tip has been pressed down on the active area.



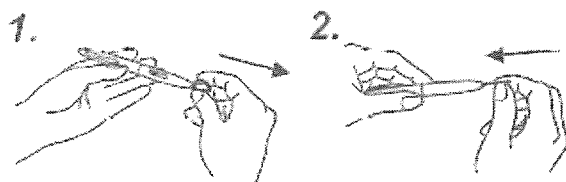
ID number: One receiver dongle can connect to more than one Intellislate unit. When multiple units are connected, this display indicates the ID number of the Intellislate unit.

## Changing the pen battery:

Note: The pen can only be used with a AAA alkaline type battery.



## Changing the pen tip



## Software Installation:

1. Insert the CD entitled "Intellislate". Please note that there is another CD entitled "Intellislate Mac" This CD is to be *used only* for Mac computers.
2. Follow the installation instructions. The serial number for the software will be located on a label which is affixed to the front of the CD jacket.
3. Restart the computer.
4. Once the computer has restarted, plug the receiver dongle into an available usb port on the computer.
5. Power on the Intellislate unit by pressing the power button for at least three seconds.
6. Depress the pen tip so that it is no longer in a power saving (sleep mode).
7. Place the pen in the active area. You should now have screen pointer control as you move the pen around in the active area.

Refer to the online Help guide to proceed with using your Intellislate.

## Pairing instructions:

**Note: The Intellislate unit and the receiver dongle are shipped from the factory as paired devices.**

1. Plug the receiver dongle into an available usb port on the computer.
2. Press the power button on the Intellislate unit for three seconds.
3. Press the pairing button (red) on the back of Intellislate unit and on the receiver dongle at the same time.
4. Release the pairing buttons.
5. The LCD indicator on the Intellislate unit and the blue LED on the receiver dongle will blink.
6. Once the pairing is successful, the number on the LCD unit will display the ID number for the Intellislate unit.

## Intellislate Application Software

Located along the top edge of the product are 14 Softkeys. The Softkeys are used to access the Presentation Tools and Virtual Whiteboard application.



Touching the Softkey icons with the electronic Pen provides direct access to the pre-defined set of presentation tools.

Next	(Advance to next slide in PowerPoint)
Previous	(Go to previous slide in PowerPoint)
Stop	(Exit PowerPoint or release a selected Presentation Tool)
Annotation Pen	(Default Color = Red)
Annotation Pen	(Default Color = Blue)
Highlighter	(Default Color = Yellow)
Eraser	(Default Erasure Width = 15 pixels)
Clear Screen	
Reveal	
Spotlight	
Snapshot	
Virtual Keyboard	
Selections / On-line Help	
Virtual Whiteboard	

Only the annotation pen, highlighter and the eraser may be customized. To customize these tools, click on the “?” Softkey icon.

# General Troubleshooting Characteristics

---

Windows will display 3 possible icons in the systems Tray (Down by the clock in the lower right hand corner)



RED = Software is loaded



Yellow = Indicates communication with device drive.



Green = Device connected and communication has been established.

**Problem** — Windows displays and error when I try to open Virtual Whiteboard

**Solution** — Go to <http://www.adobe.com> and download Flash 9 or higher.

---

