



Intellitrac™

Moving whiteboards where they are needed

Intellitrac is designed to mount your favorite interactive whiteboard in front of your existing chalk or dry erase board. Simply slide it to the side, out of the way, and retain full use of your dry erase space.

The Intellitrac utilizes a very secure and durable dual-track system with rails that attach above and below an existing chalk or dry erase board. It accommodates a standard height 48 inch tall existing board with chalk tray up to 58.25" maximum.

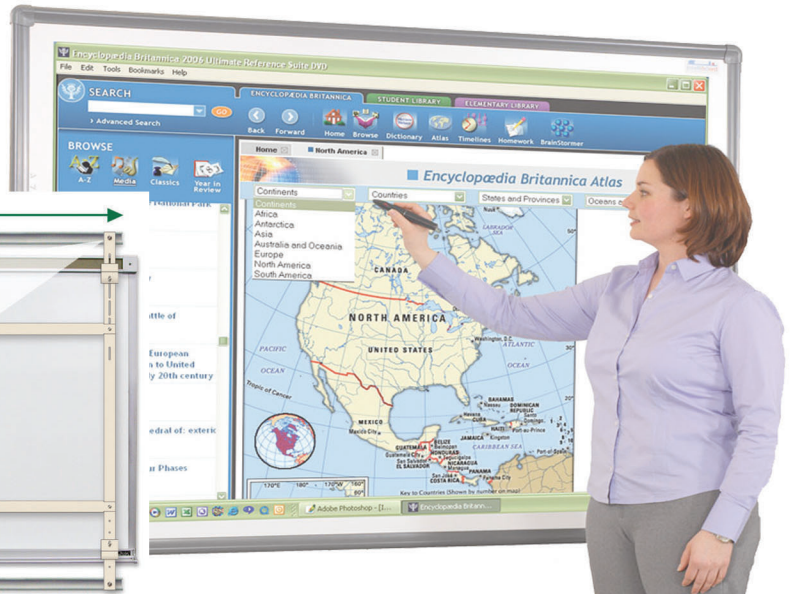
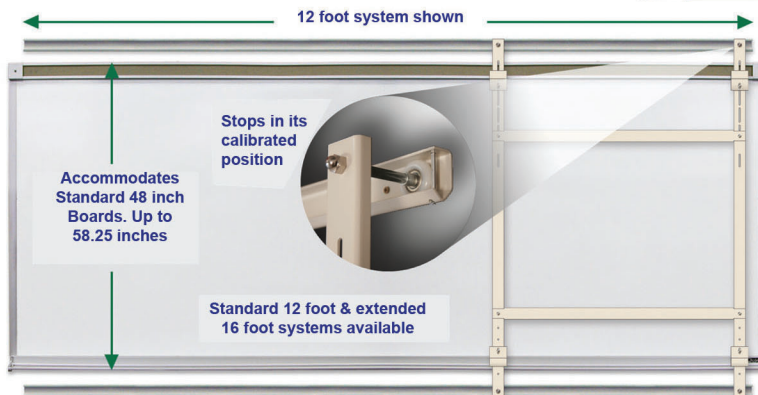
Intellitrac Product Features:

- High-tech laser manufacturing process
- Professional grade 5052 aluminum
- Oyster White epoxy powder coat finish
- 5 position height adjustment
- Board is secured with clip system

Intellitrac Benefits:

- ▶ Supports most major brands
 - Smart
 - Polyvision
 - Promethean
 - Hitachi
 - Interwrite
 - Numonics
- ▶ Easy to install and operate
- ▶ Maximize space and existing fixed writing boards
- ▶ Perfect for existing or new classrooms
- ▶ Retain existing fixed whiteboards
- ▶ Stationary "INTELLIMOUNT" system available

Intellitrac Specifications:



Numonics is a world class US manufacturer with 40 years experience in pioneering computer solutions for education and industry. Numonics is actively seeking qualified International and Domestic partners to distribute the Intellitrac system.



Numonics Corporation

101 Commerce Drive
 Montgomeryville, PA 18936
 Phone: (215) 362-2766
 Fax: (215) 361-0167
 URL: www.numonics.com
 Email: numonics@numonics.com



 Made in the USA.
 Patent pending